

Solar Hybrid

2014

Spare parts

Ersatzteile

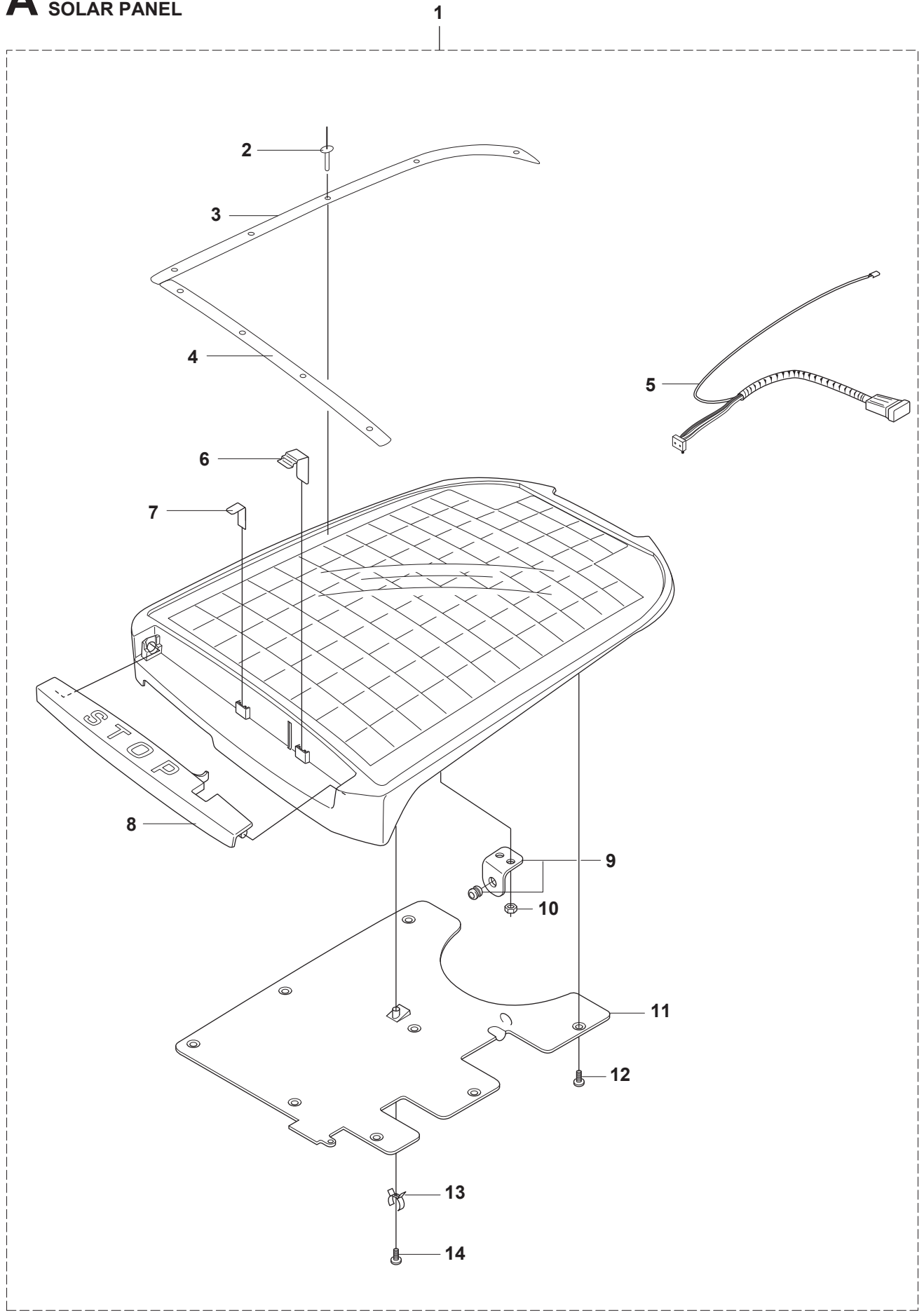
Pièces détachées

Reserve onderdelen

Repuestos

Reservdelar

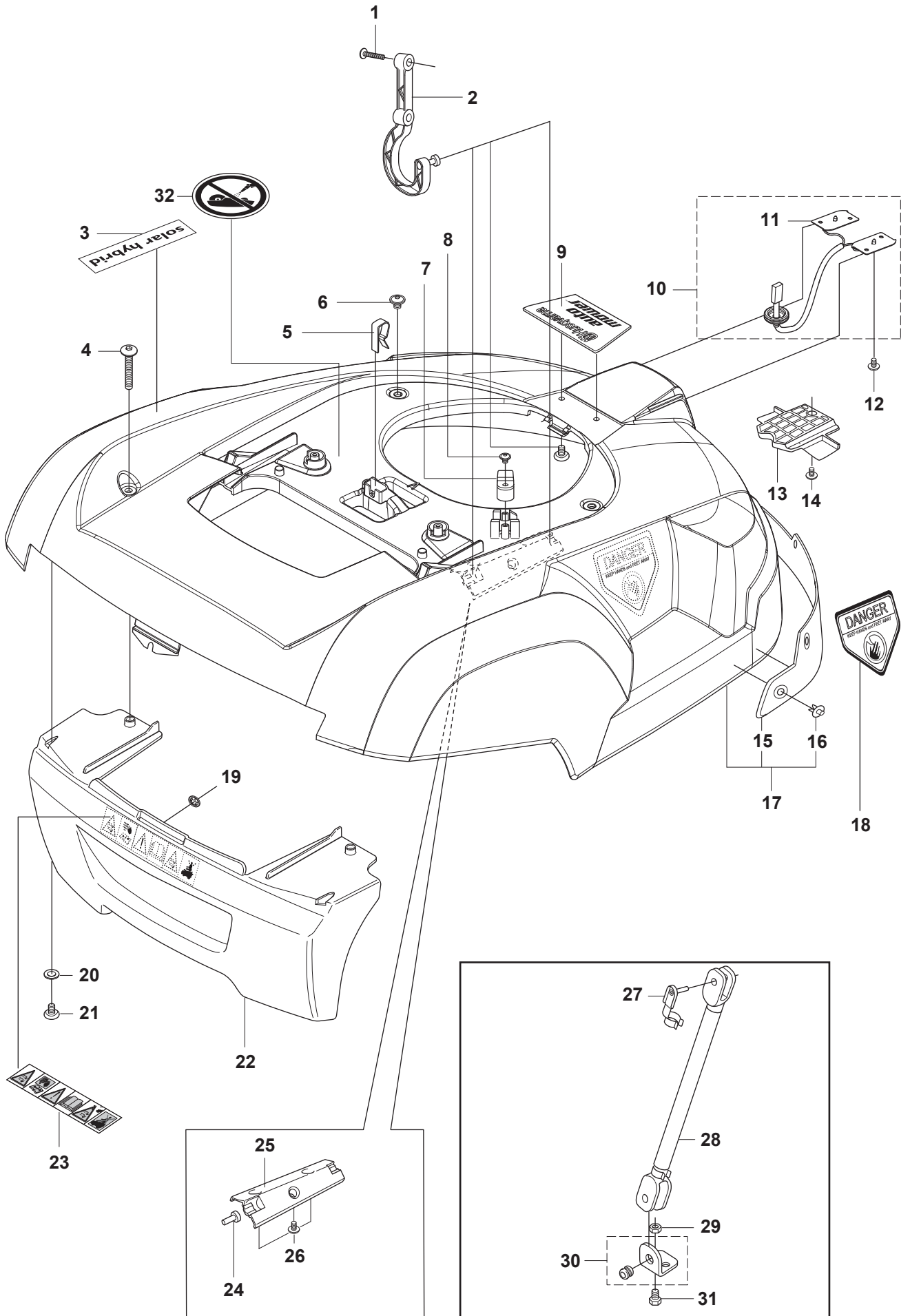
A AUTOMOWER SOLAR HYBRID SOLAR PANEL



Page A AUTOMOWER SOLAR HYBRID SOLAR PANEL

Position	Article	Quantity	Notes	Kit
1	504 62 68-02	1	SOLAR PANEL compl.	
2	505 16 16-02	14	RIVET	1
3	505 15 40-02	2	FRAME	1
4	510 16 66-01	1	FRAME	1
5	505 45 78-01	1	CABLE	1
6	504 62 72-01	1	LATCH	1
7	504 62 71-01	1	SPRING PLATE	1
8	504 62 70-01	1	BUTTON	1
9	504 70 34-02	1	BRACKET	1
10	732 21 16-01	1	NUT	1
11	504 87 76-01	1	COVER LID	1
12	575 54 33-12	9	SCREW	1
13	505 45 07-01	1	LATCH	1
14	502 85 96-01	1	SCREW	1

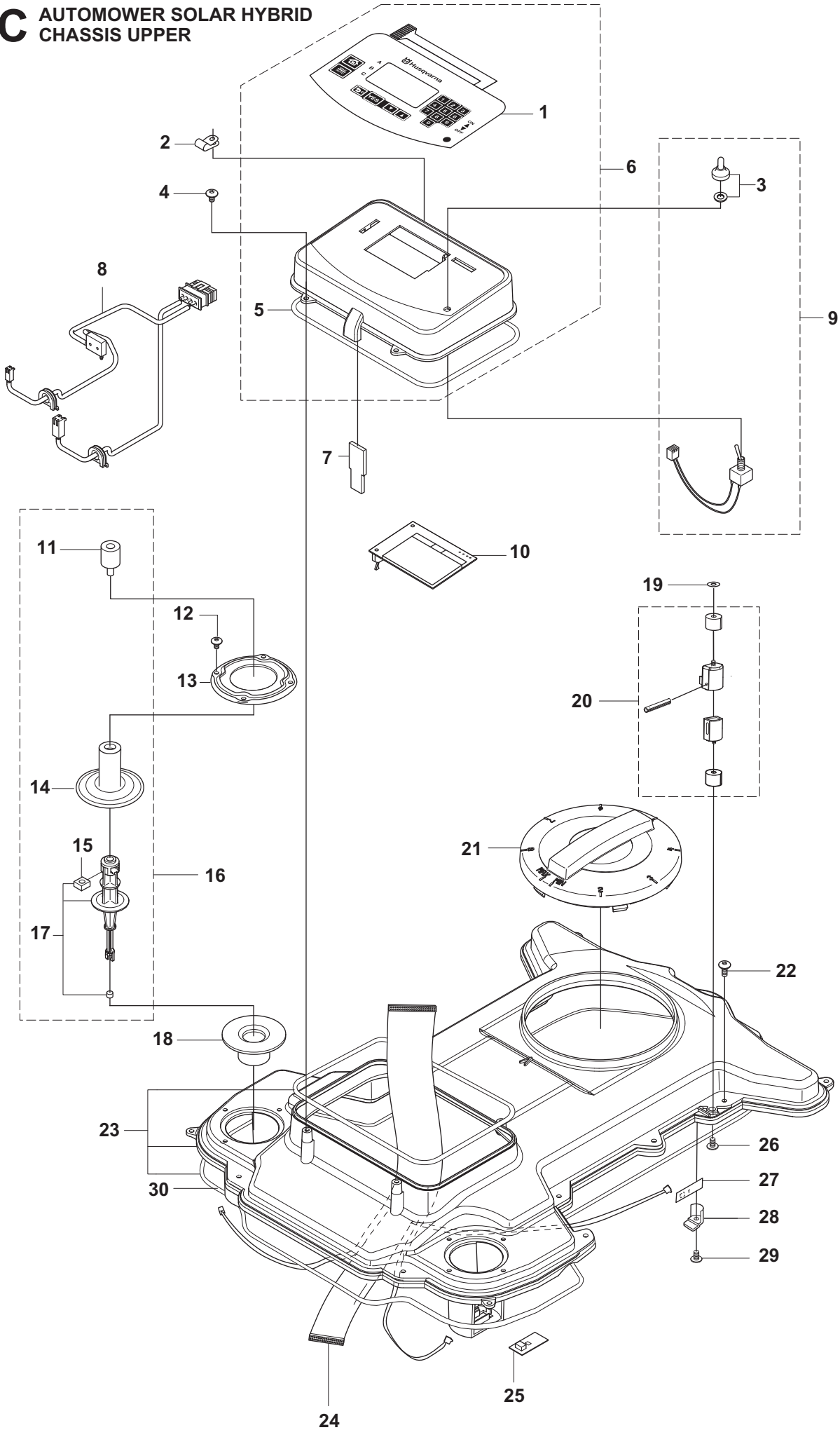
B AUTOMOWER SOLAR HYBRID COVER



Page B AUTOMOWER SOLAR HYBRID COVER

Position	Article	Quantity	Notes	Kit
1	575 54 33-14	2	SCREW	
2	504 62 73-01	2	HINGE	
3	580 79 94-01	1	DECAL	
4	535 12 93-05	2	SCREW IHANM	
5	535 08 98-01	1	CLIPS	
6	535 07 60-02	2	SCREW	
7	535 12 79-01	2	BRACKET	
8	575 54 33-14	2	SCREW	
9	504 87 78-01	1	PLATE	
10	535 13 73-01	1	WIRING compl	
11	535 13 59-01	2	CHARGING PLATE	10
12	575 54 33-06	2	SCREW	
13	505 13 14-01	1	SPACER	
14	575 54 33-12	1	SCREW	
15	544 90 71-02	1	BUMPER	17
16	535 08 09-01	6	RIVET	17
17	510 09 67-05	1	BODY compl	
18	513 99 61-00	2	DECAL (US/AU/NZ)	
19	514 96 79-00	1	STARLOCK WASHER	
20	734 11 37-41	2	WASHER	
21	575 54 33-14	2	SCREW	
22	574 43 09-01	1	BUMPER	
23	522 79 27-02	1	LABEL WARNING	
24	504 87 77-01	2	PIN	
25	504 62 74-01	1	BRACKET	
26	575 54 33-14	3	SCREW	
27	506 60 71-01	2	SPRINT	
28	504 72 31-01	1	GAS STRUT	
29	732 21 16-01	1	NUT	
30	504 70 34-02	2	BRACKET compl	
31	725 53 66-05	1	SCREW IHSCM	
32	586 29 10-01	1	WARNING LABEL "Do not wash" (10 pcs)	

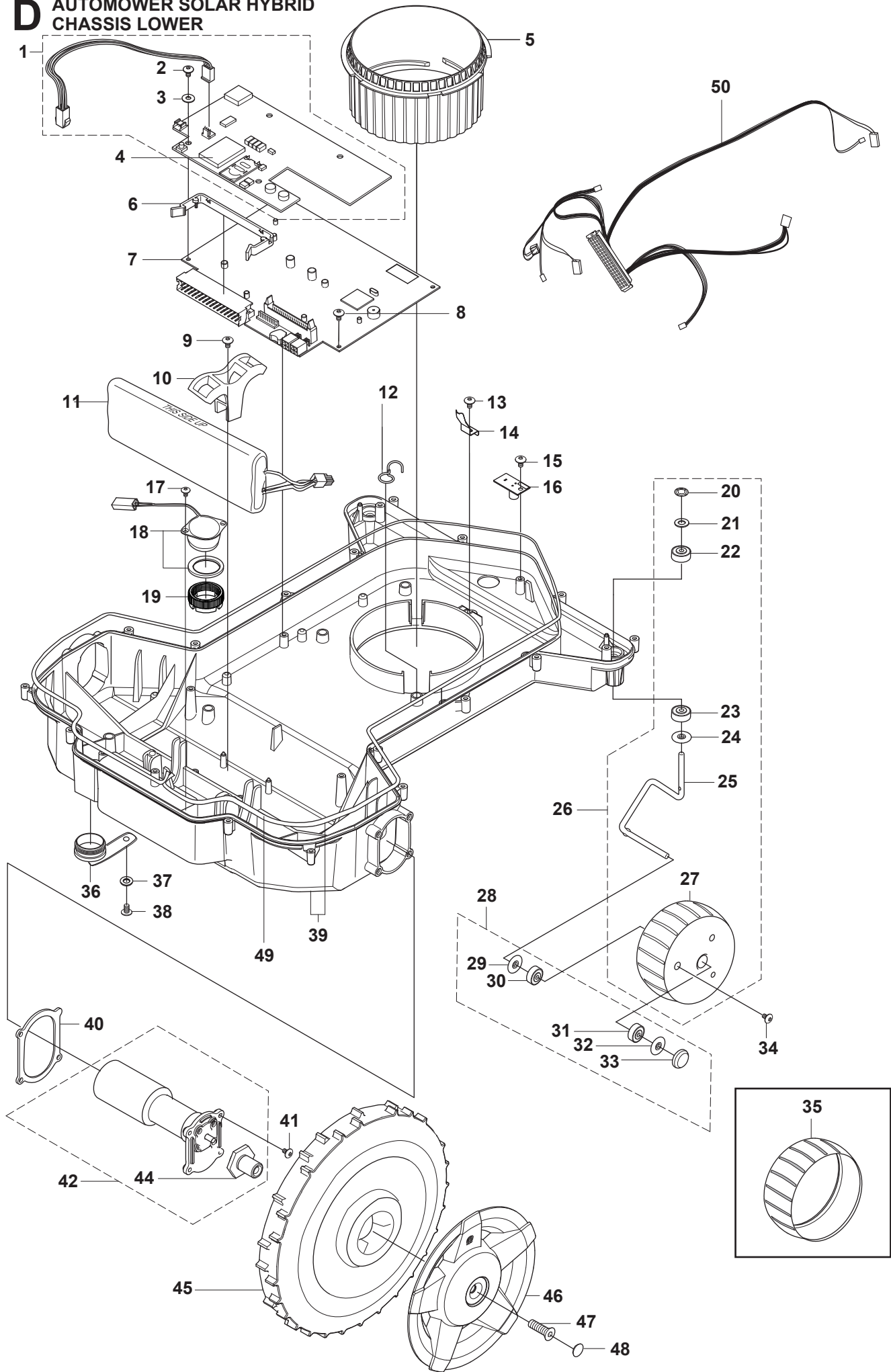
C AUTOMOWER SOLAR HYBRID CHASSIS UPPER



Page C AUTOMOWER SOLAR HYBRID CHASSIS UPPER

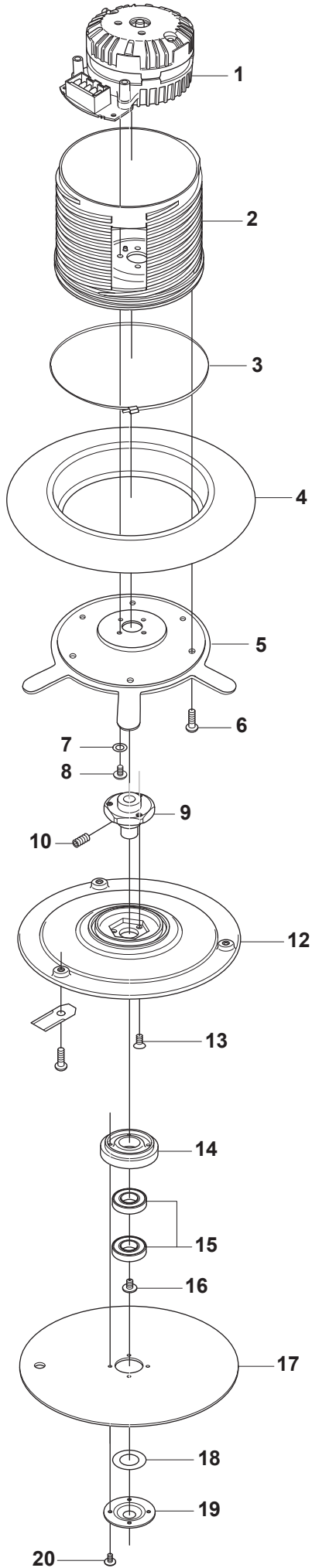
Position		Quantity	Notes	Kit
1	544 90 01-01	1	KEYBOARD	6
2	577 52 72-01	1	CABLE CLAMP	
3	535 10 17-01	1	CAP	8
4	574 45 01-01	4	SCREW ITXPANT	
5	575 98 63-01	1	SEALING STRIP (10 pcs, Ø4mm)	6
5	574 87 47-02	1	SEALING STRIP (Ø4mm)	
6	575 94 42-04	1	DISPLAY COVER compl	
7	535 14 47-01	1	FILTER	
8	505 45 79-03	1	CABLE	
9	535 12 39-01	1	MAIN SWITCH compl	
10	544 90 01-02	1	DISPLAY	
11	577 67 06-01	2	RUBBER DAMPER	16
12	575 54 33-14	8	SCREW	
13	505 17 43-01	2	RING FASTENER	
14	577 52 58-01	2	RUBBER GAITERS	16
15	503 22 66-01	2	SQUARE NUT	16
16	577 59 84-03	2	COLUMN compl	16
17	579 24 88-01	2	COLUMN	
18	535 14 32-01	2	DEFLECTION LIMITER	
19	510 74 70-00	1	LOCKWASHER	
20	544 14 15-01	2	SENSOR compl	
21	535 12 22-01	1	STEERING WHEEL	
22	574 45 01-01	16	SCREW ITXPANT	
23	575 94 38-01	1	CHASSIS	
24	544 12 69-01	1	WIRING	
25	578 78 90-01	2	PRINTED CIRCUIT ASSY	
26	535 07 60-02	2	SCREW	
27	578 78 90-01	1	PRINTED CIRCUIT ASSY	
28	535 12 79-01	1	BRACKET	
29	575 54 33-14	1	SCREW	
30	575 98 62-01	1	SEALING STRIP (10 pcs, Ø4mm)	
30	574 87 47-01	1	SEALING STRIP (Ø4mm)	

D AUTOMOWER SOLAR HYBRID CHASSIS LOWER



Page D AUTOMOWER SOLAR HYBRID CHASSIS LOWER				
Position	Article	Quantity	Notes	Kit
1	575 24 24-02	1	GPS UNIT compl	
2	522 59 71-01	2	SCREW	1
3	522 59 72-01	2	WASHER	1
4	576 38 10-01	1	Battery GPS module	1
5	535 12 21-02	1	NUT	
6	578 05 61-01	1	CLIP	
6	578 05 61-02	50	CLIP	
7	578 78 61-01	1	PRINTED CIRCUIT ASSY	
8	575 54 33-10	4	SCREW	
9	575 54 33-14	2	SCREW	
10	544 90 78-01	2	BRACKET	
11	535 12 09-01	1	BATTERY	
12	535 13 96-01	1	CABLE HOLDER	
13	535 13 03-14	1	SCREW ITXPANT	
14	535 12 24-01	1	LOCKING SPRING	
15	575 54 33-10	2	SCREW	
16	578 78 88-01	2	PRINTED CIRCUIT ASSY	
17	502 85 96-01	2	SCREW	
18	501 00 42-01	1	BUZZER	
19	579 52 12-01	1	NUT	
20	735 58 41-09	2	WASHER	26
21	734 11 52-09	2	WASHER	26
22	522 50 50-01	2	BALL BEARING	26
23	522 50 50-01	2	BALL BEARING	26
24	535 08 78-02	2	WASHER	26
25	522 50 48-01	2	SPINDLE	26
26	522 66 45-02	1	KIT compl	
27	575 23 17-01	2	WHEEL ASSY	26
28	523 34 37-01	1	BEARING KIT compl	26
29	535 08 78-02	2	WASHER	26,28
30	522 50 50-01	2	BALL BEARING	26,28
31	522 50 50-01	2	BALL BEARING	26,28
32	535 08 78-02	2	WASHER	26,28
33	521 93 31-01	2	COVER WASHER	26,28
34	575 50 76-01	6	SCREW ITXPANT	
35	574 44 98-01	2	WHEEL	
36	574 42 74-02	1	PLUG	
37	734 11 37-41	1	WASHER	
38	575 54 33-14	1	SCREW	
39	575 94 39-01	1	CHASSIS	
40	535 13 92-04	2	GASKET	
41	575 54 33-16	8	SCREW	
42	502 63 36-02	2	DRIVE MOTOR compl, Linix	
42	535 13 72-02	2	MOTOR Dunker	
44	544 90 68-02	1	HUB	40
45	544 90 58-03	2	REAR WHEEL	
46	544 90 51-02	2	HUB CAP	
47	535 13 94-01	2	SCREW IHCSFM	
48	504 20 08-01	2	COVER WASHER	
49	575 98 62-01	1	SEALING STRIP (10 pcs, Ø4mm)	
49	574 87 47-01	1	SEALING STRIP (Ø4mm)	
50	501 00 37-03	1	MAIN WIRING Linix	
50	501 00 37-02	1	MAIN WIRING Dunker	

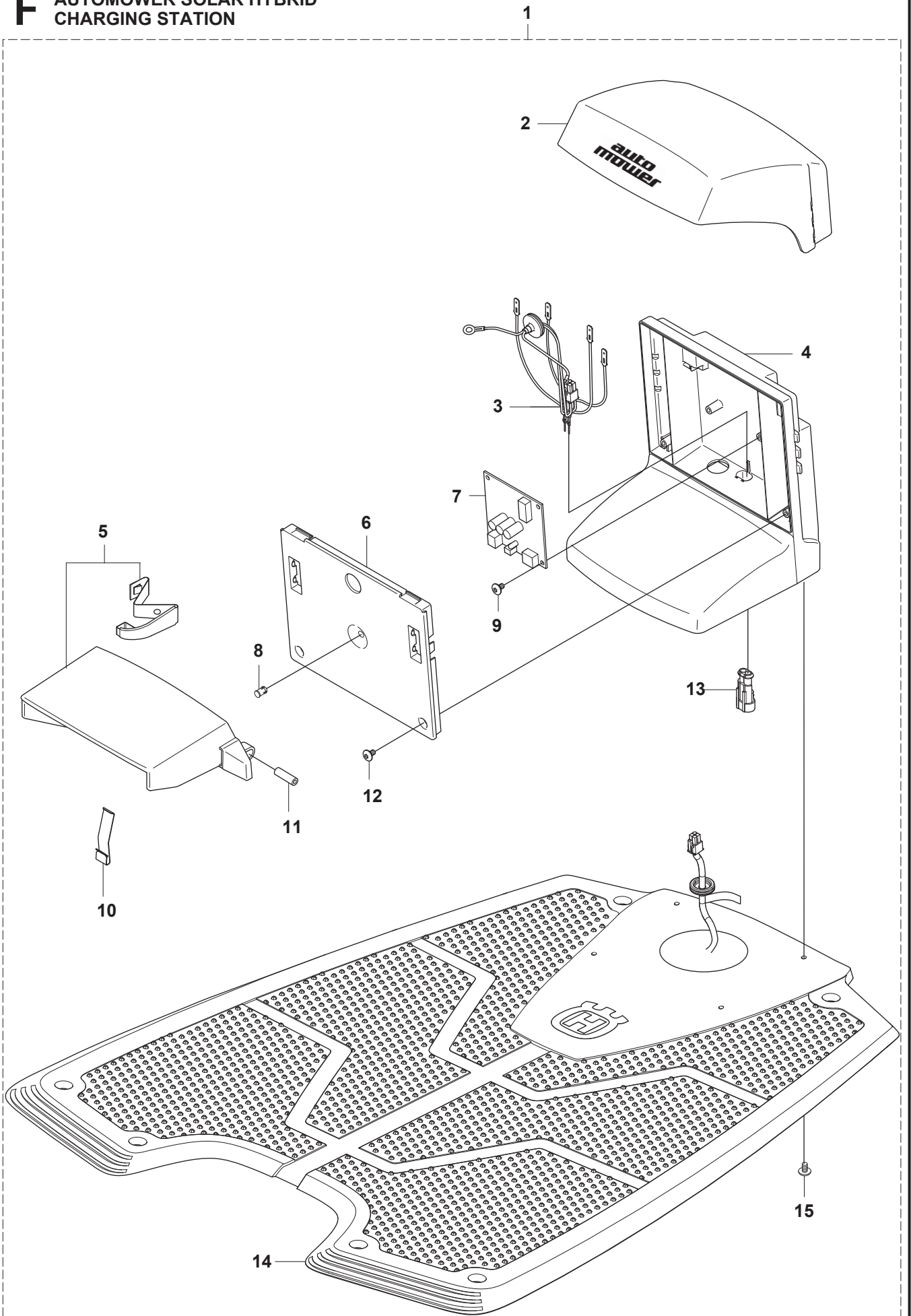
E AUTOMOWER SOLAR HYBRID
BLADE MOTOR
& CUTTING EQUIPMENT



Page E AUTOMOWER SOLAR HYBRID BLADE MOTOR & CUTTING EQUIPMENT

Position	Article	Quantity	Notes	Kit
1	535 12 36-01	1	CUTTING Motor	
2	510 14 41-01	1	MOTOR BOWL	
3	525 25 14-01	1	TIE WRAP	
4	535 12 23-01	1	RUBBER GAITERS	
5	522 77 15-02	1	PLATE	
6	575 54 33-14	6	SCREW	
7	734 11 37-41	4	WASHER	
8	502 23 91-01	4	SCREW	
9	535 07 55-01	1	HUB	
10	728 82 85-01	1	SCREW IHSETM	
12	535 12 63-01	1	BLADE DISK	
13	535 13 05-01	3	SCREW	
14	535 12 64-01	1	BEARING BOX	
15	535 07 57-03	1	BALL BEARING	
16	535 07 60-01	1	SCREW	
17	535 07 59-01	1	SKID PLATE	
18	535 08 25-01	1	GASKET	
19	535 08 15-01	1	COVER WASHER	
20	575 54 33-10	4	SCREW	

F AUTOMOWER SOLAR HYBRID CHARGING STATION

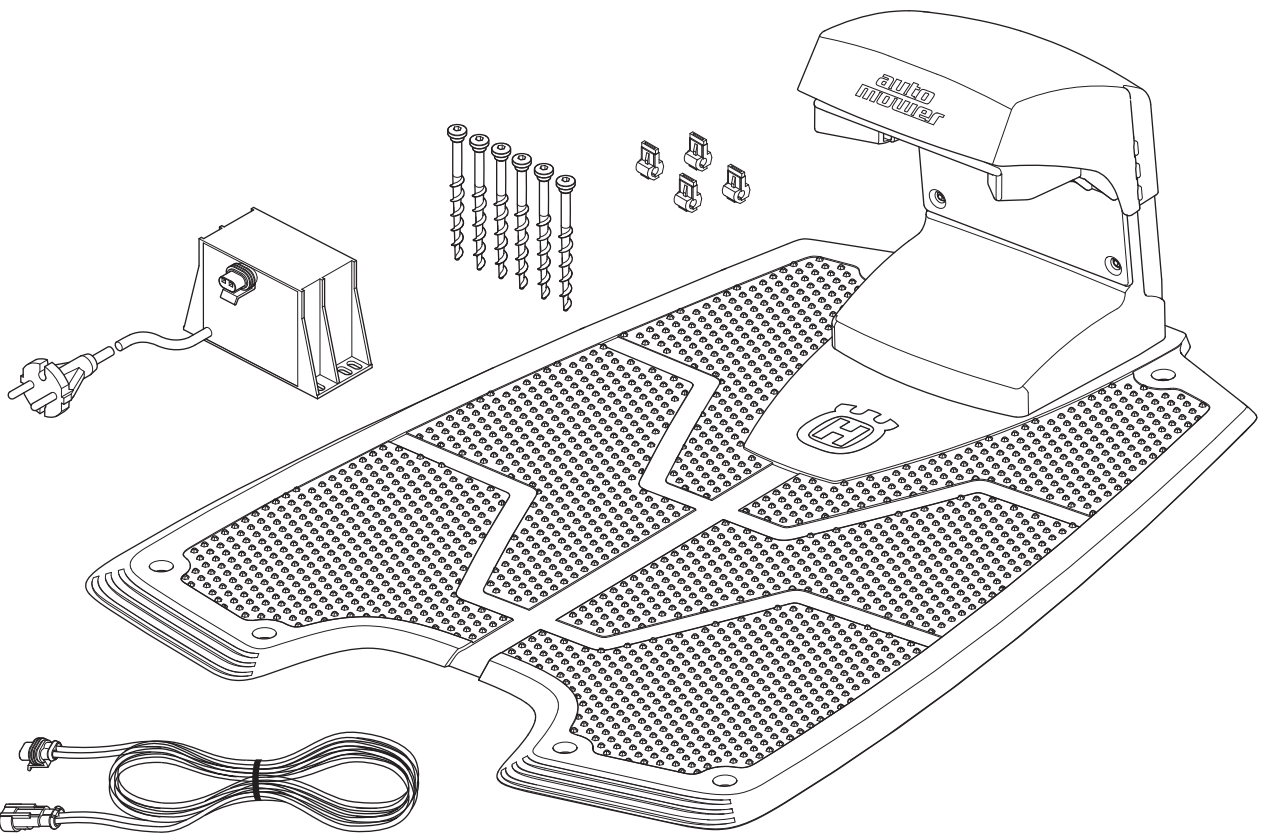


Page F AUTOMOWER SOLAR HYBRID CHARGING STATION

Position	Article	Quantity	Notes	Kit
1	574 90 20-02	1	CHARGING STATION	
1	574 90 20-05	1	CHARGING STATION (CH)	
2	535 12 47-02	1	COVER	
3	544 98 38-07	1	WIRING ASSY	
3	544 98 38-09	1	WIRING ASSY (CH)	
4	574 82 75-01	1	BODY	
5	510 05 97-02	1	KIT, Charging Plate	
6	535 12 44-01	1	CAP	
7	578 78 84-01	1	PRINTED CIRCUIT ASSY	
7	584 82 20-01	1	PRINTED CIRCUIT ASSY (CH)	
8	535 12 87-02	1	DIODE LENS	
9	575 54 33-10	2	SCREW	
10	535 12 86-01	2	SPRING PLATE	
11	535 12 50-01	2	PIN	
12	575 54 33-14	2	SCREW	
13	535 12 85-01	1	CONTACT HOUSING	
14	575 23 16-01	1	ANTENNA PLATE	
15	575 54 33-14	4	SCREW	

G AUTOMOWER SOLAR HYBRID
CHARGING STATION

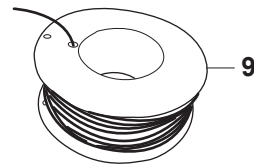
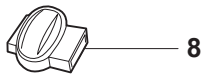
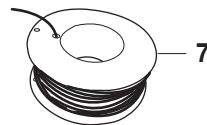
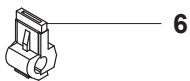
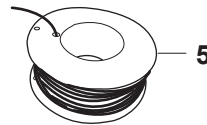
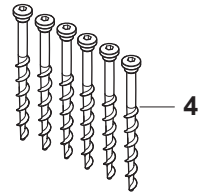
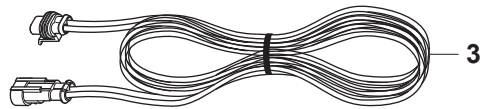
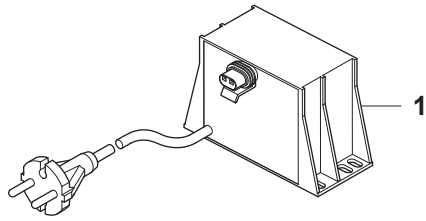
1



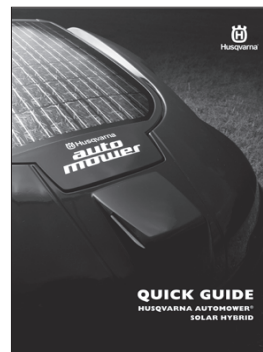
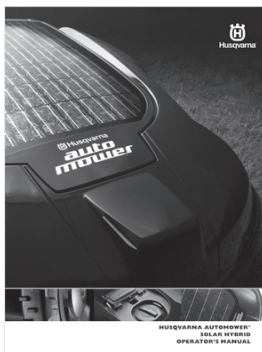
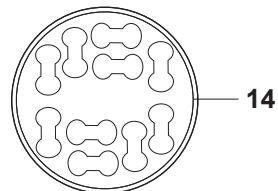
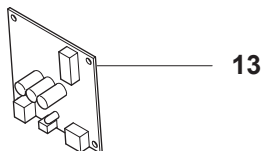
Page G AUTOMOWER SOLAR HYBRID CHARGING STATION

Position	Article	Quantity	Notes	Kit
1	575 55 09-01	1	CHARGING STATION KIT (EU)	
1	575 55 09-02	1	CHARGING STATION KIT (UK/IRL)	
1	575 55 09-03	1	CHARGING STATION KIT (CH)	
1	575 55 09-04	1	CHARGING STATION KIT (US/CA/MX)	
1	575 55 09-05	1	CHARGING STATION KIT (AU/NZ)	

H AUTOMOWER SOLAR HYBRID ACCESSORIES



11

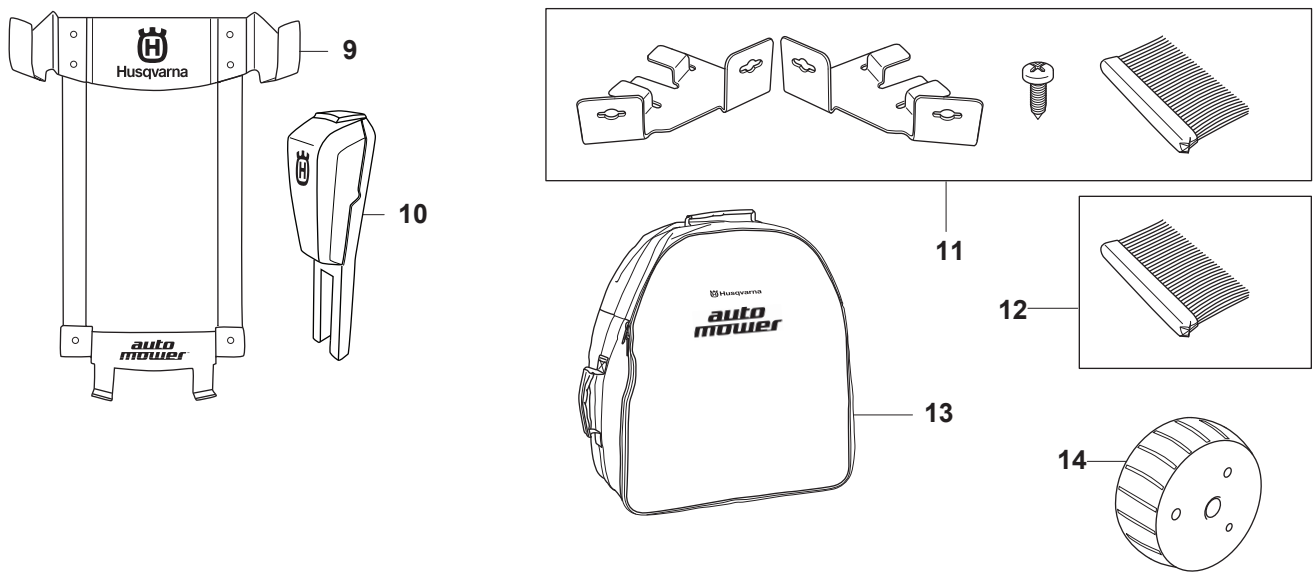
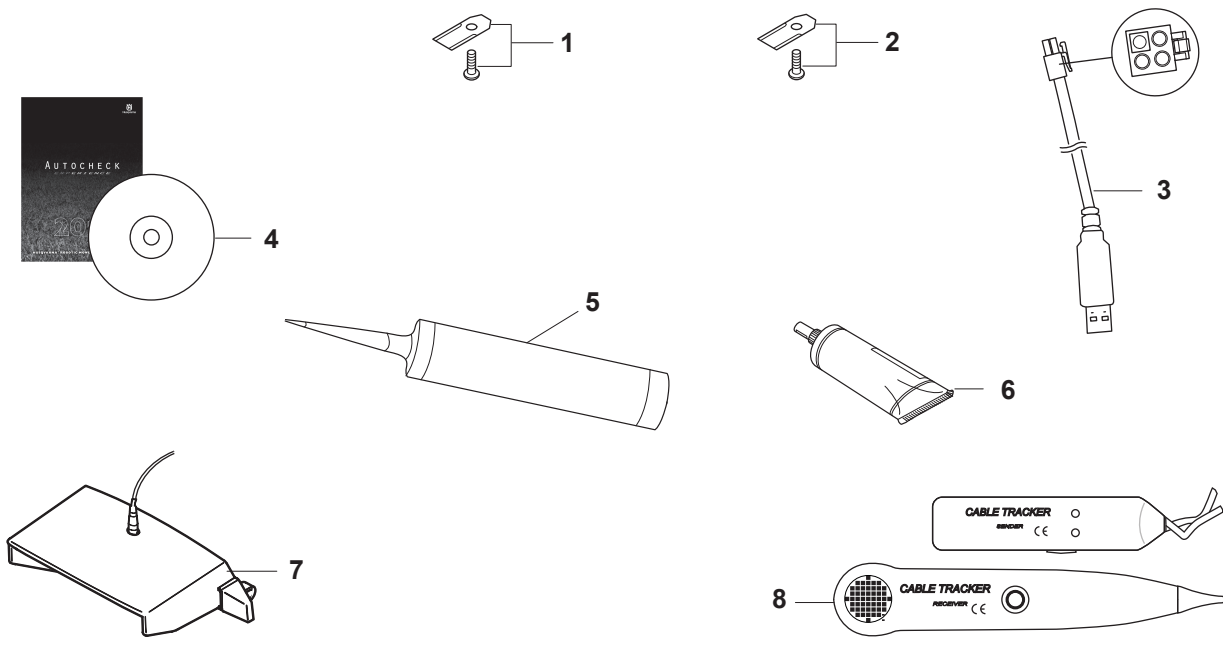


15

16

Page H AUTOMOWER SOLAR HYBRID ACCESSORIES				
Position	Article	Quantity	Notes	Kit
1	535 12 37-01	1	TRANSFORMER (EU)	
1	535 12 37-02	1	TRANSFORMER (UK/IRL)	
1	535 12 37-03	1	TRANSFORMER (CH)	
1	535 12 37-04	1	TRANSFORMER (US/MX)	
1	535 12 37-05	1	TRANSFORMER (AU/NZ)	
2	583 97 34-01	1	STAPLE, 100pcs	
2	577 86 42-01	1	STAPLE, Blister pack, 100pcs	
3	535 12 73-06	1	WIRING (20m)	
4	575 23 86-01	1	SCREW KIT, 6pcs	
4	577 86 49-01	2	SCREW KIT, Blister Pack, 3pcs	
5	580 66 20-02	1	WIRE (150m)	
5	577 86 43-01	1	WIRE, Blister pack, (150m)	
6	535 12 90-01	1	LOOP WIRE CONNECTOR	
6	577 86 48-01	1	LOOP WIRE CONNECTOR, Blister Pack, 5pcs	
7	580 66 20-01	1	WIRE (250m)	
8	501 98 02-01	1	COUPLER	
8	577 86 47-01	1	COUPLER, Blister pack, 5pcs	
9	522 91 41-01	1	WIRE (500m, Ø3.4 mm)	
10	501 98 02-03	1	COUPLER, 50pcs	
11	544 17 75-01	1	MEASURING TAPE	
12	579 57 12 01	1	LABEL	
13	584 82 20-01	1	CS CB Thunder lightning protection	
14	586 27 79-01	1	STICKER, Cable markers	
15	115 53 39-01	1	OPERATOR'S MANUAL, Swedish	
15	115 53 39-06	1	OPERATOR'S MANUAL, Danish	
15	115 53 39-11	1	OPERATOR'S MANUAL, Finnish	
15	115 53 39-21	1	OPERATOR'S MANUAL, Norwegian	
15	115 53 39-26	1	OPERATOR'S MANUAL, English	
15	115 53 39-31	1	OPERATOR'S MANUAL, French	
15	115 53 39-32	1	OPERATOR'S MANUAL, French (Canada)	
15	115 53 39-36	1	OPERATOR'S MANUAL, Dutch	
15	115 53 39-41	1	OPERATOR'S MANUAL, Italian	
15	115 53 39-46	1	OPERATOR'S MANUAL, Spanish	
15	115 53 39-51	1	OPERATOR'S MANUAL, German	
15	115 53 39-56	1	OPERATOR'S MANUAL, Russian	
15	115 53 39-58	1	OPERATOR'S MANUAL, Hungarian	
15	115 53 39-61	1	OPERATOR'S MANUAL, Polish	
15	115 53 39-63	1	OPERATOR'S MANUAL, Estonian	
15	115 53 39-64	1	OPERATOR'S MANUAL, Lettish	
15	115 53 39-65	1	OPERATOR'S MANUAL, Lithuanian	
15	115 53 39-68	1	OPERATOR'S MANUAL, Slovak	
15	115 53 39-84	1	OPERATOR'S MANUAL, Slovenian	
15	115 53 39-90	1	OPERATOR'S MANUAL, Czech	
15	115 53 39-95	1	OPERATOR'S MANUAL, English (EPA, CARB)	
15	115 53 39-96	1	OPERATOR'S MANUAL, Spanish (USA)	
16	115 09 82-01	1	QUICK GUIDE, Swedish	
16	115 09 82-06	1	QUICK GUIDE, Danish	
16	115 09 82-11	1	QUICK GUIDE, Finnish	
16	115 09 82-21	1	QUICK GUIDE, Norwegian	
16	115 09 82-26	1	QUICK GUIDE, English	
16	115 09 82-31	1	QUICK GUIDE, French	
16	115 09 82-32	1	QUICK GUIDE, French (Canada)	
16	115 09 82-36	1	QUICK GUIDE, Dutch	
16	115 09 82-41	1	QUICK GUIDE, Italian	
16	115 09 82-46	1	QUICK GUIDE, Spanish	
16	115 09 82-51	1	QUICK GUIDE, German	
16	115 09 82-56	1	QUICK GUIDE, Russian	
16	115 09 82-58	1	QUICK GUIDE, Hungarian	
16	115 09 82-61	1	QUICK GUIDE, Polish	
16	115 09 82-63	1	QUICK GUIDE, Estonian	
16	115 09 82-64	1	QUICK GUIDE, Lettish	
16	115 09 82-65	1	QUICK GUIDE, Lithuanian	
16	115 09 82-68	1	QUICK GUIDE, Slovak	
16	115 09 82-84	1	QUICK GUIDE, Slovenian	
16	115 09 82-90	1	QUICK GUIDE, Czech	
16	115 09 82-95	1	QUICK GUIDE, English (EPA, CARB)	
16	115 09 82-96	1	QUICK GUIDE, Spanish (USA)	

AUTOMOWER SOLAR HYBRID ACCESSORIES



Page I AUTOMOWER SOLAR HYBRID ACCESSORIES

Position	Article	Quantity	Notes	Kit
1	535 13 87-03	1	BLADE, Carbon steel, 9pcs	
1	577 86 44-01	1	BLADE, Carbon steel, Blister Pack, 9pcs	
1	535 13 88-03	1	BLADE, Carbon steel, 45pcs	
1	505 12 78-02	1	BLADE, Carbon steel, 500pcs	
2	577 60 64-03	1	BLADE, Carbon steel, Thick, 9pcs	
2	577 86 46-01	1	BLADE, Carbon steel, Thick, Blister Pack, 9pcs	
2	577 60 65-03	1	BLADE, Carbon steel, Thick, 45pcs	
2	577 60 66-02	1	BLADE, Carbon steel, Thick, 300pcs	
3	535 13 23-02	1	SERVICE CABLE (USB)	
4	577 85 81-02	1	AUTOCHECK EXP DVD	
5	578 05 13-02	1	GREASE TUBE (300 ml)	
6	578 05 13-01	1	GREASE TUBE (85 ml)	
7	522 73 65-01	1	ADAPTER PIN code transfer unit	
8	577 60 68-01	1	INTERRUPTION DETECTOR	
9	504 82 13-01	1	WALL BRACKET ASSY	
10	522 42 58-01	1	SIGNAL BOOSTER	
11	505 13 27-01	1	BRUSH KIT, Incl Brush, 6pcs	
11	577 86 50-01	1	BRUSH KIT, Incl Brush, Blister Pack, 6pcs	
12	505 13 28-02	1	BRUSH , 6pcs	
13	522 91 67-01	1	BAG	
14	575 23 17-02	1	HEAVY WHEEL (400g)	
14	577 86 51-01	1	HEAVY WHEEL (400g), Blister pack, 2pcs	