

420

2016

Spare parts

Ersatzteile

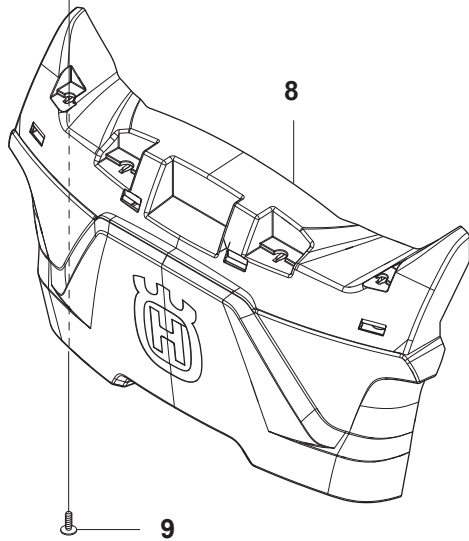
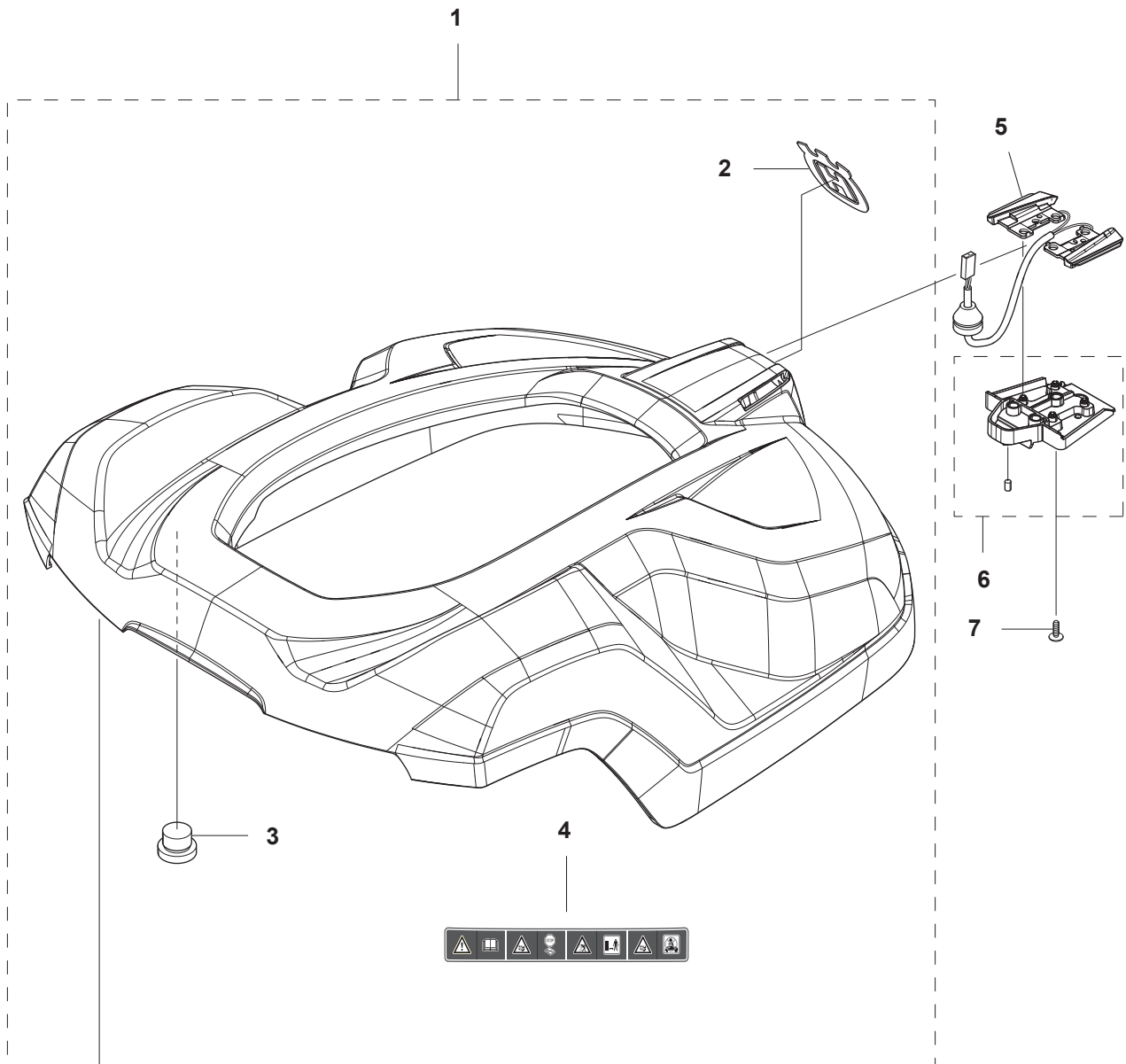
Pièces détachées

Reserve onderdelen

Repuestos

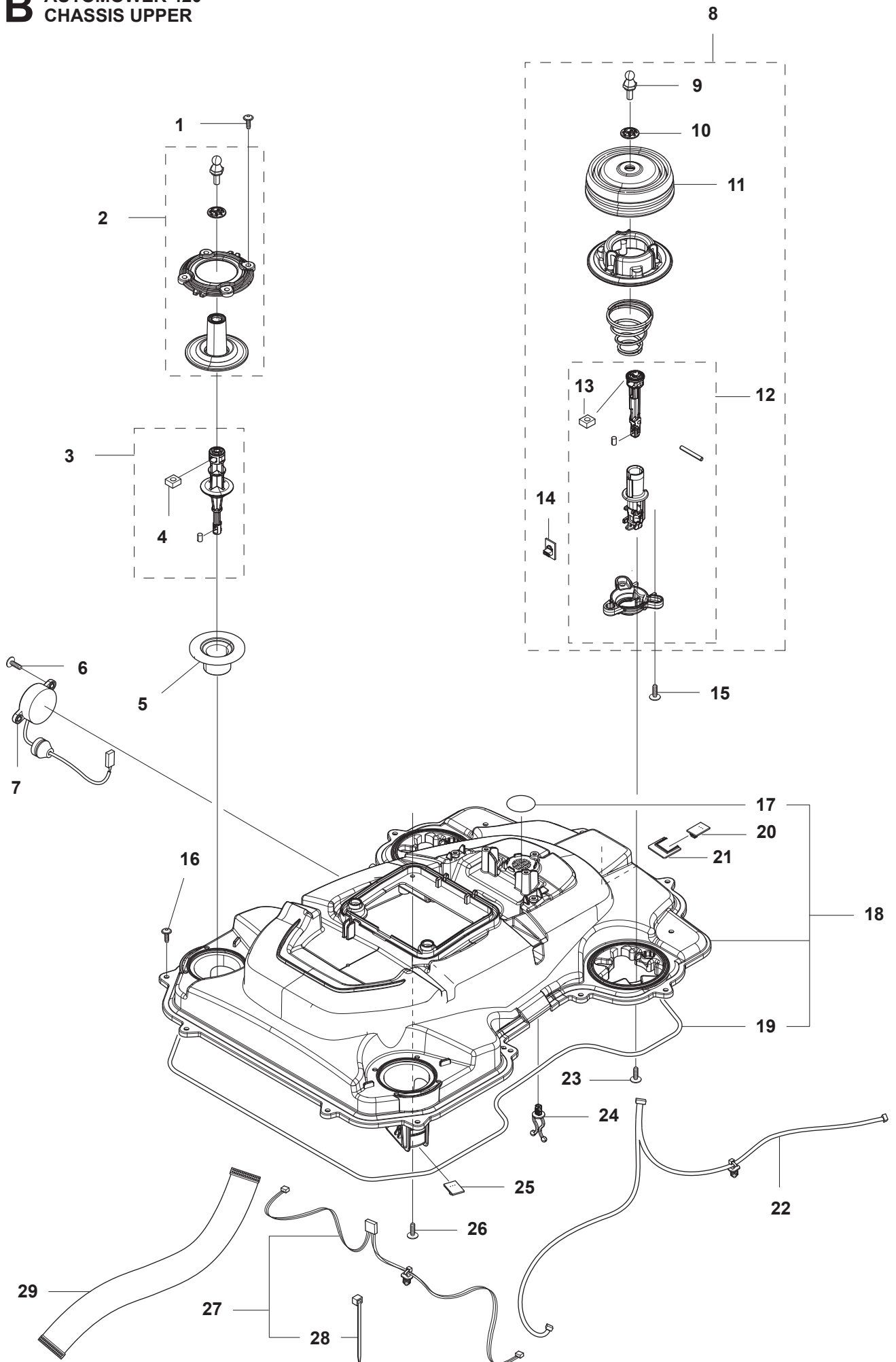
Reservdelar

A AUTOMOWER 420 COVER



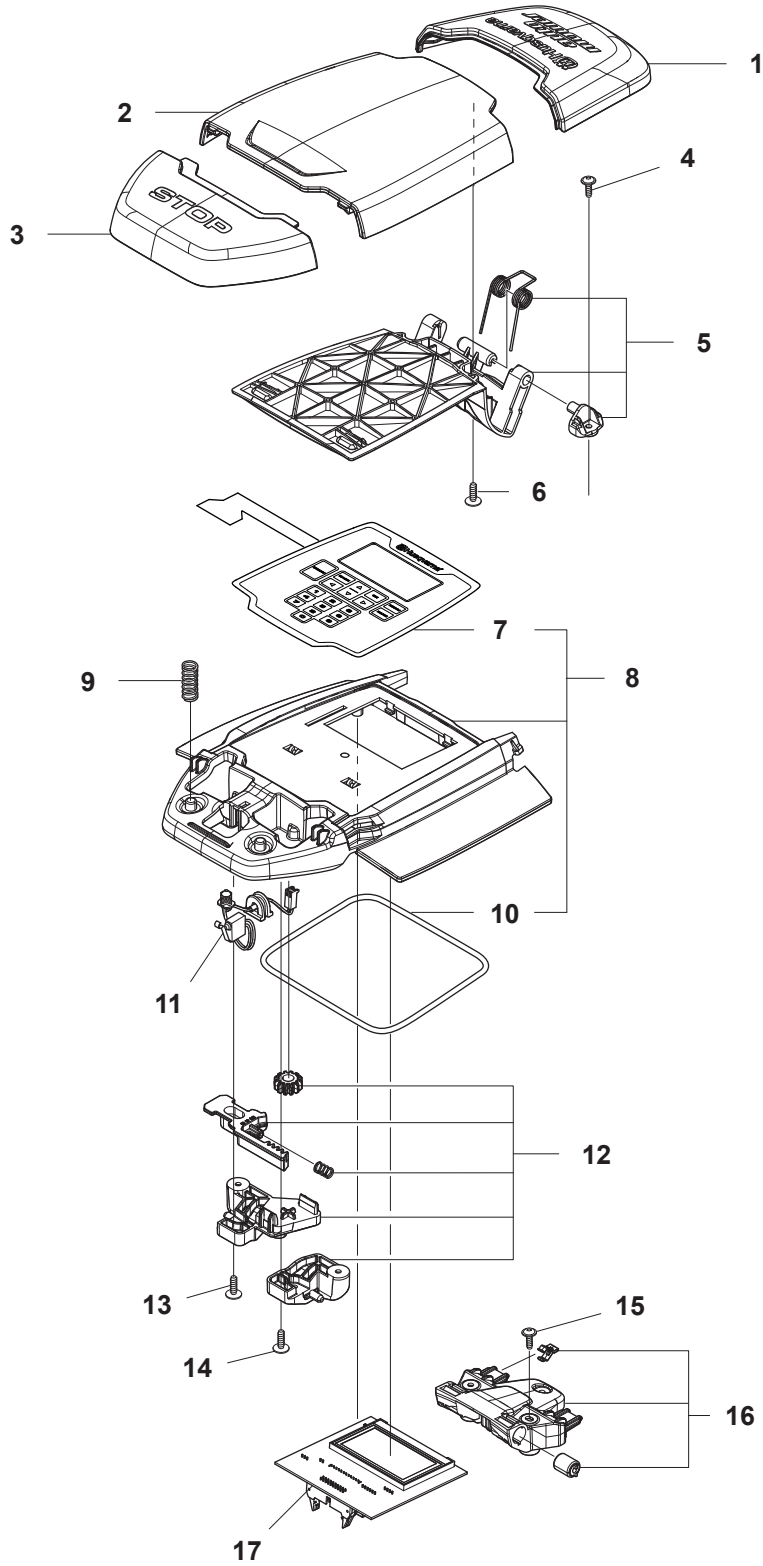
| Position | Article | Quantity | Notes | Kit / Assy |
|----------|--------------|----------|-----------------------|------------|
| 1 | 581 62 04-03 | 1 | Body KIT | |
| 2 | 587 42 35-01 | 1 | Decal | 1 |
| 3 | 580 52 68-01 | 4 | Cap | 1 |
| 4 | 586 35 97-01 | 1 | Label | 1 |
| 5 | 585 53 92-02 | 1 | Charging Plate Wiring | |
| 6 | 501 06 56-01 | 1 | Holder ASSY | |
| 7 | 575 54 33-14 | 1 | Screw | |
| 8 | 579 51 98-02 | 1 | Bumper | |
| 9 | 574 45 01-01 | 4 | Screw | |

B AUTOMOWER 420 CHASSIS UPPER



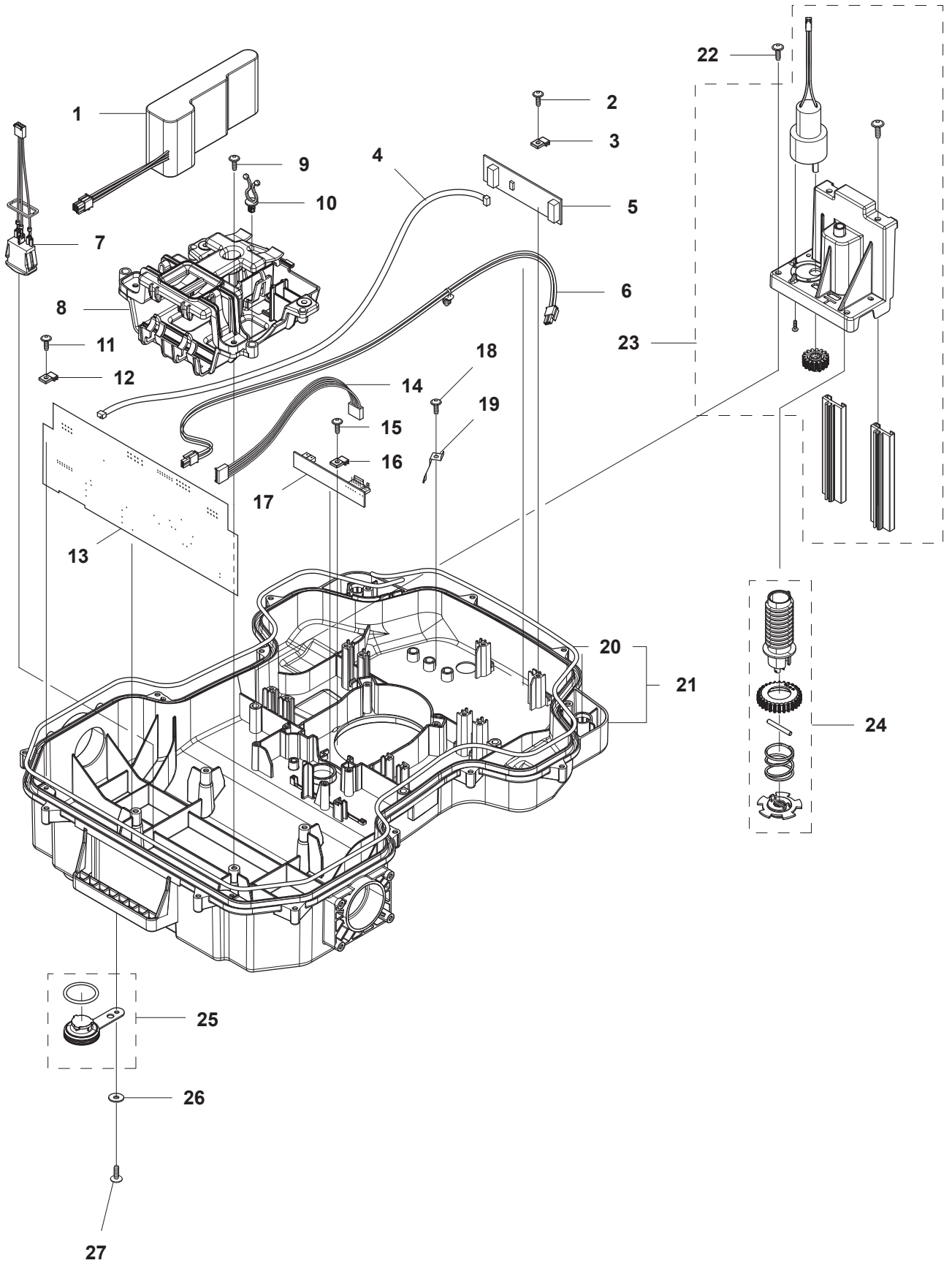
| Position | Article | Quantity | Notes | Kit / Assy |
|----------|--------------|----------|------------------------------|------------|
| 1 | 574 45 01-01 | 8 | Screw | |
| 2 | 501 06 13-01 | 2 | Joystick KIT Rear | |
| 3 | 501 12 26-01 | 2 | Column KIT | |
| 4 | 503 22 66-01 | 2 | Square Nut | 3 |
| 5 | 535 14 32-01 | 2 | Deflection Limiter | |
| 6 | 575 54 33-14 | 2 | Screw | |
| 7 | 579 70 63-02 | 1 | Buzzer | |
| 8 | 581 62 09-03 | 2 | Joystick KIT | |
| 9 | 580 52 67-01 | 2 | Stud | 8 |
| 10 | 579 52 57-01 | 2 | Washer | 8 |
| 11 | 579 47 46-01 | 2 | Bellows | 8 |
| 12 | 587 44 88-02 | 2 | Rod KIT | 8 |
| 13 | 503 22 66-01 | 2 | Square Nut | 8,12 |
| 14 | 579 66 90-01 | 2 | Printed Circuit ASSY | 8 |
| 15 | 575 54 33-14 | 6 | Screw | |
| 16 | 574 45 01-01 | 14 | Screw | |
| 17 | 577 75 37-01 | 1 | Air Filter KIT 10 pcs | |
| 18 | 581 62 08-01 | 1 | Chassis KIT | |
| 19 | 574 87 47-05 | 1 | Sealing Strip (1 pcs, Ø5 mm) | |
| 20 | 579 66 91-01 | 1 | Printed Circuit ASSY | |
| 21 | 587 83 49-01 | 1 | Clip | |
| 22 | 581 66 09-01 | 1 | Loom KIT | |
| 23 | 574 45 01-01 | 6 | Screw | |
| 24 | 580 68 29-01 | 2 | Holder | |
| 25 | 579 66 91-01 | 1 | Printed Circuit ASSY | |
| 26 | 575 54 33-14 | 4 | Screw | |
| 27 | 581 62 11-01 | 1 | Loom KIT | |
| 28 | 900 23 87-08 | 2 | Tie Wrap | 27 |
| 29 | 579 70 62-01 | 1 | Loom | |

C AUTOMOWER 420
CENTER CONSOL



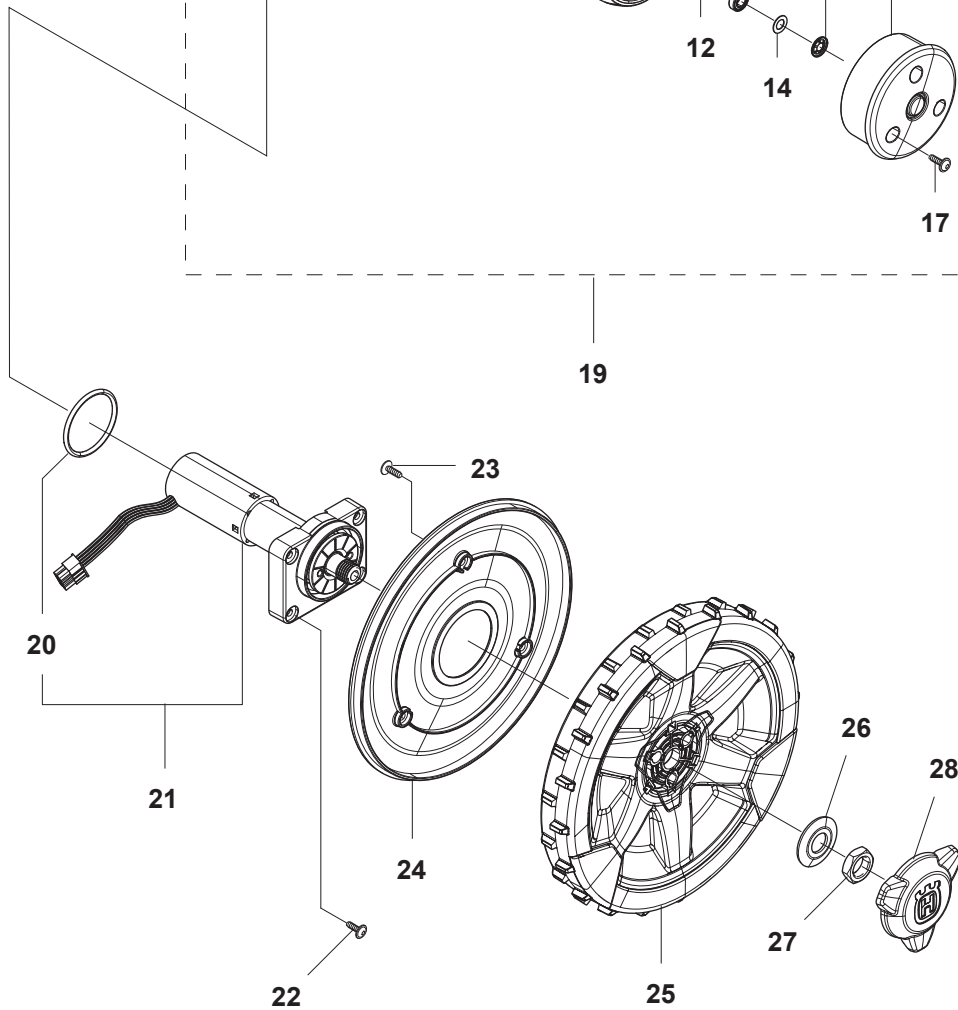
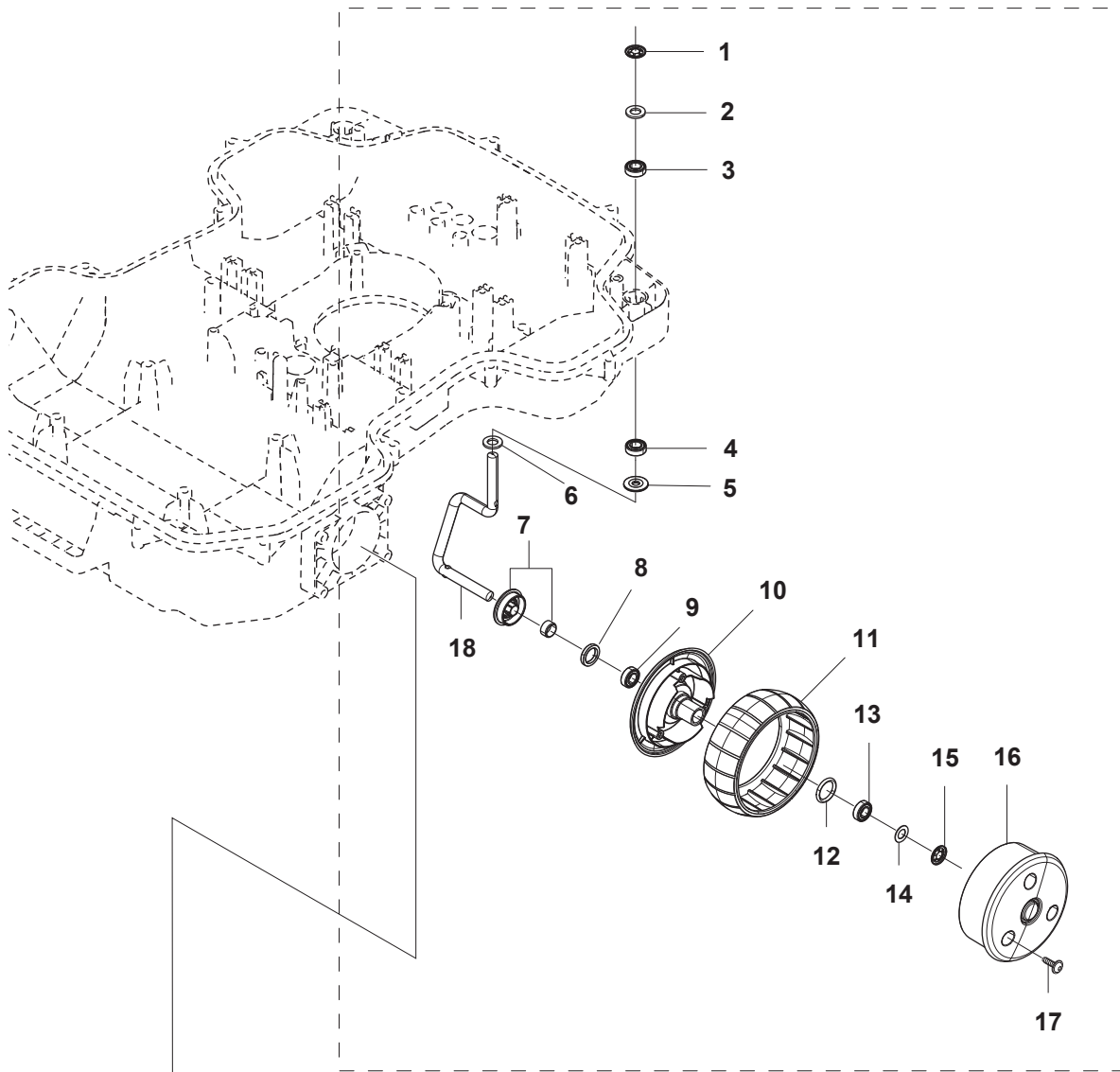
| Position | Article | Quantity | Notes | Kit / Assy |
|----------|--------------|----------|------------------------------|------------|
| 1 | 588 79 75-01 | 1 | Cover | |
| 2 | 579 45 85-01 | 1 | Hatch | |
| 3 | 579 45 81-01 | 1 | Button | |
| 4 | 575 54 33-14 | 2 | Screw | |
| 5 | 501 06 58-01 | 1 | Hinge KIT | |
| 6 | 575 54 33-14 | 2 | Screw | |
| 7 | 579 62 79-01 | 1 | Keyboard | 8 |
| 8 | 581 62 06-01 | 1 | Cover KIT | |
| 9 | 535 13 01-01 | 2 | Spring | |
| 10 | 574 87 47-06 | 1 | Sealing Strip (1 pcs, Ø5 mm) | |
| 11 | 574 48 03-02 | 1 | Switch | |
| 12 | 501 06 60-01 | 1 | Locking Plate KIT | |
| 13 | 575 54 33-14 | 1 | Screw | |
| 14 | 575 54 33-14 | 1 | Screw | |
| 15 | 575 54 33-14 | 3 | Screw | |
| 16 | 581 62 07-01 | 1 | Support KIT | |
| 17 | 588 27 59-01 | 1 | Printed Circuit ASSY | |

D AUTOMOWER 420 CHASSIS LOWER



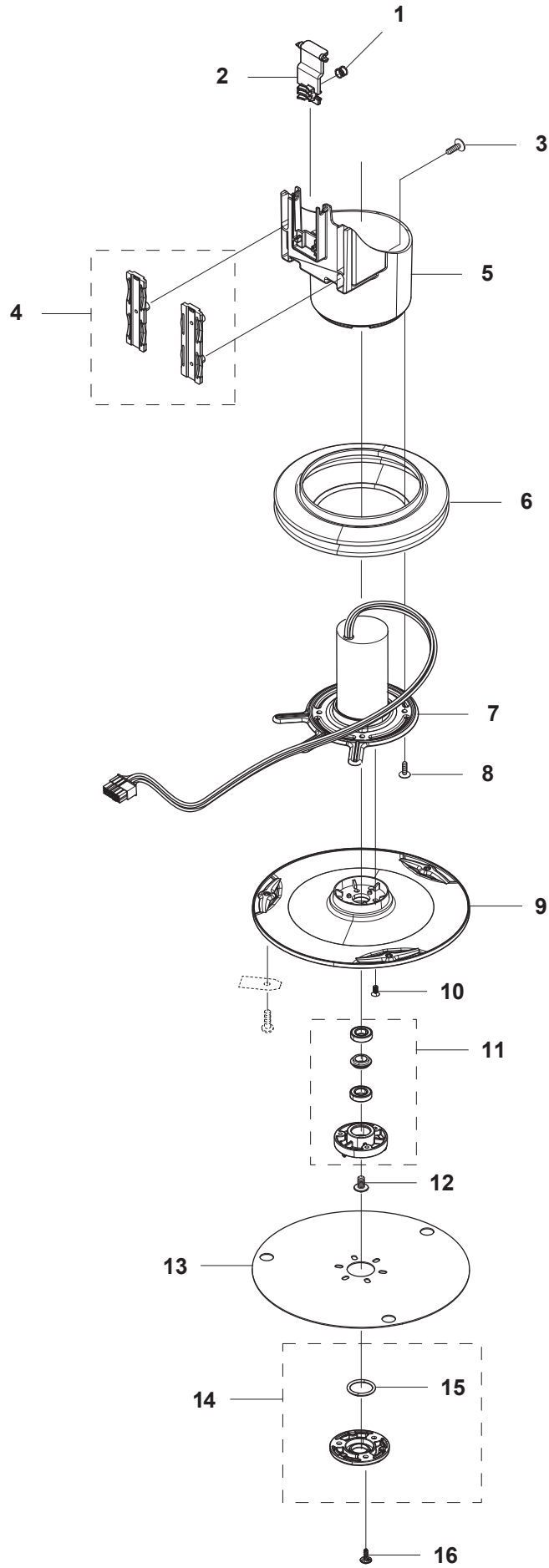
| Position | Article | Quantity | Notes | Kit / Assy |
|----------|--------------|----------|------------------------------|------------|
| 1 | 580 68 33-01 | 1 | Battery | |
| 2 | 575 54 33-14 | 2 | Screw | |
| 3 | 579 52 94-01 | 2 | Clamp | |
| 4 | 579 70 82-01 | 1 | Loom | |
| 5 | 588 90 30-01 | 1 | Printed Circuit ASSY | |
| 6 | 580 37 07-02 | 1 | Loom | |
| 7 | 579 70 87-01 | 1 | Switch, On Off | |
| 8 | 580 60 96-01 | 1 | Holder | |
| 9 | 574 45 01-01 | 5 | Screw | |
| 10 | 580 68 29-01 | 7 | Holder | |
| 11 | 575 54 33-14 | 2 | Screw | |
| 12 | 579 52 94-01 | 2 | Clamp | |
| 13 | 586 81 35-03 | 1 | Printed Circuit ASSY | |
| 14 | 579 70 80-01 | 1 | Loom | |
| 15 | 575 54 33-14 | 1 | Screw | |
| 16 | 579 52 94-01 | 1 | Clamp | |
| 17 | 579 72 85-02 | 1 | Printed Circuit ASSY | |
| 18 | 575 54 33-14 | 2 | Screw | |
| 19 | 581 55 61-01 | 2 | Spring | |
| 20 | 574 87 47-05 | 1 | Sealing Strip (1 pcs, Ø5 mm) | |
| 21 | 581 62 17-01 | 1 | Chassis KIT | |
| 22 | 575 54 33-14 | 4 | Screw | |
| 23 | 501 06 83-01 | 1 | Motor ASSY | |
| 24 | 581 62 16-01 | 1 | Screw KIT | |
| 25 | 581 62 12-02 | 1 | Plug KIT | |
| 26 | 734 11 37-41 | 1 | Washer | |
| 27 | 574 45 01-01 | 1 | Screw | |

E AUTOMOWER 420 WHEELS & TIRES



| Position | Article | Quantity | Notes | Kit / Assy |
|----------|--------------|----------|------------------|------------|
| 1 | 576 01 93-02 | 2 | Lock Washer | 19 |
| 2 | 580 76 46-01 | 2 | Washer | 19 |
| 3 | 580 60 51-01 | 2 | Ball Bearing | 19 |
| 4 | 580 60 51-01 | 2 | Ball Bearing | 19 |
| 5 | 535 08 78-03 | 2 | Washer | 19 |
| 6 | 580 76 46-01 | 2 | Washer | 19 |
| 7 | 581 62 15-01 | 2 | Sheild KIT | 19 |
| 8 | 580 48 71-01 | 2 | Sealing | 19 |
| 9 | 580 60 51-01 | 2 | Ball Bearing | 19 |
| 10 | 579 45 71-01 | 2 | Wheel Inside | 19 |
| 11 | 574 44 98-01 | 2 | Tire | 19 |
| 12 | 580 44 51-01 | 2 | O-ring | 19 |
| 13 | 580 60 51-01 | 2 | Ball Bearing | 19 |
| 14 | 580 76 46-01 | 2 | Washer | 19 |
| 15 | 576 01 93-02 | 2 | Lock Washer | 19 |
| 16 | 579 45 72-01 | 2 | Wheel Outside | 19 |
| 17 | 575 54 33-14 | 6 | Screw | 19 |
| 18 | 580 33 61-01 | 2 | Spindle | 19 |
| 19 | 581 62 14-01 | 2 | Front Wheel KIT | |
| 20 | 580 44 39-02 | 2 | O-ring | 21 |
| 21 | 581 62 13-02 | 2 | Wheel Motor ASSY | |
| 22 | 574 45 01-01 | 8 | Screw | |
| 23 | 575 54 33-14 | 6 | Screw | |
| 24 | 579 50 56-02 | 2 | Cover | |
| 25 | 579 50 60-01 | 2 | Rear Wheel | |
| 26 | 586 21 06-01 | 2 | Spring Washer | |
| 27 | 731 43 24-01 | 2 | Thin Nut | |
| 28 | 579 50 55-02 | 2 | Hub Cap | |

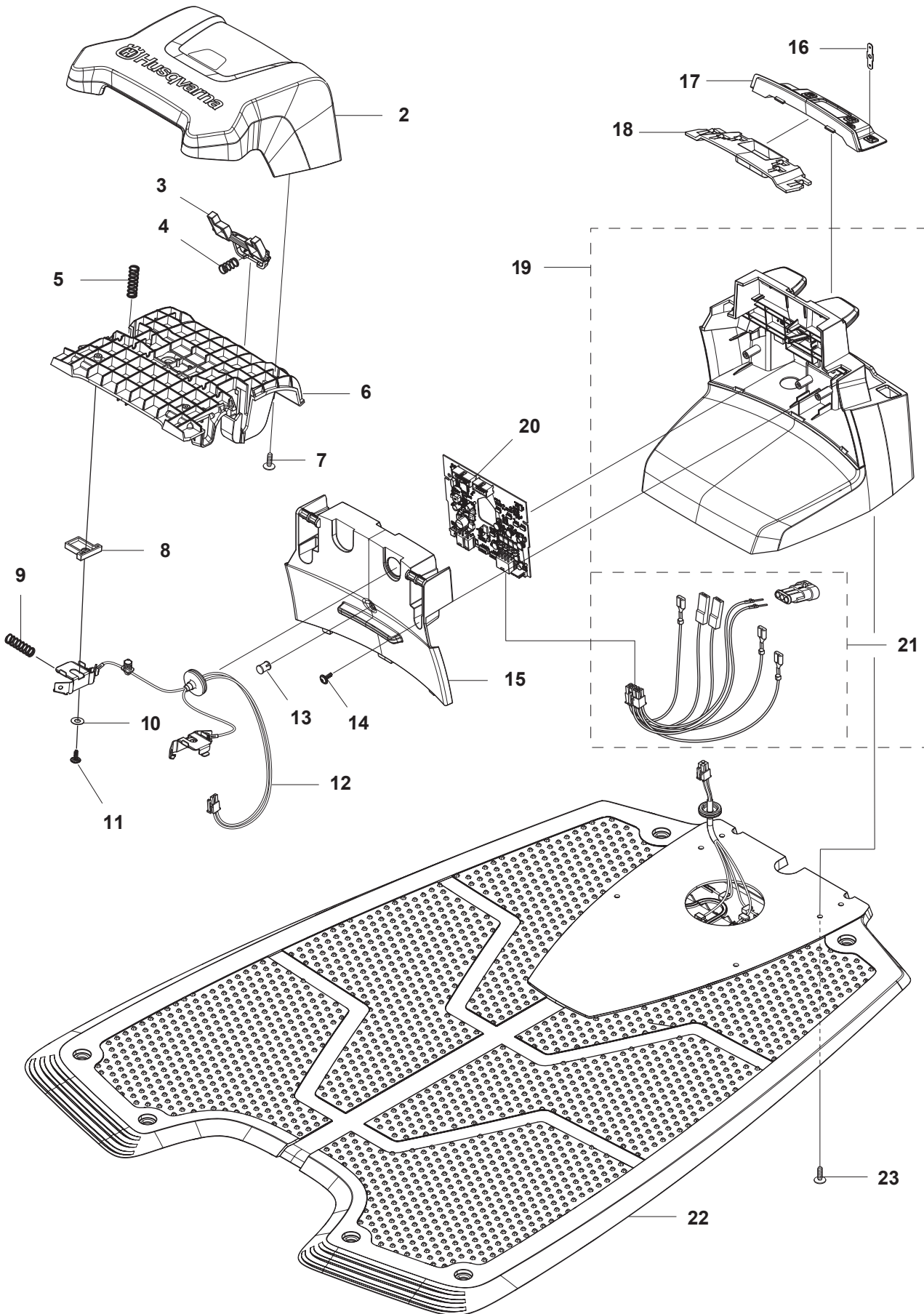
F AUTOMOWER 420
BLADE MOTOR & CUTTING EQUIPMENT



| Position | Article | Quantity | Notes | Kit / Assy |
|----------|--------------|----------|----------------------|------------|
| 1 | 580 62 44-01 | 1 | Spring | |
| 2 | 579 56 46-01 | 1 | Link | |
| 3 | 575 54 33-14 | 3 | Screw | |
| 4 | 581 62 18-01 | 1 | Bearing KIT | |
| 5 | 579 56 45-01 | 1 | Housing | |
| 6 | 579 66 64-03 | 1 | Bellows | |
| 7 | 587 38 14-01 | 1 | Cutting Motor ASSY | |
| 8 | 575 54 33-14 | 4 | Screw | |
| 9 | 587 37 81-01 | 1 | Cutting Disc | |
| 10 | 535 13 05-01 | 3 | Screw | |
| 11 | 588 42 17-01 | 1 | Bearing Housing ASSY | |
| 12 | 535 07 60-01 | 1 | Screw | |
| 13 | 587 37 80-01 | 1 | Skid Plate | |
| 14 | 587 44 96-01 | 1 | Bearing Cover ASSY | |
| 15 | 585 29 75-01 | 1 | O-Ring | 14 |
| 16 | 575 54 33-14 | 3 | Screw | |

G AUTOMOWER 420
CHARGING STATION

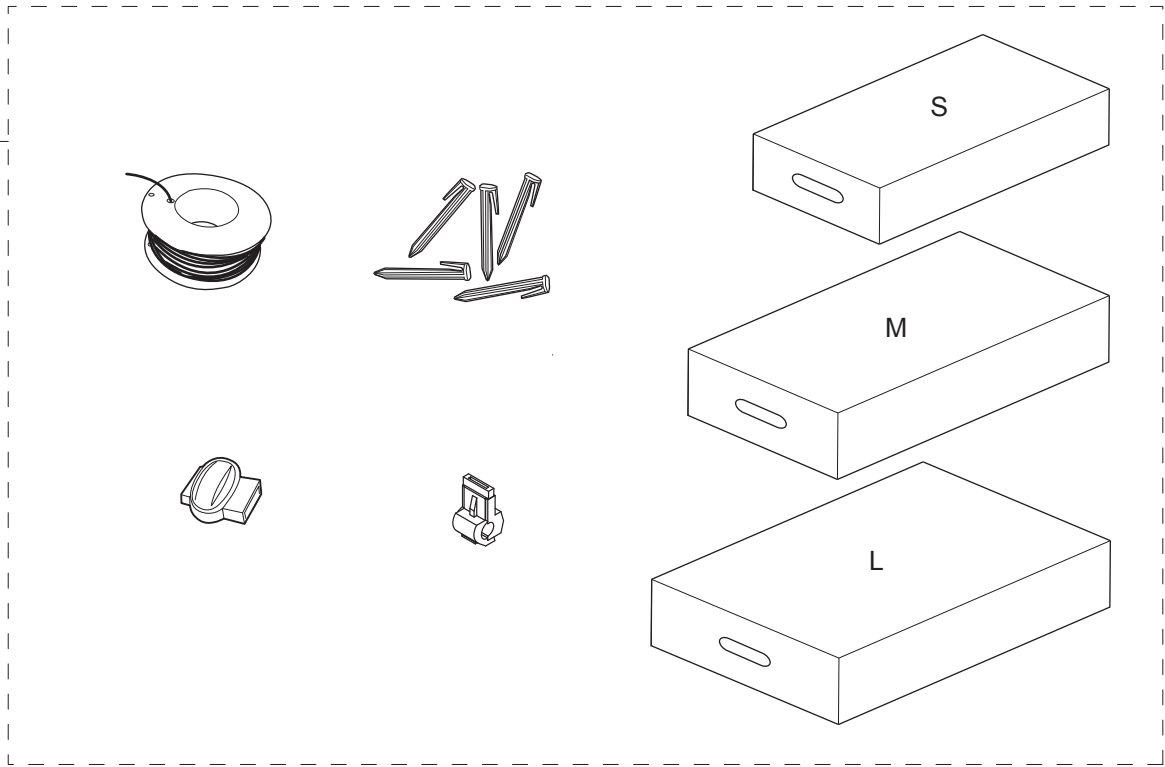
1



| Position | Article | Quantity | Notes | Kit / Assy |
|----------|--------------|----------|-----------------------|------------|
| 1 | 580 76 55-01 | 1 | Charging Station | |
| 2 | 579 44 82-03 | 1 | Cap | 1 |
| 3 | 579 46 24-02 | 1 | Button | 1 |
| 4 | 574 48 70-01 | 1 | Spring | 1 |
| 5 | 580 51 14-01 | 2 | Spring | 1 |
| 6 | 579 45 80-04 | 1 | Frame | 1 |
| 7 | 575 54 33-14 | 4 | Screw | 1 |
| 8 | 579 46 05-01 | 2 | Distance | 1 |
| 9 | 580 51 14-01 | 2 | Spring | 1 |
| 10 | 734 11 37-41 | 2 | Washer | 1 |
| 11 | 575 54 33-14 | 2 | Screw | 1 |
| 12 | 585 53 95-01 | 1 | Loom Charging Contact | 1 |
| 13 | 535 12 87-02 | 1 | Lens | 1 |
| 14 | 575 54 33-14 | 2 | Screw | 1 |
| 15 | 579 45 97-04 | 1 | Lid | 1 |
| 16 | 580 50 41-01 | 3 | Terminal | 1 |
| 17 | 579 45 98-01 | 1 | Panel | 1 |
| 18 | 579 45 99-01 | 1 | Holder | 1 |
| 19 | 588 18 88-01 | 1 | Housing KIT | 1 |
| 20 | 579 56 55-04 | 1 | PCBA Charging Station | 1 |
| 21 | 588 47 89-01 | 1 | Wiring CS | 1,19 |
| 22 | 575 23 16-02 | 1 | Charging Plate | 1 |
| 23 | 575 54 33-14 | 4 | Screw | 1 |

H AUTOMOWER 420 INSTALLATION ACCESSORIES

1



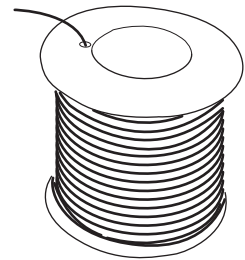
2



3



5



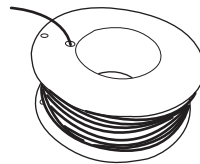
8



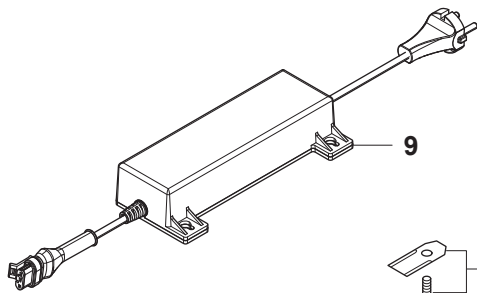
4



6



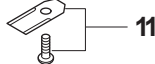
7



9



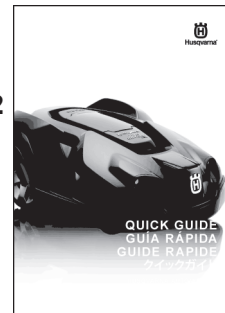
10



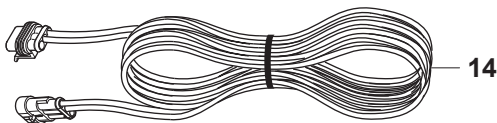
11



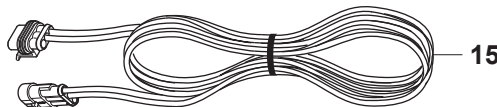
12



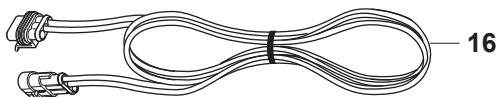
13



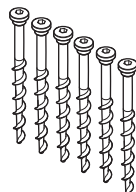
14



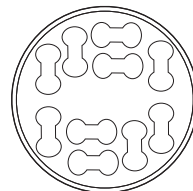
15



16



17



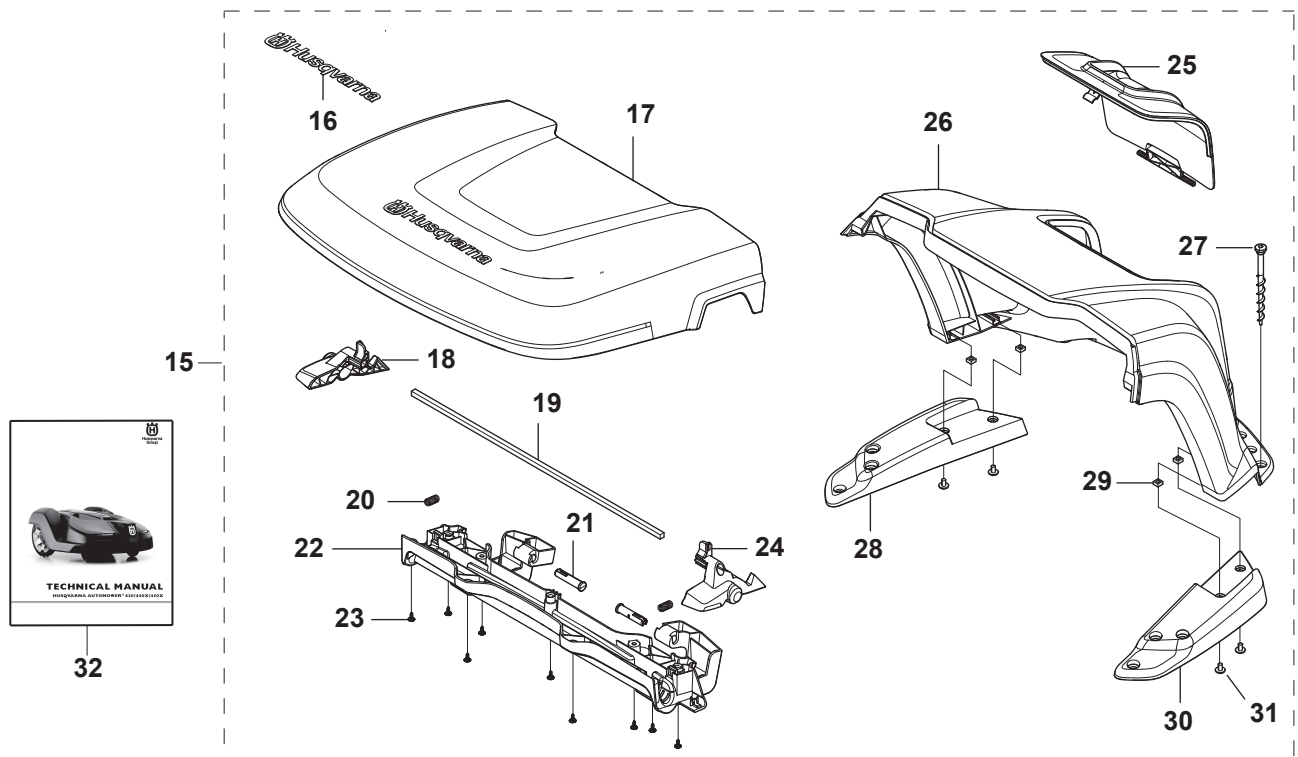
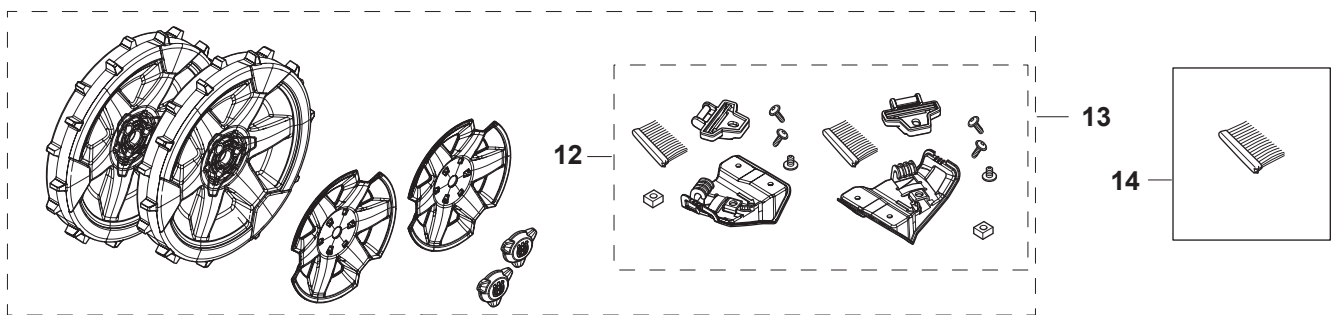
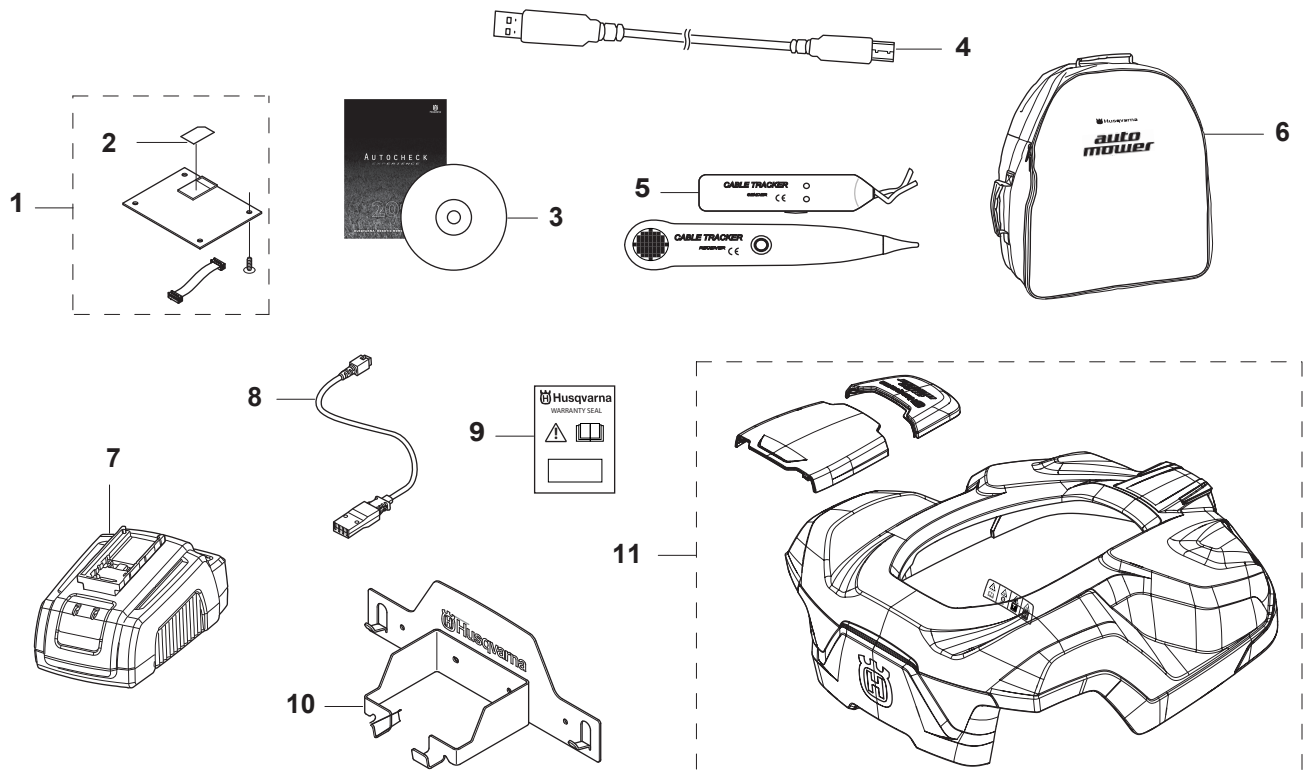
18



19

| Position | Article | Quantity | Notes | Kit / Assy |
|----------|--------------|----------|---|------------|
| 1 | 967 62 36-01 | 1 | Installation KIT S: Wire (150 m), Staples (300 pcs), Connectors (3 pcs), Couplers (5 pcs) | |
| 1 | 967 62 36-02 | 1 | Installation KIT M: Wire (250 m), Staples (400 pcs), Connectors (3 pcs), Couplers (5 pcs) | |
| 1 | 967 62 36-03 | 1 | Installation KIT L: Wire (400 m), Staples (600 pcs), Connectors (5 pcs), Couplers (5 pcs) | |
| 2 | 535 12 90-01 | 1 | Loop Wire Connector | |
| 2 | 577 86 48-01 | 1 | Loop Wire Connectors, Blister Pack, 5pcs | |
| 3 | 501 98 02-01 | 1 | Coupler | |
| 3 | 577 86 47-01 | 1 | Couplers, Blister Pack, 5 pcs | |
| 3 | 501 98 02-03 | 1 | Couplers, 100 pcs | |
| 4 | 577 86 42-01 | 1 | Staples, 85 mm, Blister Pack, 100 pcs | |
| 4 | 583 97 34-01 | 1 | Staples, 85 mm, 100 pcs | |
| 5 | 580 66 20-02 | 1 | Wire (150 m) | |
| 5 | 577 86 43-01 | 1 | Wire Blister Pack, (150 m) | |
| 6 | 580 66 20-01 | 1 | Wire (250 m) | |
| 7 | 522 91 41-01 | 1 | Wire (500 m, Ø3.4 mm) | |
| 8 | 580 66 20-04 | 1 | Wire (800 m) | |
| 9 | 586 75 53-01 | 1 | Transformer (EU) | |
| 9 | 586 75 53-02 | 1 | Transformer (UK/IRL) | |
| 9 | 586 75 53-03 | 1 | Transformer (CH) | |
| 9 | 586 75 53-04 | 1 | Transformer (US/CA) | |
| 9 | 586 75 53-05 | 1 | Transformer (AU/NZ) | |
| 10 | 544 17 75-01 | 1 | Measuring Tape | |
| 11 | 577 86 46-02 | 1 | Long Life Safety Blades, Blister Pack, 9 pcs | |
| 11 | 577 60 65-04 | 1 | Long Life Safety Blades, 45 pcs | |
| 11 | 577 60 66-03 | 1 | Long Life Safety Blades, 300 pcs | |
| 12 | 115 78 66-01 | 1 | Operator's Manual, Swedish | |
| 12 | 115 78 66-06 | 1 | Operator's Manual, Danish | |
| 12 | 115 78 66-11 | 1 | Operator's Manual, Finnish | |
| 12 | 115 78 66-21 | 1 | Operator's Manual, Norwegian | |
| 12 | 115 78 66-26 | 1 | Operator's Manual, English | |
| 12 | 115 78 66-31 | 1 | Operator's Manual, French | |
| 12 | 115 78 66-32 | 1 | Operator's Manual, French (Canada) | |
| 12 | 115 78 66-36 | 1 | Operator's Manual, Dutch | |
| 12 | 115 78 66-41 | 1 | Operator's Manual, Italian | |
| 12 | 115 78 66-46 | 1 | Operator's Manual, Spanish | |
| 12 | 115 78 66-51 | 1 | Operator's Manual, German | |
| 12 | 115 78 66-56 | 1 | Operator's Manual, Russian | |
| 12 | 115 78 66-58 | 1 | Operator's Manual, Hungarian | |
| 12 | 115 78 66-59 | 1 | Operator's Manual, Portuguese | |
| 12 | 115 78 66-61 | 1 | Operator's Manual, Polish | |
| 12 | 115 78 66-62 | 1 | Operator's Manual, Romanian | |
| 12 | 115 78 66-63 | 1 | Operator's Manual, Estonian | |
| 12 | 115 78 66-64 | 1 | Operator's Manual, Latvian | |
| 12 | 115 78 66-65 | 1 | Operator's Manual, Lithuanian | |
| 12 | 115 78 66-68 | 1 | Operator's Manual, Slovakian | |
| 12 | 115 78 66-71 | 1 | Operator's Manual, Greek | |
| 12 | 115 78 66-76 | 1 | Operator's Manual, Turkish | |
| 12 | 115 78 66-81 | 1 | Operator's Manual, Croatian | |
| 12 | 115 78 66-84 | 1 | Operator's Manual, Slovenian | |
| 12 | 115 78 66-90 | 1 | Operator's Manual, Czech | |
| 12 | 115 78 66-95 | 1 | Operator's Manual, English: EPA, CARB | |
| 12 | 115 78 66-96 | 1 | Operator's Manual, Spanish (US) | |
| 13 | 115 78 67-10 | 1 | Quick Guide, Swedish, Danish, Norwegian, Finnish | |
| 13 | 115 78 67-20 | 1 | Quick Guide, German, French, Dutch, Slovenian | |
| 13 | 115 78 67-30 | 1 | Quick Guide, Spanish, Portuguese, Italian, English | |
| 13 | 115 78 67-38 | 1 | Quick Guide, English, Spanish, French, Japanese (incl. US/CA) | |
| 13 | 115 78 67-39 | 1 | Quick Guide, German, French, Italian, English | |
| 13 | 115 78 67-40 | 1 | Quick Guide, Russian, Estonian, Latvian, Lithuanian | |
| 13 | 115 78 67-50 | 1 | Quick Guide, Czech, Slovak, Polish, Hungarian | |
| 13 | 115 78 67-93 | 1 | Quick Guide, Croatian, Turkish, Romanian, Greek | |
| 14 | 579 82 51-01 | 1 | Low Voltage Cable 20 meter | |
| 15 | 579 82 51-02 | 1 | Low Volt Cabel 10 meter | |
| 16 | 579 82 51-03 | 1 | Low Volt Cabel 3 meter | |
| 17 | 575 23 86-01 | 1 | Screw KIT, 6 pcs | |
| 17 | 577 86 49-01 | 1 | Screw KIT, Blister Pack, 3 pcs | |
| 18 | 586 27 79-01 | 1 | Sticker Cable Markers, 10 pcs | |
| 19 | 579 57 12-01 | 1 | Label Alarm | |

AUTOMOWER 420 ACCESSORIES



| Position | Article | Quantity | Notes | Kit / Assy |
|----------|--------------|----------|---|------------|
| 1 | 586 66 23-03 | 1 | Automower Connect KIT | |
| 2 | 579 77 81-02 | 1 | SIM Card | 1 |
| 3 | 577 85 81-03 | 1 | DVD Autocheck EXP | |
| 4 | 577 51 81-02 | 1 | Service Cable (USB) | |
| 5 | 577 60 68-01 | 1 | Interruption Detector | |
| 6 | 522 91 67-01 | 1 | Bag | |
| 7 | 588 40 84-01 | 1 | Quick Charger with Battery Test | |
| 8 | 588 20 26-01 | 1 | Cable Quick Charger | |
| 9 | 580 68 95-02 | 1 | Warranty Seal 1pcs | |
| 10 | 585 01 97-02 | 1 | Wall Hanger | |
| 11 | 580 96 56-02 | 1 | Body KIT White | |
| 12 | 581 90 31-02 | | Brush KIT incl. Brush, 6 pcs | 13 |
| 13 | 581 88 97-02 | 1 | Rear Wheel KIT incl. Brush KIT | |
| 14 | 581 98 20-02 | 1 | Brush, 6 pcs | 12,13 |
| 15 | 585 01 94-01 | 1 | House KIT | |
| 16 | 577 46 90-01 | 1 | Decal | 15 |
| 17 | 586 88 58-01 | 1 | Cover Lid | 15 |
| 18 | 585 32 40-02 | 1 | Handle Left | 15 |
| 19 | 585 32 41-01 | 1 | Steel Rod | 15 |
| 20 | 580 51 14-01 | 2 | Spring | 15 |
| 21 | 585 34 15-01 | 2 | Hinge Pin | 15 |
| 22 | 585 34 16-01 | 1 | Beam | 15 |
| 23 | 575 54 33-14 | 9 | Screw | 15 |
| 24 | 585 32 40-01 | 1 | Handle Right | 15 |
| 25 | 585 32 36-01 | 1 | Hatch | 15 |
| 26 | 585 32 34-01 | 1 | Cover Base | 15 |
| 27 | 575 23 86-01 | 1 | Screw KIT, 6 pcs | 15 |
| 28 | 585 32 38-02 | 1 | Support Base Left | 15 |
| 29 | 503 22 66-01 | 4 | Square Nut | 15 |
| 30 | 585 32 38-01 | 1 | Support Base Right | 15 |
| 31 | 535 12 93-03 | 4 | Screw | 15 |
| 32 | 115 81 90-01 | 1 | Technical Handbook -420, 430X, 450X Swedish | |
| 32 | 115 81 90-06 | 1 | Technical Handbook -420, 430X, 450X Danish | |
| 32 | 115 81 90-11 | 1 | Technical Handbook -420, 430X, 450X Finnish | |
| 32 | 115 81 90-21 | 1 | Technical Handbook -420, 430X, 450X Norwegian | |
| 32 | 115 81 90-26 | 1 | Technical Handbook -420, 430X, 450X English | |
| 32 | 115 81 90-31 | 1 | Technical Handbook -420, 430X, 450X French | |
| 32 | 115 81 90-36 | 1 | Technical Handbook -420, 430X, 450X Dutch | |
| 32 | 115 81 90-41 | 1 | Technical Handbook -420, 430X, 450X Italian | |
| 32 | 115 81 90-46 | 1 | Technical Handbook -420, 430X, 450X Spanish | |
| 32 | 115 81 90-51 | 1 | Technical Handbook -420, 430X, 450X German | |
| 32 | 115 81 90-56 | 1 | Technical Handbook -420, 430X, 450X Russian | |
| 32 | 115 81 90-58 | 1 | Technical Handbook -420, 430X, 450X Hungarian | |
| 32 | 115 81 90-59 | 1 | Technical Handbook -420, 430X, 450X Portuguese | |
| 32 | 115 81 90-61 | 1 | Technical Handbook -420, 430X, 450X Polish | |
| 32 | 115 81 90-62 | 1 | Technical Handbook -420, 430X, 450X Romanian | |
| 32 | 115 81 90-63 | 1 | Technical Handbook -420, 430X, 450X Estonian | |
| 32 | 115 81 90-64 | 1 | Technical Handbook -420, 430X, 450X Latvian | |
| 32 | 115 81 90-65 | 1 | Technical Handbook -420, 430X, 450X Lithuanian | |
| 32 | 115 81 90-68 | 1 | Technical Handbook -420, 430X, 450X Slovakian | |
| 32 | 115 81 90-71 | 1 | Technical Handbook -420, 430X, 450X Greek | |
| 32 | 115 81 90-76 | 1 | Technical Handbook -420, 430X, 450X Turkish | |
| 32 | 115 81 90-79 | 1 | Technical Handbook -420, 430X, 450X Japanese | |
| 32 | 115 81 90-81 | 1 | Technical Handbook -420, 430X, 450X Croatian | |
| 32 | 115 81 90-84 | 1 | Technical Handbook -420, 430X, 450X Slovenian | |
| 32 | 115 81 90-90 | 1 | Technical Handbook -420, 430X, 450X Czech | |
| 32 | 115 81 90-96 | 1 | Technical Handbook -420, 430X, 450X Spanish (USA) | |