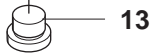
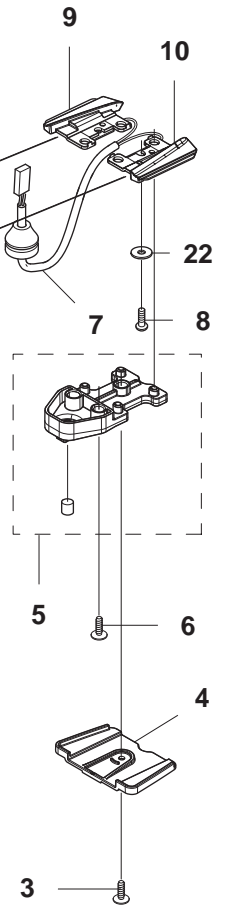
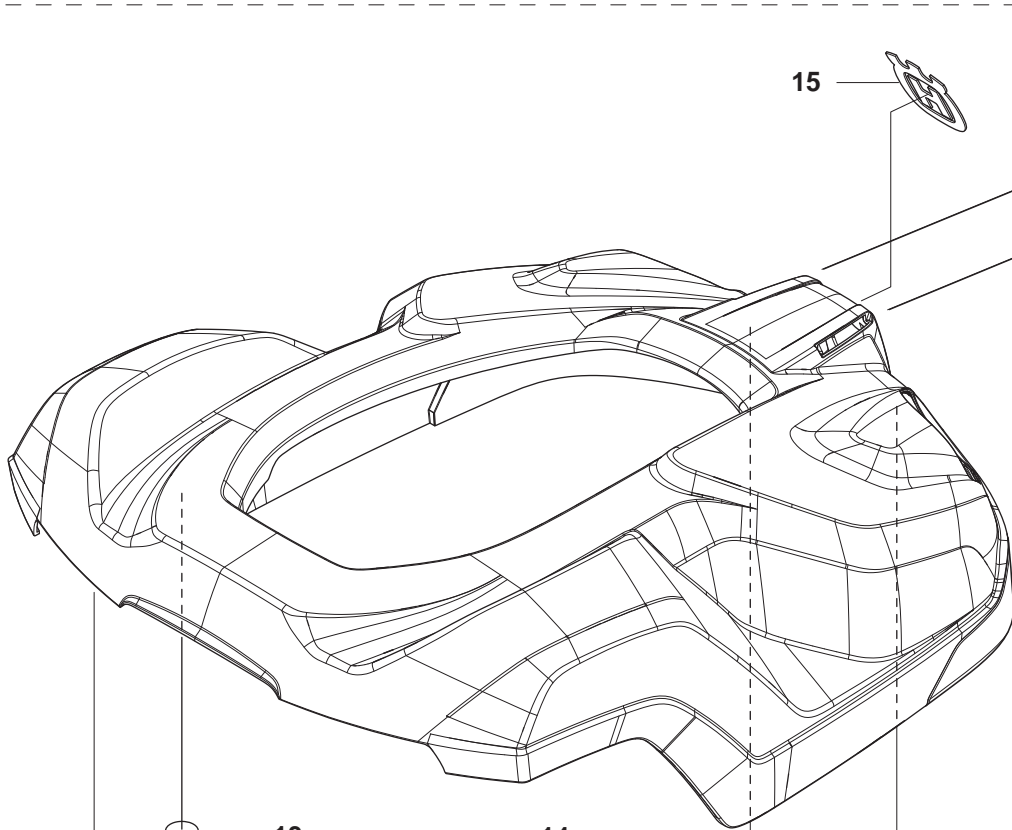
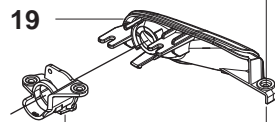
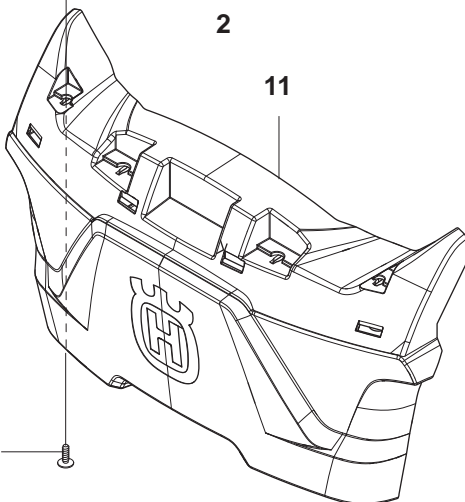
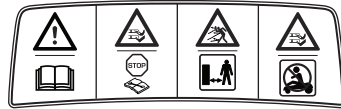


A AUTOMOWER 330X BODY

1

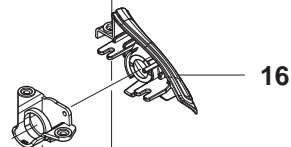


14



21

20



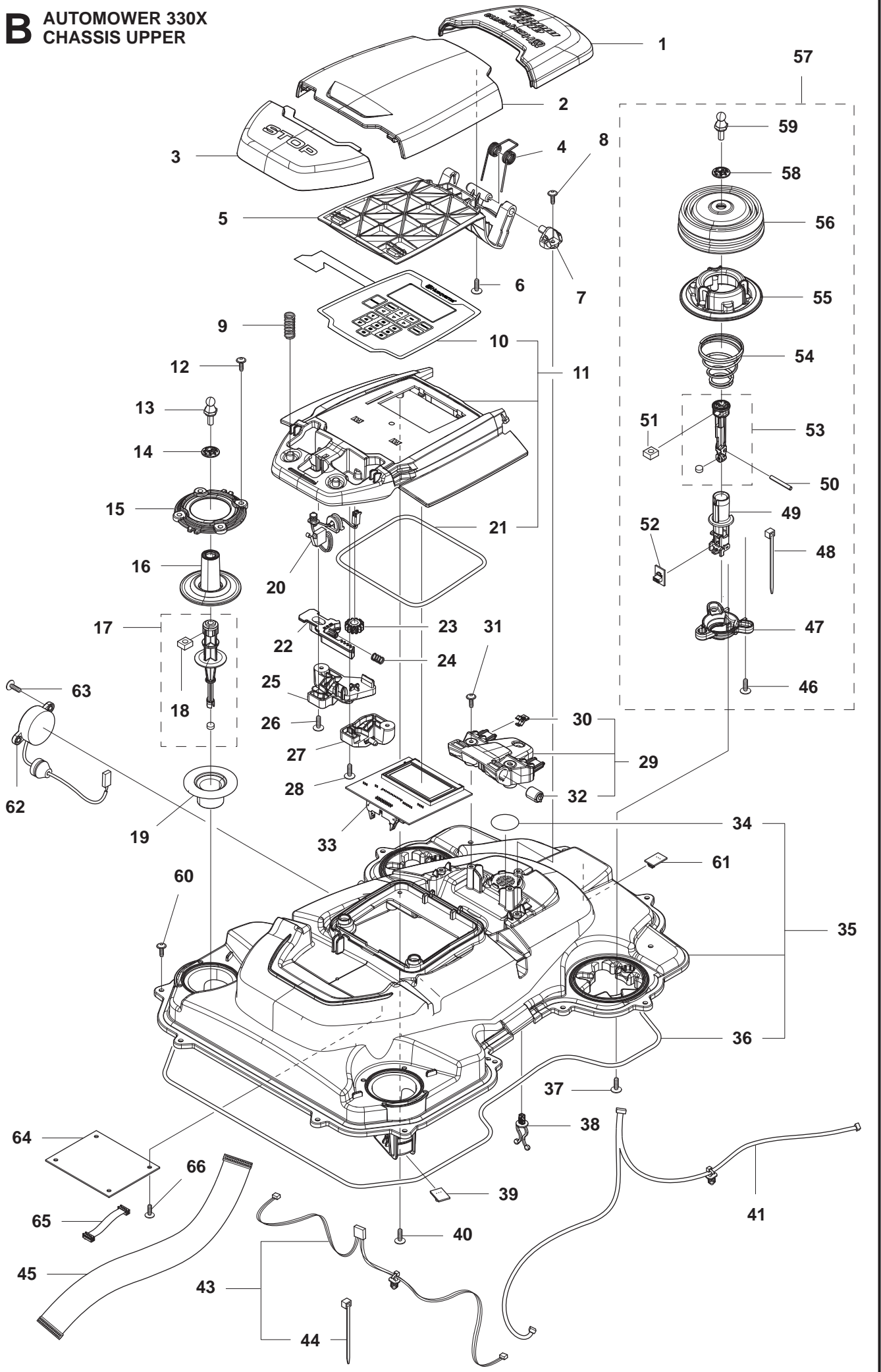
18

17

12

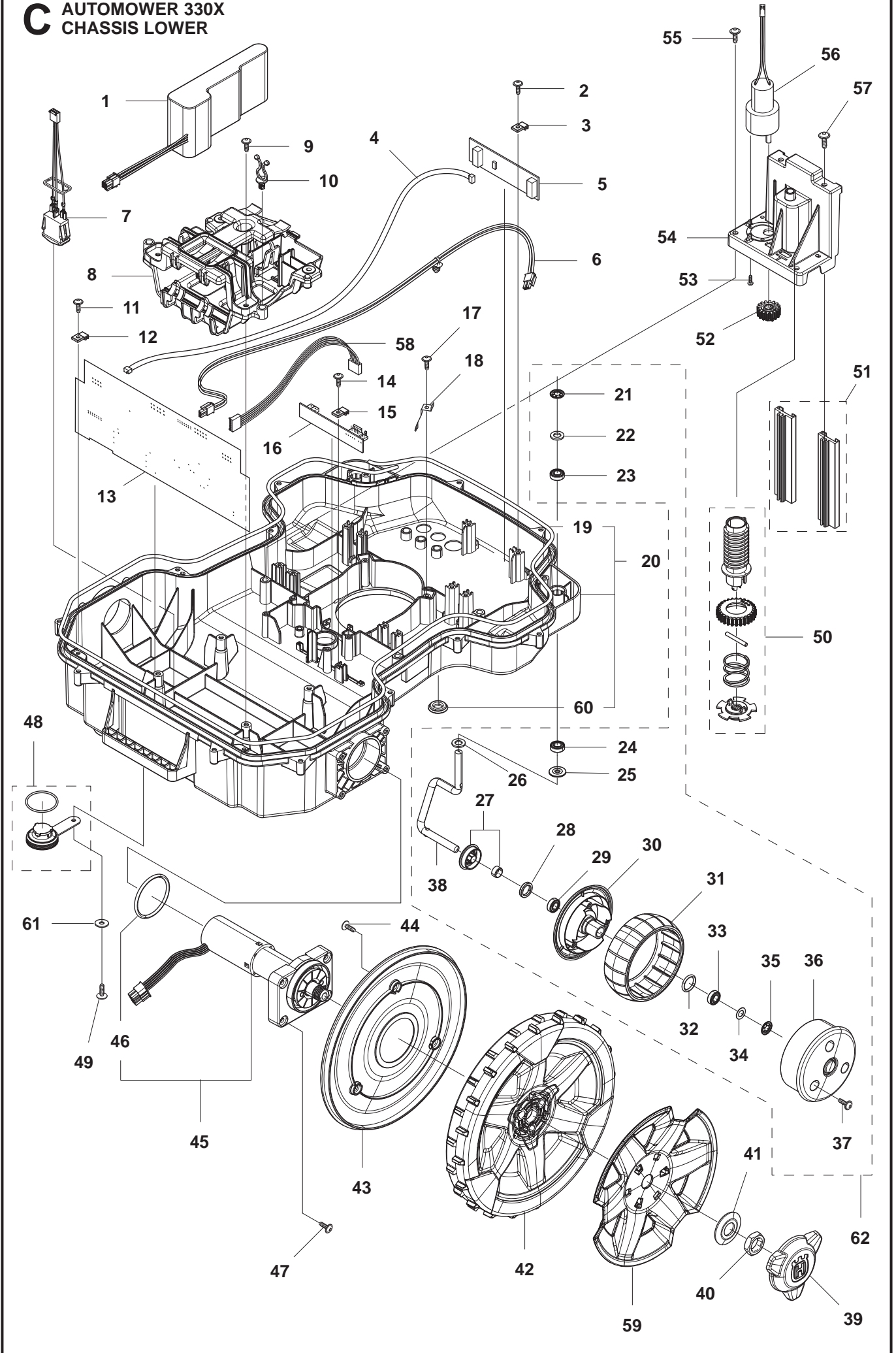
| Page A 330X | | BODY | | |
|-------------|--------------|----------|--------------|------|
| Position | Article | Quantity | Notes | Kit |
| 1 | 580 76 64-02 | 1 | BODY SYSTEM | |
| 2 | 583 94 31-01 | 1 | BODY KIT | 1 |
| 3 | 575 54 33-14 | 1 | SCREW | 1 |
| 4 | 580 35 19-01 | 1 | SHIELD | 1 |
| 5 | 581 62 05-01 | 1 | HOLDER KIT | 1 |
| 6 | 575 54 33-14 | 2 | SCREW | 1 |
| 7 | 580 25 73-01 | 1 | LOOM | 1 |
| 8 | 580 87 78-01 | 2 | SCREW ITPANT | 1 |
| 9 | 579 53 30-01 | 1 | COVER | 1 |
| 10 | 579 53 30-02 | 1 | COVER | 1 |
| 11 | 579 51 98-02 | 1 | BUMPER | 1 |
| 12 | 574 45 01-01 | 4 | SCREW ITPANT | 1 |
| 13 | 580 52 68-01 | 4 | CAP | 1, 2 |
| 14 | 579 72 48-01 | 1 | LABEL | 1, 2 |
| 15 | 574 38 21-01 | 1 | DECAL | 1, 2 |
| 16 | 580 49 73-02 | 1 | INSERT | 1 |
| 17 | 575 54 33-14 | 3 | SCREW | 1 |
| 18 | 580 49 74-04 | 1 | HOLDER | 1 |
| 19 | 580 49 73-01 | 1 | INSERT | 1 |
| 20 | 575 54 33-14 | 3 | SCREW | 1 |
| 21 | 580 49 74-03 | 1 | HOLDER | 1 |
| 22 | 734 11 37-41 | 2 | WASHER | 1 |

B AUTOMOWER 330X
CHASSIS UPPER



| Position | Article | Quantity | Notes | Kit |
|----------|--------------|----------|------------------------------|--------|
| 1 | 579 45 83-03 | 1 | COVER | |
| 2 | 579 45 85-01 | 1 | HATCH | |
| 3 | 579 45 81-01 | 1 | BUTTON | |
| 4 | 580 67 30-01 | 1 | TORSION SPRING | |
| 5 | 579 45 86-01 | 1 | HINGE | |
| 6 | 575 54 33-14 | 2 | SCREW | |
| 7 | 579 45 87-01 | 2 | HINGE PIN | |
| 8 | 575 54 33-14 | 2 | SCREW | |
| 9 | 535 13 01-01 | 2 | SPRING | |
| 10 | 579 62 79-01 | 1 | KEYBOARD | 11 |
| 11 | 583 94 37-01 | 1 | COVER KIT | |
| 12 | 574 45 01-01 | 8 | SCREW ITPANT | |
| 13 | 580 52 67-01 | 2 | STUD | |
| 14 | 579 52 57-01 | 2 | WASHER | |
| 15 | 579 52 59-01 | 2 | RING FASTENER | |
| 16 | 577 52 58-01 | 2 | RUBBER GAITERS | |
| 17 | 579 24 88-01 | 2 | COLUMN, kit | |
| 18 | 503 22 66-01 | 2 | SQUARE NUT | 17 |
| 19 | 535 14 32-01 | 2 | DEFLECTION LIMITER | |
| 20 | 574 48 03-01 | 1 | SWITCH | |
| 21 | 574 87 47-06 | 1 | SEALING STRIP, Ø5 mm | 11 |
| 21 | 581 90 32-02 | 1 | SEALING STRIP, Ø5 mm, 10 PCS | |
| 22 | 579 45 88-01 | 2 | LOCKING PLATE | |
| 23 | 579 45 84-01 | 1 | GEAR WHEEL | |
| 24 | 576 24 22-01 | 2 | SPRING | |
| 25 | 579 50 50-01 | 1 | BRACKET | |
| 26 | 575 54 33-14 | 2 | SCREW | |
| 27 | 579 50 50-02 | 1 | BRACKET | |
| 28 | 575 54 33-14 | 2 | SCREW | |
| 29 | 581 62 07-01 | 1 | SUPPORT KIT | |
| 30 | 580 35 45-01 | 2 | CLIP | 29 |
| 31 | 575 54 33-14 | 3 | SCREW | |
| 32 | 580 35 23-01 | 2 | DAMPER | 29 |
| 33 | 578 12 71-01 | 1 | PRINTED CIRCUIT ASSY | |
| 34 | 577 75 37-01 | 1 | AIR KIT (10 pcs) | 35 |
| 35 | 581 62 08-01 | 1 | CHASSIS KIT | |
| 36 | 574 87 47-05 | 1 | SEALING STRIP, Ø5 mm | 35 |
| 36 | 581 90 32-01 | 1 | SEALING STRIP, Ø5 mm, 10 PCS | |
| 37 | 574 45 01-01 | 6 | SCREW ITPANT | |
| 38 | 580 68 29-01 | 2 | HOLDER | |
| 39 | 579 66 91-01 | 1 | PRINTED CIRCUIT ASSY | |
| 40 | 575 54 33-14 | 4 | SCREW | |
| 41 | 581 66 09-01 | 1 | LOOM KIT | |
| 43 | 581 62 11-01 | 1 | LOOM KIT | |
| 44 | 900 23 87-08 | 2 | TIE WRAP | 43 |
| 45 | 579 70 62-01 | 1 | LOOM | |
| 46 | 575 54 33-14 | 6 | SCREW | 57 |
| 47 | 579 48 47-01 | 2 | SEAT | 57 |
| 48 | 900 23 87-08 | 2 | TIE WRAP | 57 |
| 49 | 579 48 46-01 | 2 | JOYSTICK | 57 |
| 50 | 720 12 77-06 | 2 | PARALLEL PIN | 57 |
| 51 | 503 22 66-01 | 2 | SQUARE NUT | 53, 57 |
| 52 | 579 66 90-01 | 2 | PRINTED CIRCUIT ASSY | 57 |
| 53 | 583 94 33-02 | 2 | ROD KIT | 57 |
| 54 | 580 67 25-01 | 2 | SPRING | 57 |
| 55 | 579 48 48-01 | 2 | RETAINER | 57 |
| 56 | 579 47 46-01 | 2 | BELLOWS | 57 |
| 57 | 581 62 09-02 | 2 | JOYSTICK KIT | |
| 58 | 579 52 57-01 | 2 | WASHER | 57 |
| 59 | 580 52 67-01 | 2 | STUD | 57 |
| 60 | 574 45 01-01 | 14 | SCREW ITPANT | |
| 61 | 579 66 91-01 | 1 | PRINTED CIRCUIT ASSY | |
| 62 | 579 70 63-02 | 1 | BUZZER | |
| 63 | 575 54 33-14 | 2 | SCREW | |
| 64 | 581 01 40-01 | 1 | GPS BOARD | |
| 65 | 581 29 18-01 | 1 | LOOM | |
| 66 | 575 54 33-14 | 4 | SCREW | |

C AUTOMOWER 330X CHASSIS LOWER

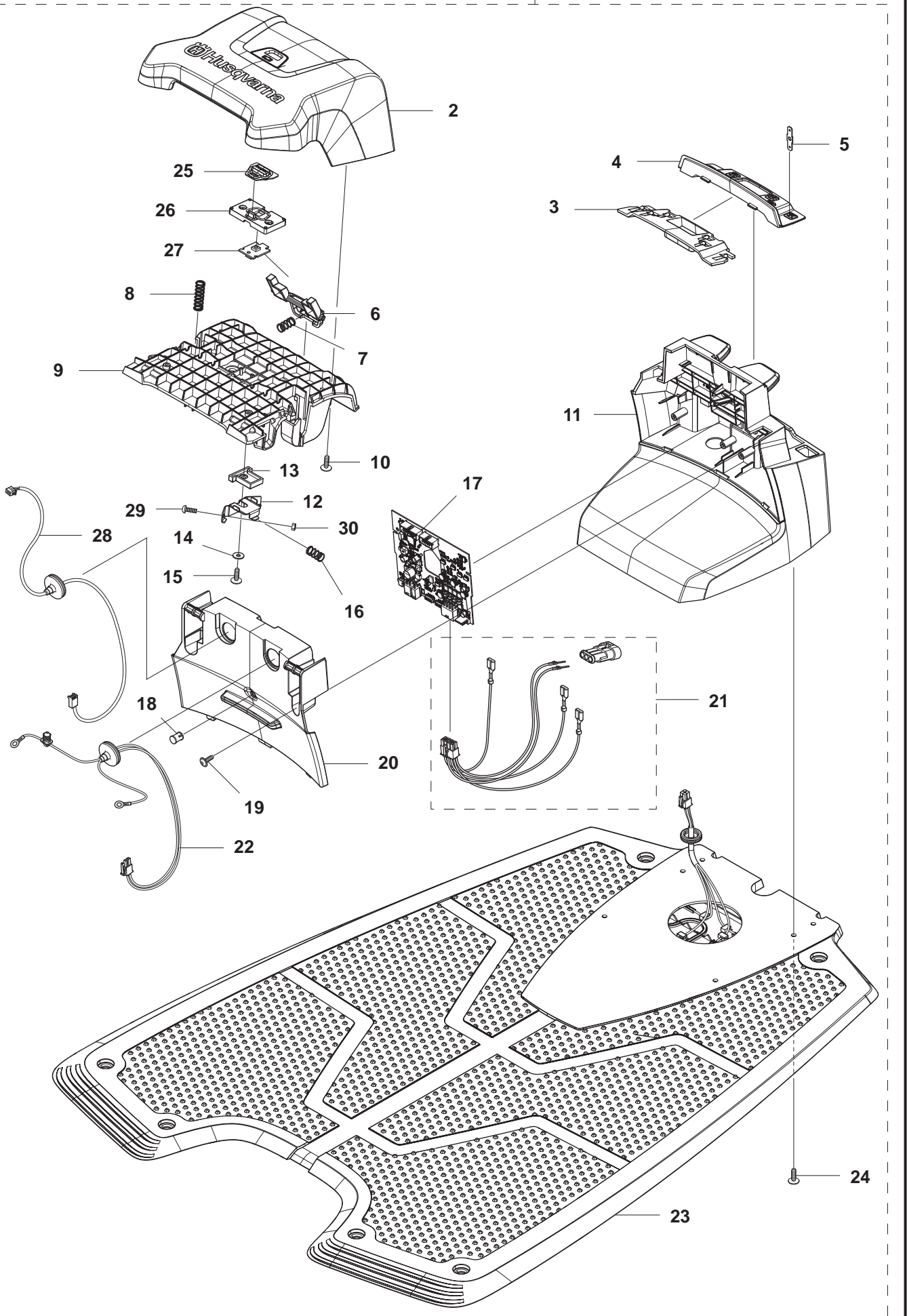


| Position | Article | Quantity | Notes | Kit |
|----------|--------------|----------|------------------------------|-----|
| 1 | 580 68 33-01 | 2 | BATTERY | |
| 2 | 575 54 33-14 | 2 | SCREW | |
| 3 | 579 52 94-01 | 2 | CLAMP | |
| 4 | 579 70 82-01 | 1 | LOOM | |
| 5 | 579 66 02-01 | 1 | PRINTED CIRCUIT ASSY | |
| 6 | 580 37 07-01 | 1 | LOOM | |
| 7 | 579 70 87-01 | 1 | SWITCH, On Off | |
| 8 | 580 60 96-01 | 1 | HOLDER | |
| 9 | 574 45 01-01 | 5 | SCREW ITXPANT | |
| 10 | 580 68 29-01 | 7 | HOLDER | |
| 11 | 575 54 33-14 | 2 | SCREW | |
| 12 | 579 52 94-01 | 2 | CLAMP | |
| 13 | 578 42 54-03 | 1 | PRINTED CIRCUIT ASSY | |
| 14 | 575 54 33-14 | 1 | SCREW | |
| 15 | 579 52 94-01 | 1 | CLAMP | |
| 16 | 579 72 85-01 | 1 | PRINTED CIRCUIT ASSY | |
| 17 | 575 54 33-14 | 2 | SCREW | |
| 18 | 581 55 61-01 | 2 | SPRING | |
| 19 | 574 87 47-05 | 1 | SEALING STRIP, Ø5 mm | |
| 19 | 581 90 32-01 | 1 | SEALING STRIP, Ø5 mm, 10 PCS | |
| 20 | 583 94 45-01 | 1 | CHASSIS KIT | |
| 21 | 576 01 93-01 | 2 | LOCK WASHER | 62 |
| 22 | 580 76 46-01 | 2 | WASHER | 62 |
| 23 | 580 60 51-01 | 2 | BALL BEARING | 62 |
| 24 | 580 60 51-01 | 2 | BALL BEARING | 62 |
| 25 | 535 08 78-03 | 2 | WASHER | 62 |
| 26 | 580 76 46-01 | 2 | WASHER | 62 |
| 27 | 581 62 15-01 | 2 | SHEILD KIT | 62 |
| 28 | 580 48 71-01 | 2 | SEALING | 62 |
| 29 | 580 60 51-01 | 2 | BALL BEARING | 62 |
| 30 | 579 45 71-01 | 2 | WHEEL | 62 |
| 31 | 574 44 98-01 | 2 | WHEEL | 62 |
| 32 | 580 44 51-01 | 2 | O-RING | 62 |
| 33 | 580 60 51-01 | 2 | BALL BEARING | 62 |
| 34 | 580 76 46-01 | 2 | WASHER | 62 |
| 35 | 576 01 93-01 | 2 | LOCK WASHER | 62 |
| 36 | 579 45 72-01 | 2 | WHEEL | 62 |
| 37 | 575 54 33-14 | 6 | SCREW | 62 |
| 38 | 580 33 61-01 | 2 | SPINDLE | 62 |
| 39 | 579 50 55-01 | 2 | HUB CAP | |
| 40 | 731 43 24-01 | 2 | HEXAGON THIN NUT | |
| 41 | 586 21 06-01 | 2 | SPRING WASHER | |
| 42 | 579 50 60-01 | 2 | REAR WHEEL | |
| 43 | 579 50 56-02 | 2 | COVER | |
| 44 | 575 54 33-14 | 6 | SCREW | |
| 45 | 583 94 44-01 | 2 | MOTOR KIT | |
| 46 | 580 44 39-01 | 2 | O-RING | 45 |
| 47 | 574 45 01-01 | 8 | SCREW ITXPANT | |
| 48 | 581 62 12-01 | 1 | PLUG KIT | |
| 49 | 575 54 33-14 | 1 | SCREW | |
| 50 | 581 62 16-01 | 1 | SCREW KIT | |
| 51 | 581 62 18-01 | 1 | BEARING KIT | |
| 52 | 579 56 47-01 | 1 | GEAR | |
| 53 | 510 01 87-03 | 3 | SCREW | |
| 54 | 579 56 51-01 | 1 | HOUSING | |
| 55 | 575 54 33-14 | 4 | SCREW | |
| 56 | 580 34 21-01 | 1 | MOTOR | |
| 57 | 510 72 29-01 | 2 | SCREW ITXPANT | |
| 58 | 579 70 80-01 | 1 | LOOM | |
| 59 | 579 50 57-01 | 2 | WHEEL COVER | |
| 60 | 581 82 25-01 | 2 | PLUG | 20 |
| 61 | 734 11 37-41 | 1 | WASHER | |
| 62 | 581 62 14-01 | 2 | WHEEL ASSY | |

| Position | Article | Quantity | Notes | Kit |
|----------|--------------|----------|--------------|-----|
| 1 | 580 62 44-01 | 1 | SPRING | |
| 2 | 579 56 46-01 | 1 | LINK | |
| 3 | 575 54 33-14 | 3 | SCREW | |
| 4 | 581 62 18-01 | 1 | BEARING KIT | |
| 5 | 579 56 45-01 | 1 | HOUSING | |
| 6 | 580 75 41-01 | 1 | TIE WRAP | 7 |
| 7 | 581 62 21-01 | 1 | BELLOWS KIT | |
| 8 | 580 23 48-01 | 1 | MOTOR ASSY | |
| 9 | 575 54 33-14 | 4 | SCREW | |
| 10 | 580 79 30-02 | 1 | CUTTING DISC | |
| 11 | 535 13 05-01 | 3 | SCREW | |
| 12 | 535 12 64-01 | 1 | BEARING BOX | |
| 13 | 535 07 57-03 | 2 | BALL BEARING | |
| 14 | 535 07 60-01 | 1 | SCREW | |
| 15 | 581 62 19-01 | 1 | PLATE KIT | |
| 16 | 535 08 25-01 | 1 | GASKET | 15 |
| 17 | 535 08 15-01 | 1 | COVER WASHER | |
| 18 | 575 54 33-10 | 4 | SCREW | |

E AUTOMOWER 330X CHARGING STATION

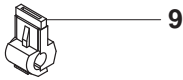
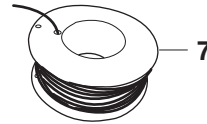
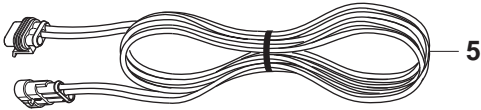
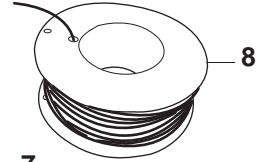
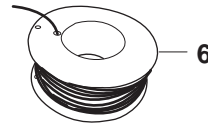
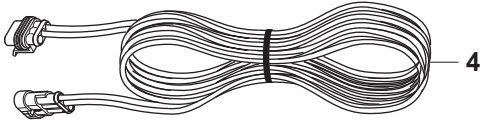
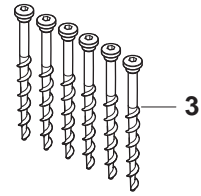
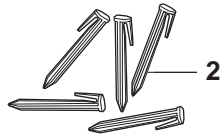
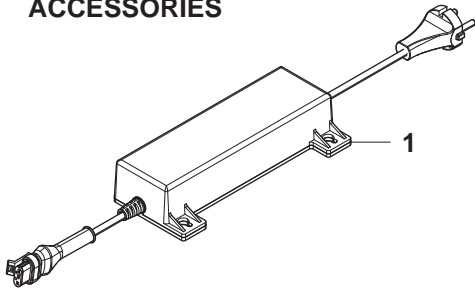
1



CHARGING STATION

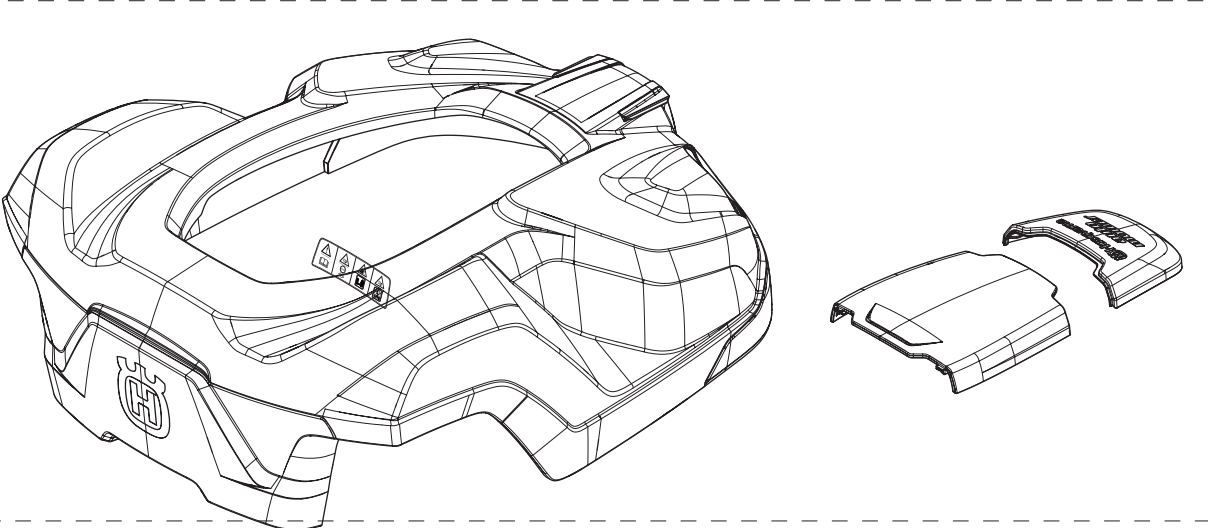
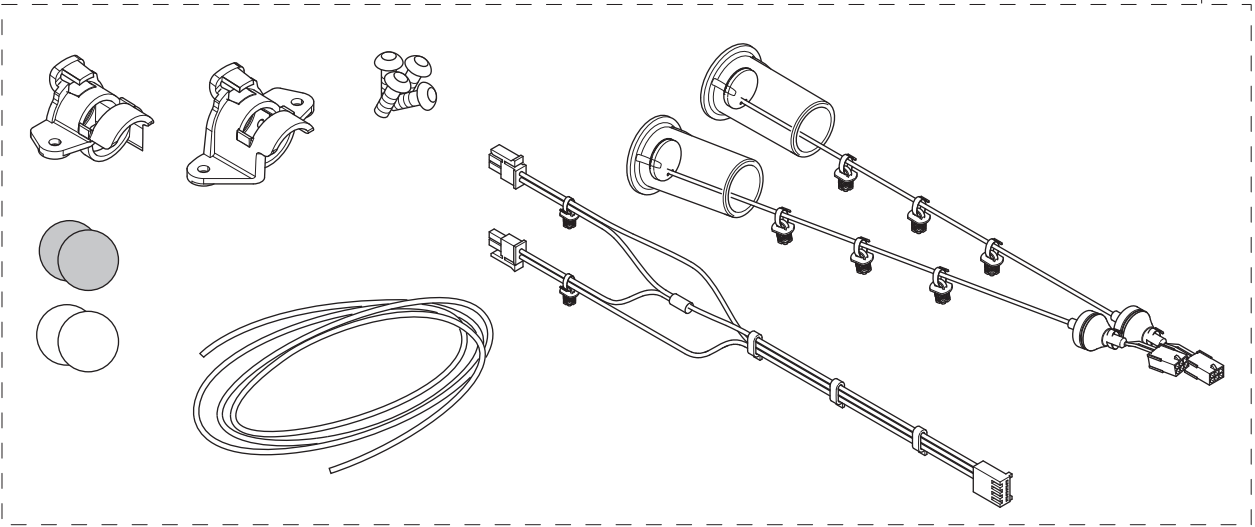
| Position | Article | Quantity | Notes | Kit |
|----------|--------------|----------|----------------------|-----|
| 1 | 580 76 55-02 | 1 | CHARGING STATION | |
| 2 | 579 44 82-04 | 1 | CAP | 1 |
| 3 | 579 45 99-01 | 1 | HOLDER | 1 |
| 4 | 579 45 98-01 | 1 | PANEL | 1 |
| 5 | 580 50 41-01 | 4 | TERMINAL | 1 |
| 6 | 579 46 24-02 | 1 | BUTTON | 1 |
| 7 | 574 48 70-01 | 1 | SPRING | 1 |
| 8 | 580 51 14-01 | 2 | SPRING | 1 |
| 9 | 579 45 80-02 | 1 | FRAME | 1 |
| 10 | 575 54 33-14 | 4 | SCREW | 1 |
| 11 | 579 46 23-02 | 1 | HOUSING | 1 |
| 12 | 579 54 30-01 | 2 | CHARGING PLATE | 1 |
| 13 | 579 46 05-01 | 2 | DISTANCE | 1 |
| 14 | 734 11 37-41 | 2 | WASHER | 1 |
| 15 | 575 54 33-14 | 2 | SCREW | 1 |
| 16 | 580 51 14-01 | 2 | SPRING | 1 |
| 17 | 579 56 55-01 | 1 | PRINTED CIRCUIT ASSY | 1 |
| 18 | 535 12 87-02 | 1 | DIODE LENS | 1 |
| 19 | 575 54 33-14 | 2 | SCREW | 1 |
| 20 | 579 45 97-03 | 1 | LID | 1 |
| 21 | 581 62 23-01 | 1 | LOOM KIT | 1 |
| 22 | 579 70 85-01 | 1 | LOOM | 1 |
| 23 | 575 23 16-01 | 1 | CHARGING PLATE | 1 |
| 24 | 575 54 33-14 | 4 | SCREW | 1 |
| 25 | 580 23 96-01 | 1 | BUTTON | 1 |
| 26 | 579 46 08-01 | 1 | LENS | 1 |
| 27 | 579 73 01-01 | 1 | PRINTED CIRCUIT ASSY | 1 |
| 28 | 579 70 83-01 | 1 | LOOM | 1 |
| 29 | 576 21 38-01 | 2 | SCREW ITXPANM | 1 |
| 30 | 732 25 12-01 | 2 | HEXAGON LOCKING NUT | 1 |

F AUTOMOWER 330X ACCESSORIES



11

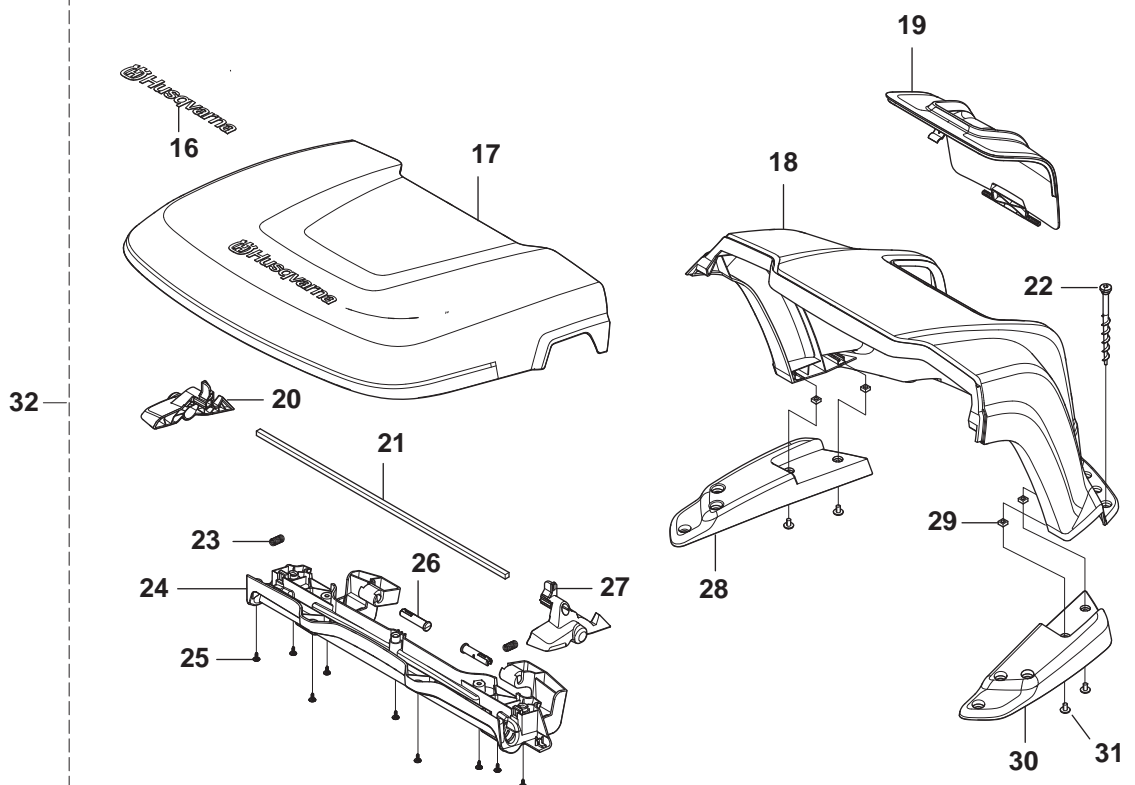
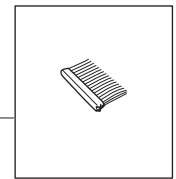
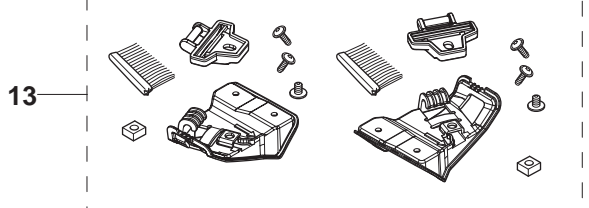
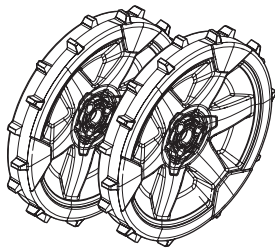
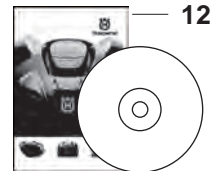
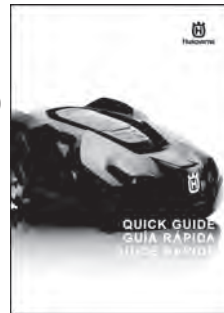
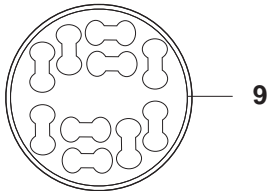
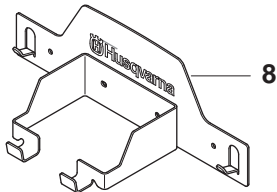
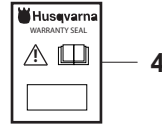
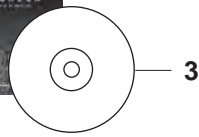
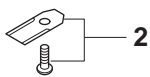
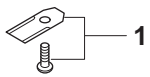
13



14

| Position | Article | Quantity | Notes | Kit |
|----------|--------------|----------|---|-----|
| 1 | 580 38 06-01 | 1 | TRANSFORMER (EU) | |
| 1 | 580 38 06-02 | 1 | TRANSFORMER (UK/IRL) | |
| 1 | 580 38 06-03 | 1 | TRANSFORMER (CH) | |
| 1 | 580 38 06-04 | 1 | TRANSFORMER (US/MX) | |
| 1 | 580 38 06-05 | 1 | TRANSFORMER (AU/NZ) | |
| 2 | 577 86 42-01 | 1 | STAPLE, 105 mm, Blister pack, 100pcs | |
| 2 | 583 97 34-01 | 1 | STAPLE, 85 mm, 100pcs | |
| 3 | 575 23 86-01 | 1 | SCREW KIT, 6pcs | |
| 3 | 577 86 49-01 | 1 | SCREW KIT, Blister Pack, 3pcs | |
| 4 | 580 43 38-01 | 1 | WIRING (20m) | |
| 5 | 580 43 38-02 | 1 | WIRING (10m) | |
| 6 | 580 66 20-02 | 1 | WIRE (150m) | |
| 6 | 577 86 43-01 | 1 | WIRE, Blister pack, (150m) | |
| 7 | 580 66 20-01 | 1 | WIRE (250m) | |
| 8 | 522 91 41-01 | 1 | WIRE (500m, Ø3.4 mm) | |
| 9 | 535 12 90-01 | 1 | Loop Wire Connector | |
| 9 | 577 86 48-01 | 1 | Loop Wire Connector, Blister Pack, 5pcs | |
| 10 | 501 98 02-01 | 1 | COUPLER | |
| 10 | 577 86 47-01 | 2 | COUPLER, Blister pack, 5pcs | |
| 10 | 501 98 02-03 | 1 | COUPLER, 100pcs | |
| 11 | 544 17 75-01 | 1 | MEASURING TAPE | |
| 12 | 579 57 12-01 | 1 | LABEL | |
| 13 | 581 91 25-01 | 1 | HEAD LIGHTS KIT | |
| 14 | 580 96 57-01 | 1 | BODY KIT White | |

G AUTOMOWER 330X ACCESSORIES



| Position | Article | Quantity | Notes | Kit |
|----------|--------------|----------|---|-----|
| 1 | 535 13 87-02 | 1 | BLADE, Carbon steel, 9pcs | |
| 1 | 577 86 44-01 | 1 | BLADE, Carbon steel, Blister Pack, 9pcs | |
| 1 | 535 13 88-02 | 1 | BLADE, Carbon steel, 30pcs | |
| 1 | 505 12 78-02 | 1 | BLADE, Carbon steel, 500pcs | |
| 2 | 577 60 64-02 | 1 | BLADE, Carbon steel, Thick, 9pcs | |
| 2 | 577 86 46-01 | 1 | BLADE, Carbon steel, Thick, Blister Pack, 9pcs | |
| 2 | 577 60 65-02 | 1 | BLADE, Carbon steel, Thick, 30pcs | |
| 2 | 577 60 66-02 | 1 | BLADE, Carbon steel, Thick, 300pcs | |
| 3 | 577 85 81-02 | 1 | DVD Autocheck EXP | |
| 4 | 580 68 95-02 | 1 | Warranty Seal 1pcs | |
| 4 | 584 90 22-01 | 1 | Warranty Seal 10pcs | |
| 5 | 577 60 68-01 | 1 | Interruption detector | |
| 6 | 577 51 81-01 | 1 | Service cable (USB) | |
| 7 | 522 91 67-01 | 1 | BAG | |
| 8 | 585 01 97-01 | 1 | WALL HANGER | |
| 9 | 586 27 79-01 | 1 | STICKER, Cable markers, 10 pcs | |
| 10 | 115 59 41-01 | 1 | OPERATOR'S MANUAL, Swedish | |
| 10 | 115 59 41-06 | 1 | OPERATOR'S MANUAL, Danish | |
| 10 | 115 59 41-11 | 1 | OPERATOR'S MANUAL, Finnish | |
| 10 | 115 59 41-21 | 1 | OPERATOR'S MANUAL, Norwegian | |
| 10 | 115 59 41-26 | 1 | OPERATOR'S MANUAL, English | |
| 10 | 115 59 41-31 | 1 | OPERATOR'S MANUAL, French | |
| 10 | 115 59 41-36 | 1 | OPERATOR'S MANUAL, Dutch | |
| 10 | 115 59 41-41 | 1 | OPERATOR'S MANUAL, Italian | |
| 10 | 115 59 41-46 | 1 | OPERATOR'S MANUAL, Spanish | |
| 10 | 115 59 41-51 | 1 | OPERATOR'S MANUAL, German | |
| 10 | 115 59 41-58 | 1 | OPERATOR'S MANUAL, Hungarian | |
| 10 | 115 59 41-59 | 1 | OPERATOR'S MANUAL, Portuguese | |
| 10 | 115 59 41-61 | 1 | OPERATOR'S MANUAL, Polish | |
| 10 | 115 59 41-62 | 1 | OPERATOR'S MANUAL, Romanian | |
| 10 | 115 59 41-63 | 1 | OPERATOR'S MANUAL, Estonian | |
| 10 | 115 59 41-64 | 1 | OPERATOR'S MANUAL, Latvian | |
| 10 | 115 59 41-65 | 1 | OPERATOR'S MANUAL, Lithuanian | |
| 10 | 115 59 41-68 | 1 | OPERATOR'S MANUAL, Slovak | |
| 10 | 115 59 41-76 | 1 | OPERATOR'S MANUAL, Turkish | |
| 10 | 115 59 41-79 | 1 | OPERATOR'S MANUAL, Japanese | |
| 10 | 115 59 41-81 | 1 | OPERATOR'S MANUAL, Croatian | |
| 10 | 115 59 41-84 | 1 | OPERATOR'S MANUAL, Slovenian | |
| 10 | 115 59 41-90 | 1 | OPERATOR'S MANUAL, Czech | |
| 11 | 115 59 35-10 | 1 | QUICK GUIDE, Swedish, Danish, Norwegian, Finnish | |
| 11 | 115 59 35-20 | 1 | QUICK GUIDE, German, French, Dutch, Slovenian | |
| 11 | 115 59 35-30 | 1 | QUICK GUIDE, Spanish, Portuguese, Italian, English | |
| 11 | 115 59 35-38 | 1 | QUICK GUIDE, English, Spanish, French, Japanese | |
| 11 | 115 59 35-39 | 1 | QUICK GUIDE, German, French, Italian, English | |
| 11 | 115 59 35-40 | 1 | QUICK GUIDE, Russian, Estonian, Latvian, Lithuanian | |
| 11 | 115 59 35-50 | 1 | QUICK GUIDE, Czech, Slovak, Polish, Hungarian | |
| 11 | 115 59 35-93 | 1 | QUICK GUIDE, Croatian, Turkish, Romanian, Greek | |
| 12 | 585 38 53-01 | 1 | DVD OPERATOR'S MANUAL | |
| 13 | 581 90 31-01 | 1 | BRUSH KIT, Incl Brush, 6pcs | |
| 14 | 581 88 97-01 | 1 | REAR WHEEL, Kit Incl. Brush kit | |
| 15 | 581 98 20-01 | 1 | BRUSH, 6pcs | 14 |
| 16 | 577 46 90-01 | 1 | DECAL | 32 |
| 17 | 586 88 58-01 | 1 | COVER LID | 32 |
| 18 | 585 32 34-01 | 1 | COVER BASE | 32 |
| 19 | 585 32 36-01 | 1 | HATCH | 32 |
| 20 | 585 32 40-02 | 1 | HANDLE LEFT | 32 |
| 21 | 585 32 41-01 | 1 | STEEL ROD | 32 |
| 22 | 575 23 86-01 | 1 | SCREW KIT, 6 PCS | 32 |
| 23 | 580 51 14-01 | 2 | SPRING | 32 |
| 24 | 585 34 16-01 | 1 | BEAM | 32 |
| 25 | 575 54 33-14 | 9 | SCREW | 32 |
| 26 | 585 34 15-01 | 2 | HINGE PIN | 32 |
| 27 | 585 32 40-01 | 1 | HANDLE RIGHT | 32 |
| 28 | 585 32 38-02 | 1 | SUPPORT BASE LEFT | 32 |
| 29 | 503 22 66-01 | 4 | SQUARE NUT | 32 |
| 30 | 585 32 38-01 | 1 | SUPPORT BASE RIGHT | 32 |
| 31 | 535 12 93-03 | 4 | SCREW | 32 |
| 32 | 585 01 94-01 | 1 | HOUSE KIT | |