

# 310/315

## 2015

**Spare parts**

**Ersatzteile**

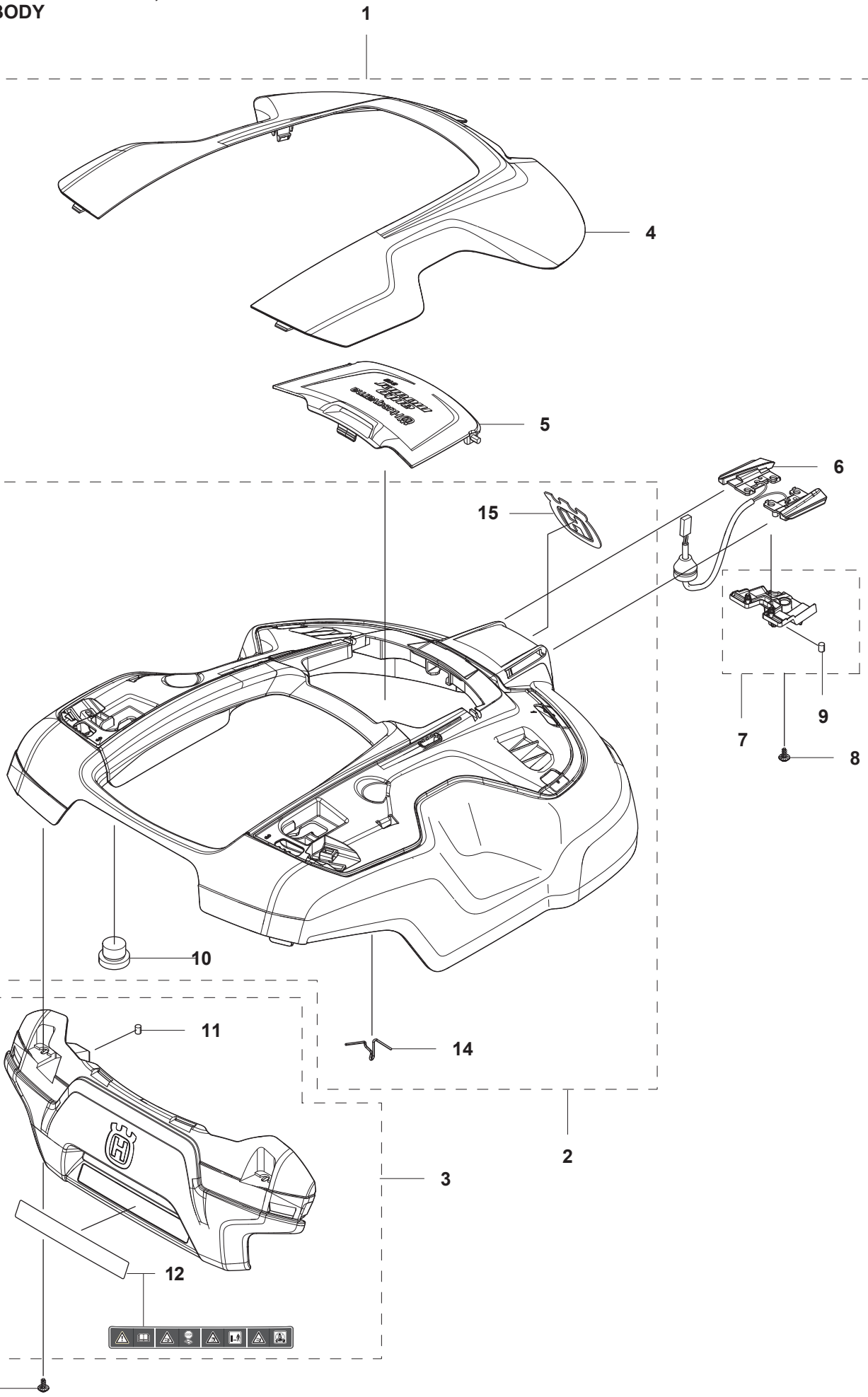
**Pièces détachées**

**Reserve onderdelen**

**Repuestos**

**Reservdelar**

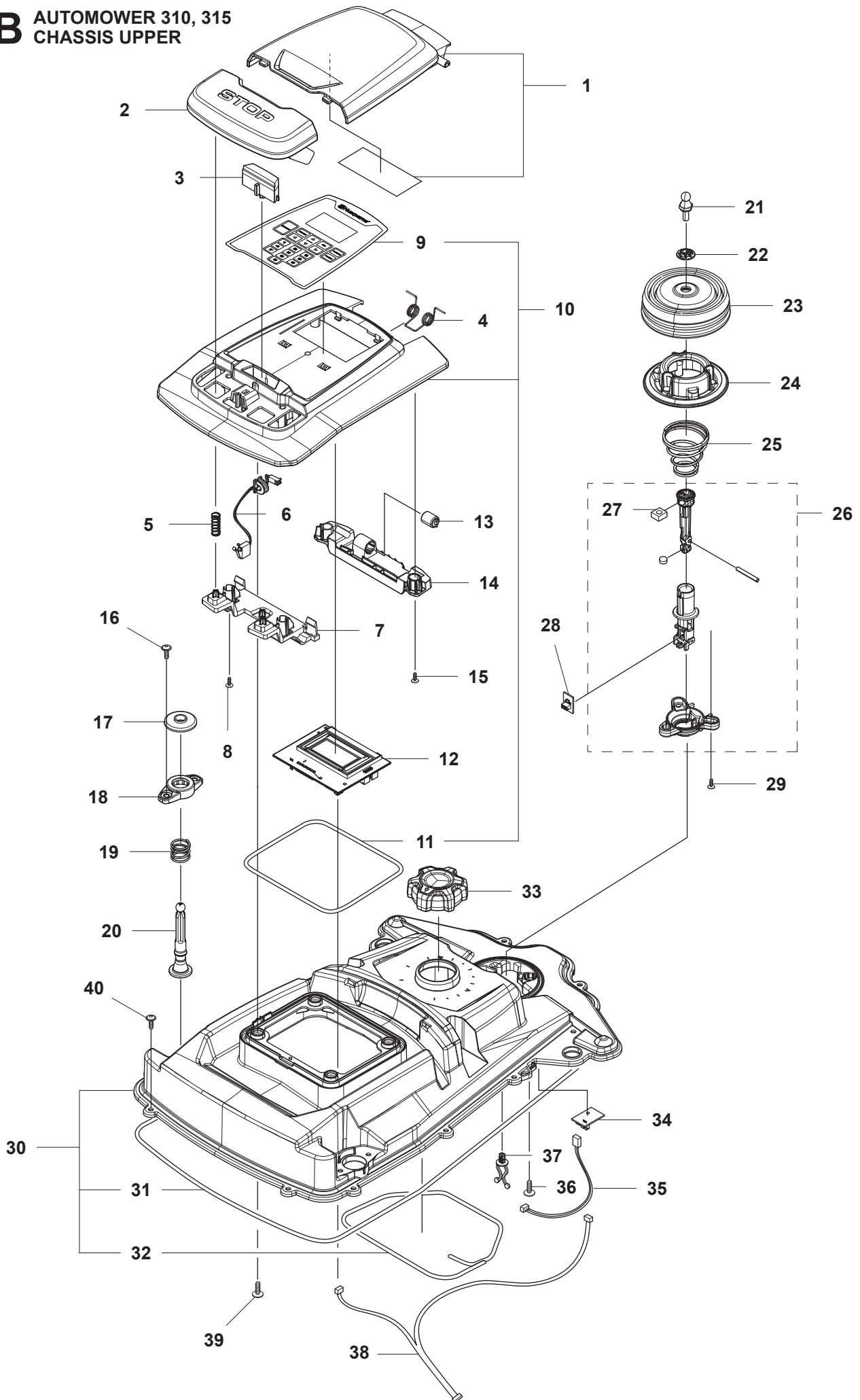
**A** AUTOMOWER 310, 315  
BODY



13

Position	Article	Quantity	Notes	Kit
1	585 52 77-01	1	Body System 310	
1	585 52 77-02	1	Body System 315	
2	587 44 85-01	1	Body Kit	
3	587 44 87-01	1	Bumper KIT	
4	587 23 58-01	1	Top Cover Grey	
4	587 23 58-02	1	Top Cover White	
4	587 23 58-03	1	Top Cover Orange	
5	585 53 81-01	1	Hood 310	
5	585 53 81-02	1	Hood 315	
6	585 53 92-01	1	Loom Charging Plate	
7	587 44 86-01	1	Holder KIT	
8	574 45 01-01	1	Screw	
9	580 53 25-01	1	Magnet	
10	580 52 68-01	3	Cap Snaploc	
11	580 53 25-01	1	Magnet	
12	586 35 97-01	1	Label warning	
13	574 45 01-01	2	Screw	
14	587 41 94-01	1	Spring Hood	
15	574 38 21-01	1	Crown	

**B** AUTOMOWER 310, 315  
CHASSIS UPPER

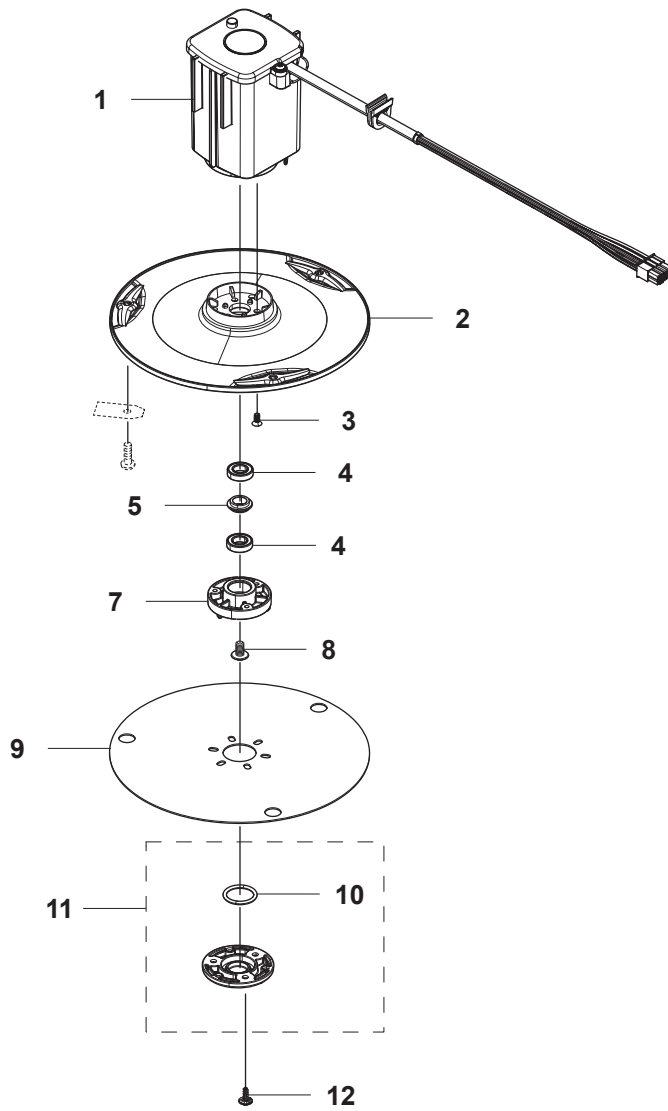


Position	Article	Quantity	Notes	Kit
1	587 65 13-01	1	Hatch KIT	
2	585 27 56-01	1	Stop button	
3	585 27 59-01	1	Lock	
4	585 25 54-01	1	Torsion spring	
5	576 24 22-01	3	Spring	
6	574 48 03-02	1	Switch	
7	585 27 57 -01	1	Support rear	
8	575 54 33-14	2	Screw	
9	584 97 45-01	1	Keyboard 2.1" Display 310	
9	584 97 46-01	1	Keyboard 2.8" Display 315	
10	587 44 90-01	1	Cover KIT 2.1" Display 310	
10	587 44 90-02	1	Cover KIT 2.8" Display 315	
11	574 87 47-08	1	Sealing	
12	584 38 97-01	1	PCBA MMI 2.1" Display 310	
12	584 39 09-01	1	PCBA MMI 2.8" Display 315	
13	580 35 23-02	1	Damper	
14	585 27 54-01	1	Support front	
15	575 54 33-14	2	Screw	
16	574 45 01-01	4	Screw	
17	585 29 82-01	2	Gasket	
18	585 29 83-01	2	Holder	
19	585 29 81-01	2	Spring	
20	585 29 80-01	2	Column	
21	580 52 67-01	1	Stud	
22	579 52 57-01	1	Washer	
23	579 47 46-01	1	Bellow	
24	579 48 48-01	1	Retainer	
25	580 67 25-01	1	Spring	
26	587 44 88-01	1	Joystick KIT	
27	503 22 66-01	1	Square nut	
28	579 66 90-01	1	PCBA Lift Board	
29	575 54 33-14	3	Screw	
30	587 44 89-01	1	Chassis KIT	
31	574 87 47-07	1	Sealing	
32	574 87 47-08	1	Sealing	
33	585 28 14-01	1	Knob	
34	584 96 90-01	1	PCBA Collision Sensor	
35	585 20 85-01	1	Loom Lift-Collision	
36	574 45 01-01	3	Screw	
37	580 68 29-01	3	Holder Twist Lock	
38	585 20 86-01	1	Loom	
39	574 45 01-01	4	Screw	
40	574 45 01-01	12	Screw	



Position	Article	Quantity	Notes	Kit
1	574 45 01-01	2	Screw	
2	585 30 47-01	1	Holder battery	
3	584 85 28-01	1	Battery	
4	585 53 83-01	2	Clips	
5	583 85 18-01	1	Main Board	
6	585 53 90-01	1	Loom Charging	
7	579 70 82-01	1	Loom Loop Sensor	
8	586 34 26-01	2	Pillar	
9	587 24 96-01	1	Weight	
10	574 45 01-01	1	Screw	
11	579 52 94-01	1	Clamp	
12	579 66 02-01	1	Sensor board	
13	587 65 19-01	2	Front Wheel Assy	
14	576 01 94-01	2	Lock washer	
15	585 19 68-01	2	Washer	
16	585 21 42-01	2	Ball Bearing	
17	585 21 42-01	2	Ball Bearing	
18	535 08 78-02	2	Washer	
19	585 19 68-01	2	Washer	
20	585 18 72-01	2	Spindle	
21	587 44 93-01	2	Shield KIT	
22	580 48 71-01	2	Sealing	
23	585 21 42-01	2	Ball Bearing	
24	579 45 71-01	2	Wheel inside	
25	574 44 98-01	2	Wheel Tyre	
26	580 44 51-01	2	O-ring	
27	585 21 42-01	2	Ball bearing	
28	585 19 68-01	2	Washer	
29	576 01 94-01	2	Lock washer	
30	579 45 72-01	2	Wheel outside	
31	575 54 33-14	6	Screw	
32	586 03 89-01	1	Cover filter	
33	581 62 12-01	1	Plug KIT	
34	734 11 37-41	1	Washer	
35	574 45 01-01	1	Screw	
36	579 70 87-01	1	Loom On-Off	
37	587 44 94-01	1	Motor KIT	
38	580 44 39-02	2	O-ring	
39	574 45 01-01	8	Screw	
40	585 06 56-01	2	Cover - Rear wheel	
41	585 06 61-01	2	Rear wheel	
42	586 21 06-01	2	Washer	
43	731 43 24-01	2	Hexagon thin nut	
44	579 50 55-02	2	Hub Cap	
45	574 45 01-01	1	Screw	
46	574 45 01-01	4	Screw	
47	585 28 17-01	1	Gear	
48	574 48 70-01	1	Spring	
49	586 01 88-01	1	Cover	
50	585 27 87-01	1	Screw	
51	585 28 15-01	2	Rail	
52	585 53 78-01	1	Chassis Lower	
53	576 92 15-01	1	Air Filter	
54	574 87 47-07	1	Sealing	
55	574 87 47-08	1	Sealing	

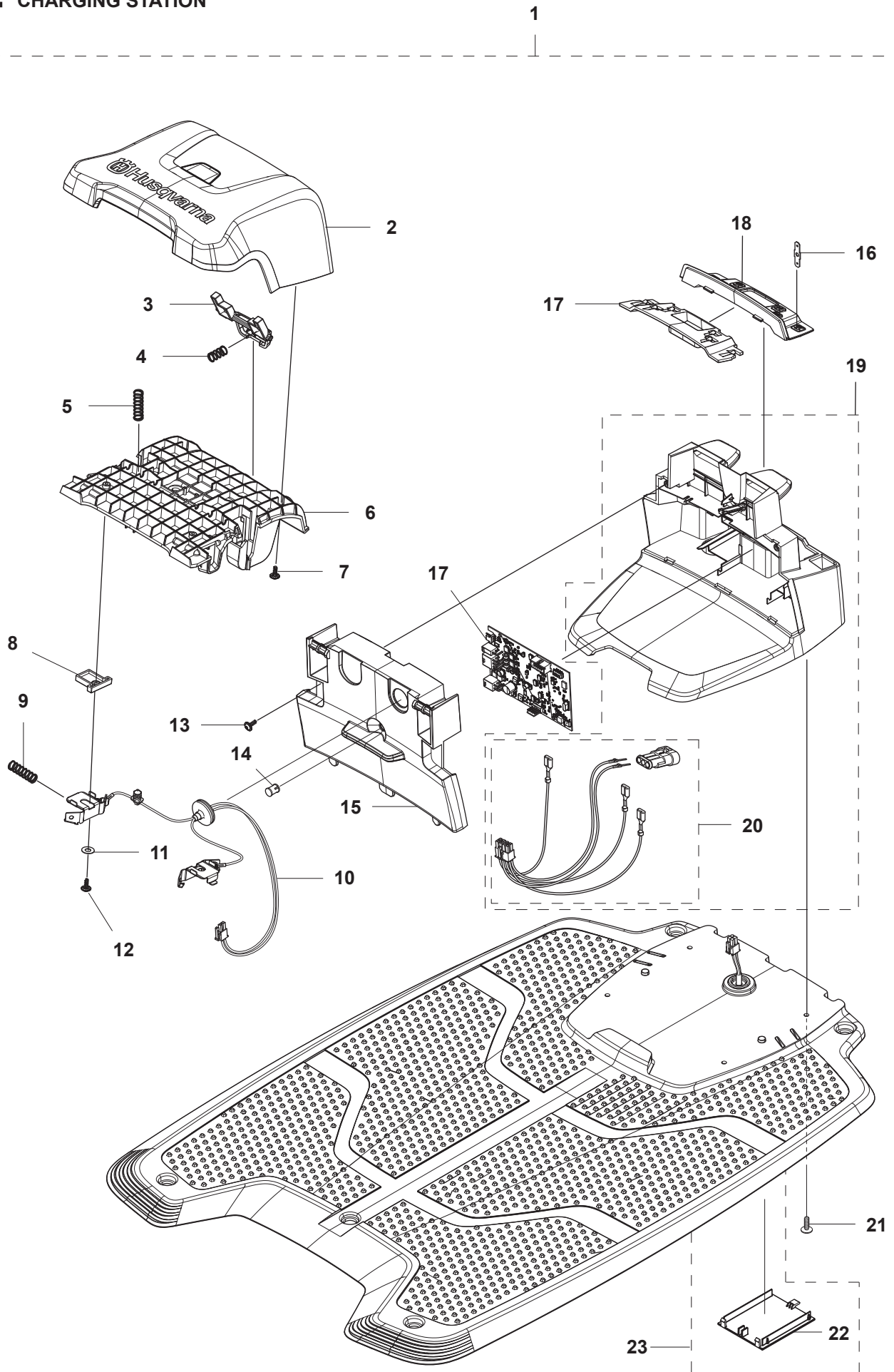
**D** AUTOMOWER 310, 315  
BLADE MOTOR & CUTTING EQUIPMENT





Position	Article	Quantity	Notes	Kit
1	584 92 05-01	1	Motor Assy	
2	585 29 69-01	1	Cutting disk	
3	535 13 05-01	3	Screw	
4	535 07 57-03	2	Ball bearing	
5	585 29 77-01	1	Sleeve	
7	585 57 33-01	1	Bearing housing	
8	535 07 60-01	1	Screw	
9	585 29 70-01	1	Skid Plate	
10	585 29 75-01	1	O-Ring	
11	587 44 96-01	1	Bearing Cover	
12	575 54 33-14	3	Screw	

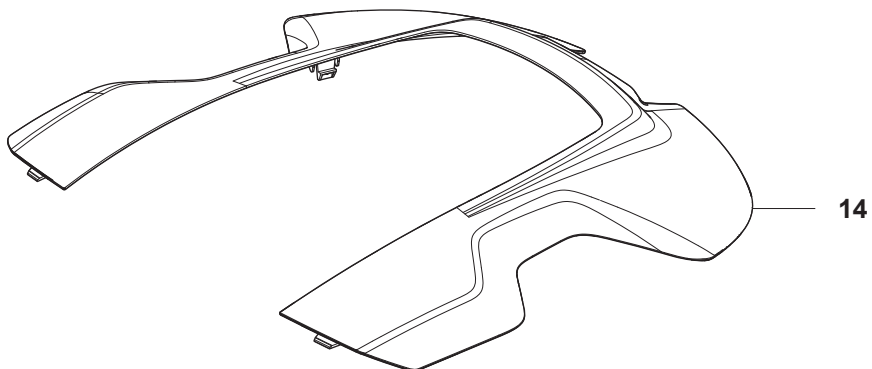
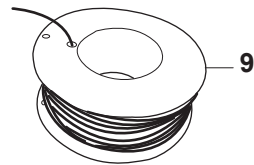
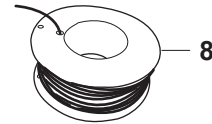
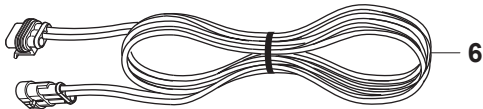
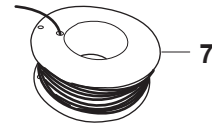
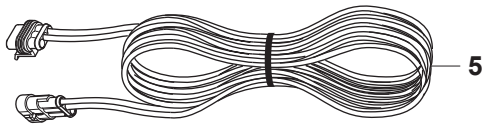
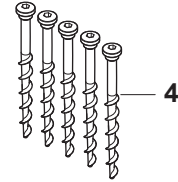
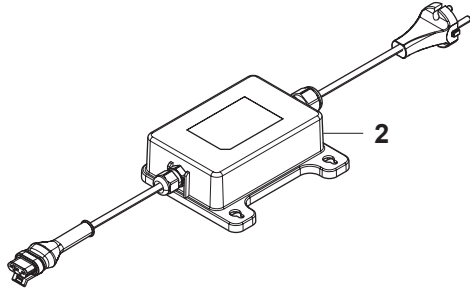
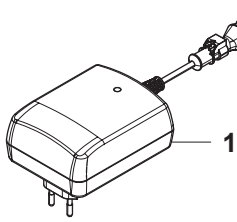
# E AUTOMOWER 310, 315 CHARGING STATION



## CHARGING STATION

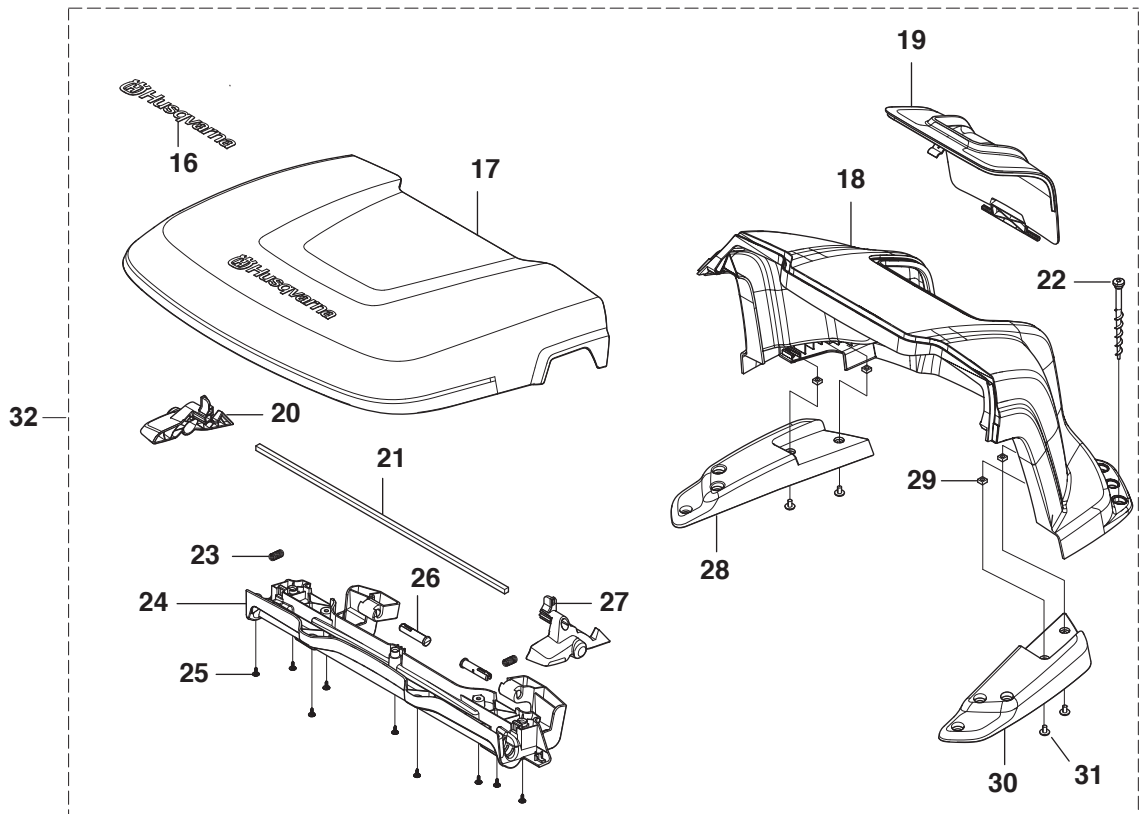
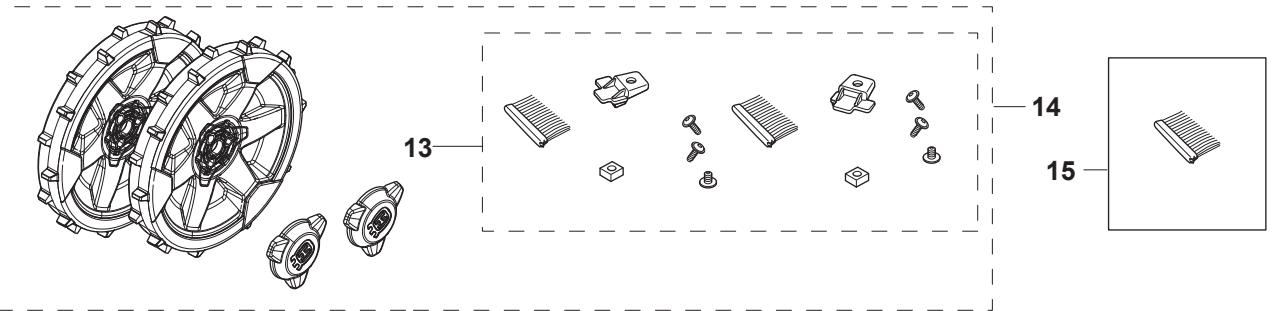
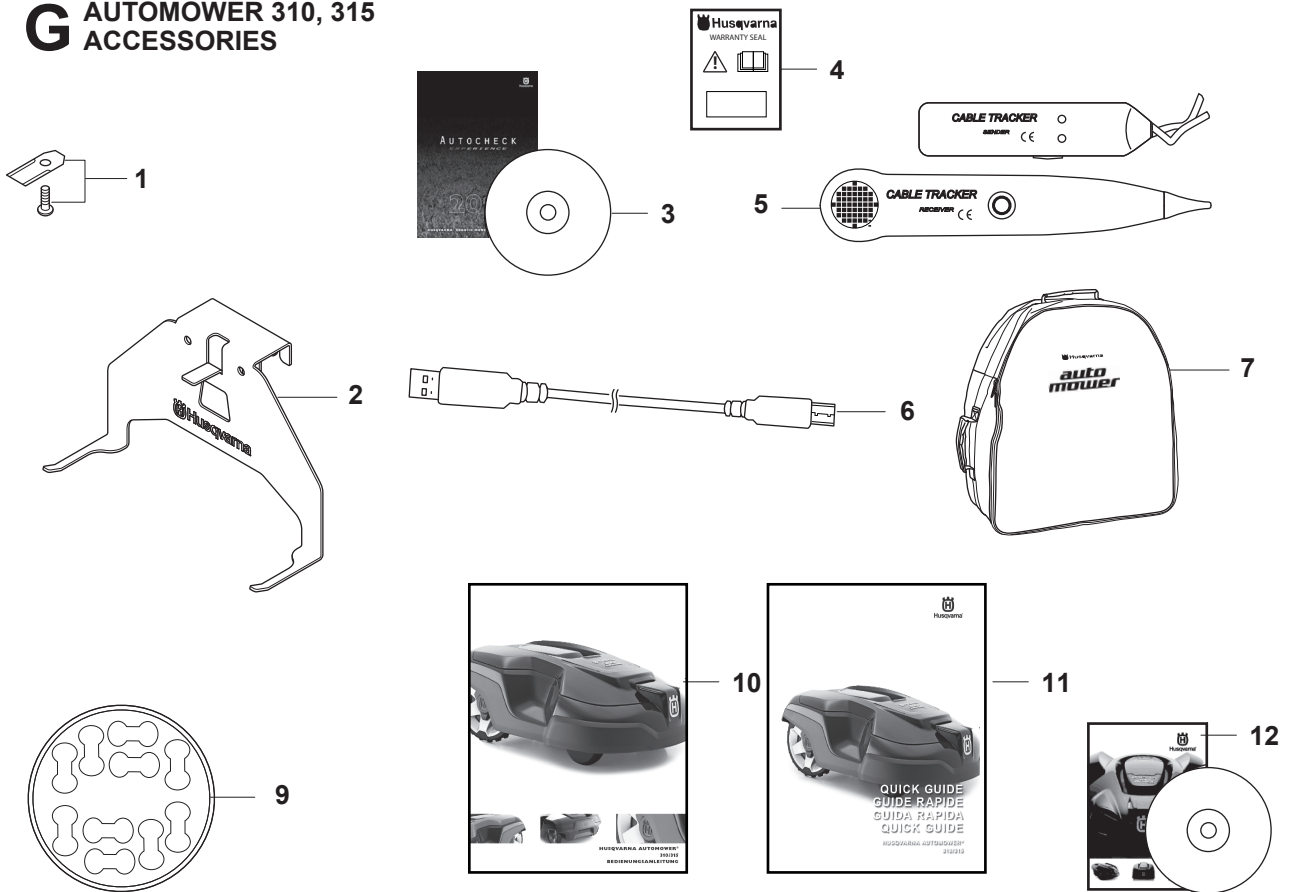
Position	Article	Quantity	Notes	Kit
1	585 16 40-01	1	Charging station	
2	585 07 11-02	1	Cap	
3	579 46 24-02	1	Button - Release	
4	574 48 70-01	1	Spring	
5	580 51 14-01	2	Spring	
6	579 45 80-03	1	Frame	
7	575 54 33-14	4	Screw	
8	579 46 05-01	2	Distance	
9	580 51 14-01	2	Spring	
10	585 53 95-01	1	Loom Chargin Contact	
11	734 11 37-41	2	Washer	
12	575 54 33-14	2	Screw	
13	575 54 33-14	2	Screw	
14	535 12 87-02	1	Lens	
15	585 07 14-01	1	Lid	
16	580 50 41-01	3	Terminal	
17	579 45 98-01	1	Panel	
18	579 45 99-01	1	Holder	
19	588 41 61-01	1	Housing	
20	587 65 15-01	1	Loom	
21	575 54 33-14	4	screw	
22	585 91 93-01	1	Cover	
23	587 65 11-01	1	Charging plate	

**F** AUTOMOWER 310, 315  
ACCESSORIES



Position	Article	Quantity	Notes	Kit
1	584 86 25-01	1	Power supply EU	
2	584 86 26-03	1	Power Supply CH	
3	583 97 34-01	1	Staples	
4	575 23 86-03	1	Screw KIT	
5	580 43 38-01	1	Low voltage cable 20m	
6	580 43 38-03	1	Low voltage cable 3m	
7	580 66 20-02	1	Wire (150m)	
7	580 66 20-02	1	Wire, blister pack, (150m)	
8	580 66 20-01	1	Wire (250m)	
9	522 91 41-01	1	Wire (500m)	
10	535 12 90-01	1	Loop wire connector	
10	577 86 48-01	1	Loop Wire Connector, Blister Pack, 5pcs	
11	501 98 02-01	1	COUPLER	
11	577 86 47-01	2	COUPLER, Blister pack, 5pcs	
11	501 98 02-03	1	COUPLER, 100pcs	
12	544 17 75-01	1	Measuring tape	
13	579 57 12-01	1	Label	
14	587 23 58-01	1	Top Cover Grey	
14	587 23 58-02	1	Top Cover White	
14	587 23 58-03	1	Top Cover Orange	

# G AUTOMOWER 310, 315 ACCESSORIES



Position	Article	Quantity	Notes	Kit
1	577 86 46-02	1	Long life - Safety blade, 9pcs Blister pack	
1	577 60 65-04	1	Long life - Safety blade, 45pcs	
1	577 60 66-03	1	Long life - Safety blade, 300pcs	
2	587 22 40-01	1	Wallhanger 310/315	
3	577 85 81-03	1	DVD Autocheck EXP 2014	
4	580 68 95-02	1	Warranty Seal 1pcs	
4	584 90 22-01	1	Warranty Seal 10pcs	
5	577 60 68-01	1	Interruption detector	
6	577 51 81-02	1	Service cable (USB)	
7	522 91 67-01	1	BAG	
9	586 27 79-01	1	STICKER, Cable markers, 10 pcs	
10	115 70 64-01	1	OPERATOR'S MANUAL, Swedish	
10	115 70 64-31	1	OPERATOR'S MANUAL, French	
10	115 70 64-41	1	OPERATOR'S MANUAL, Italian	
10	115 70 64-51	1	OPERATOR'S MANUAL, German	
11	115 72 99-39	1	QUICK GUIDE, Swedish, German, French, Italian	
12	587 65 73-01	1	DVD OPERATOR'S MANUAL	
13	587 23 57-01	1	Wheel Brush Kit (Holder x2, Brush x6)	
14	587 23 53-01	1	Terrain kit (Brush kit + Rear wheels)	
15	505 13 28-01	1	BRUSH, 6pcs	
16	577 46 90-01	1	Decal	
17	585 32 35-01	1	Lid	
18	586 99 38-01	1	Cover Base	
19	585 32 36-01	1	Hatch	
20	585 32 40-02	1	Handle Left	
21	585 32 41-01	1	Rod	
22	575 23 86-01	1	SCREW KIT, 6 PCS	
23	580 51 14-01	2	Spring	
24	585 34 16-01	1	Beam	
25	575 54 33-14	9	Screw	
26	585 34 15-01	2	Hinge pin	
27	585 32 40-01	1	Handle right	
28	585 32 38-02	1	Support left	
29	503 22 66-01	4	Square nut	
30	585 32 38-01	1	Support Right	
31	535 12 93-03	4	Screw	
32	587 23 61-01	1	House KIT	