

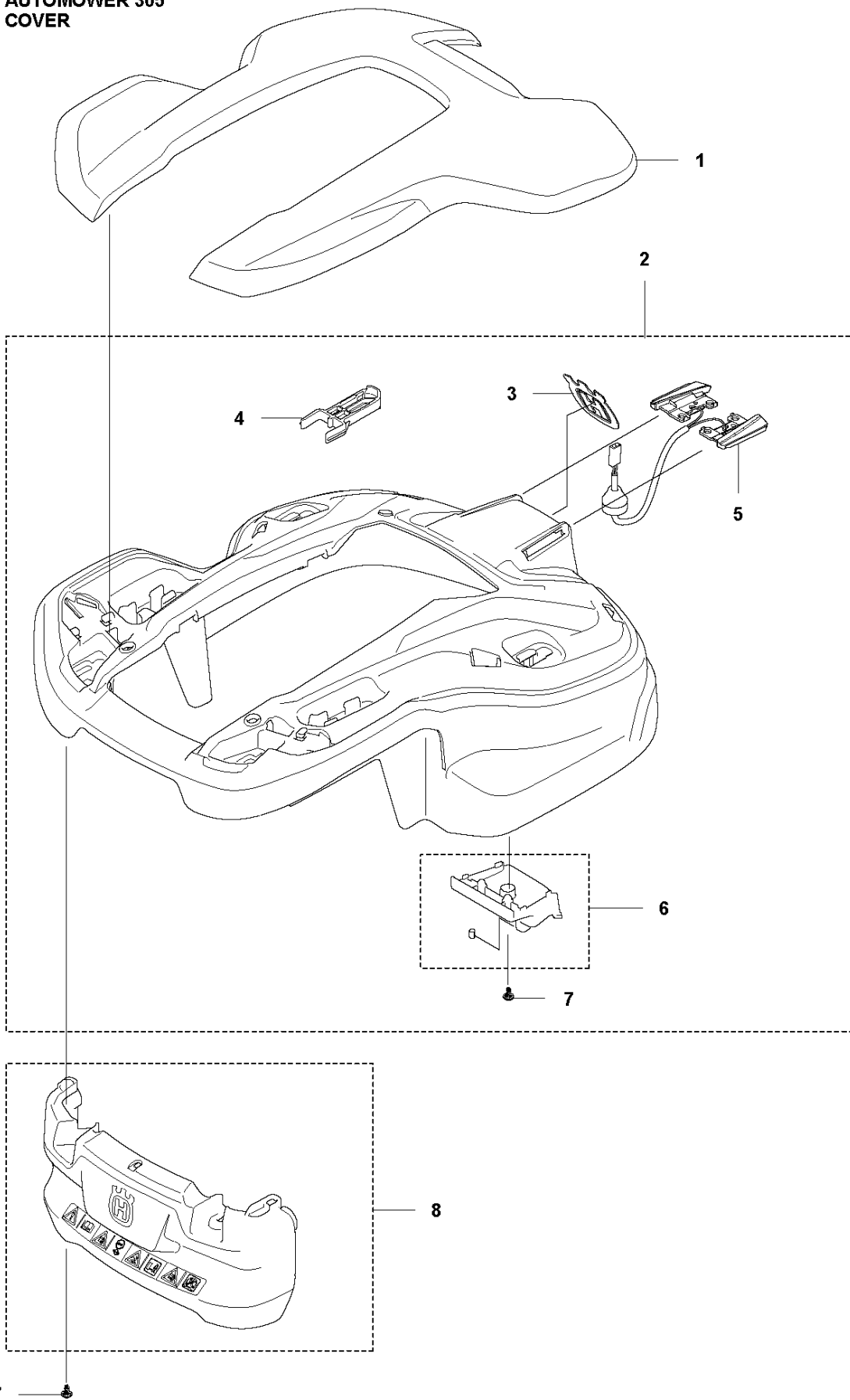


SPARE PARTS LIST

ROBOTIC LAWN MOWERS

AUTOMOWER 305, 2020-

A AUTOMOWER 305
COVER

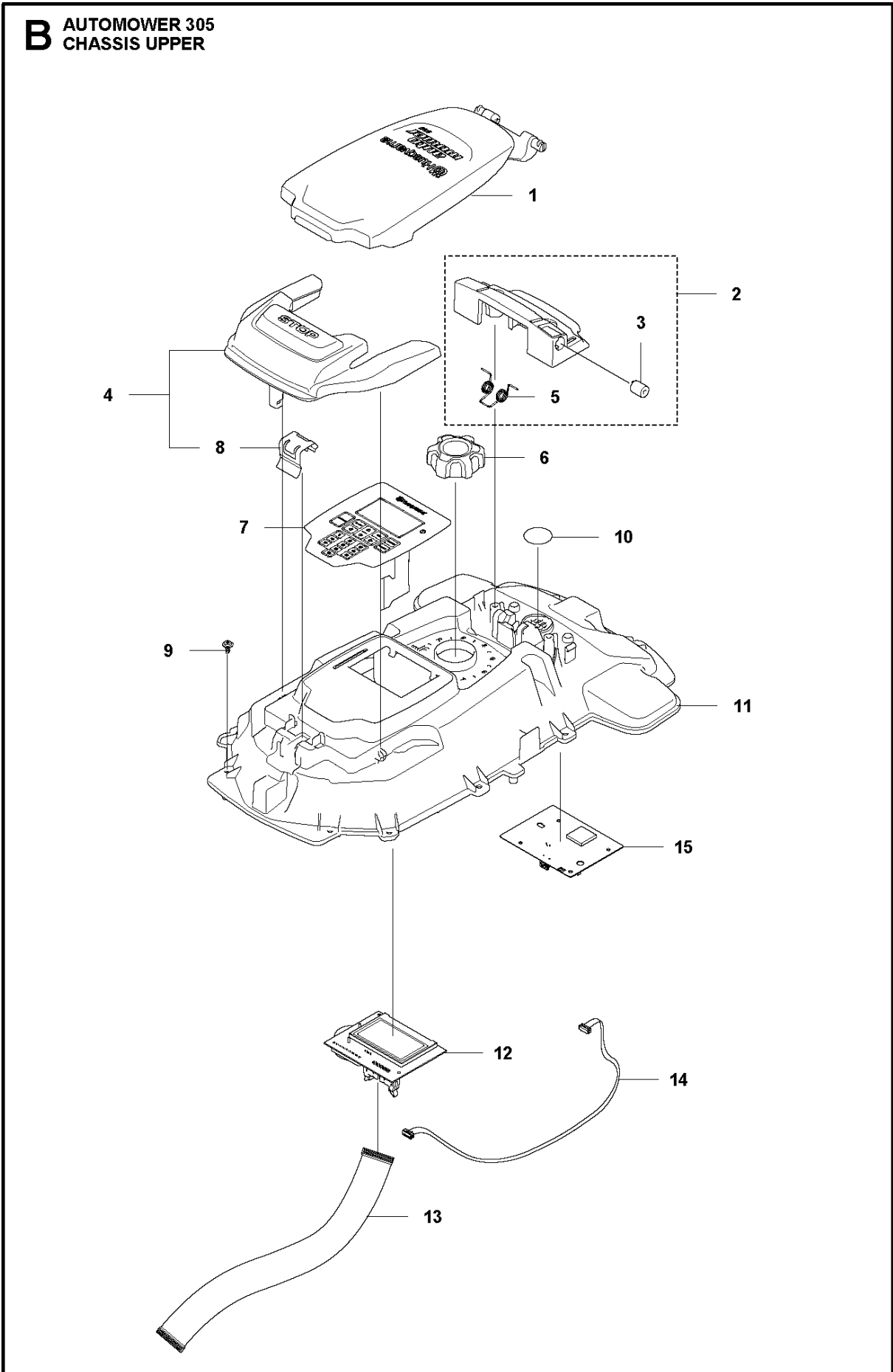


COVER

AUTOMOWER 305, 2020-

Ref	Part No	Description	Remark	QTY KIT
1	597 70 31-01	BODY KIT	White	1
1	597 70 31-02	BODY KIT	Orange	1
2	597 75 76-01	BODY ASSY		1
3	587 42 35-01	DECAL	Husqvarna Crown Height 55 mm	1
4	598 76 42-01	FORK		1
5	591 20 30-02	WIRING ASSY		1
6	597 75 78-01	CHARGING PLATE	Holder kit	1
7	574 45 01-01	SCREW ITPANT		3
8	596 56 85-01	BUMPER	Rear	1

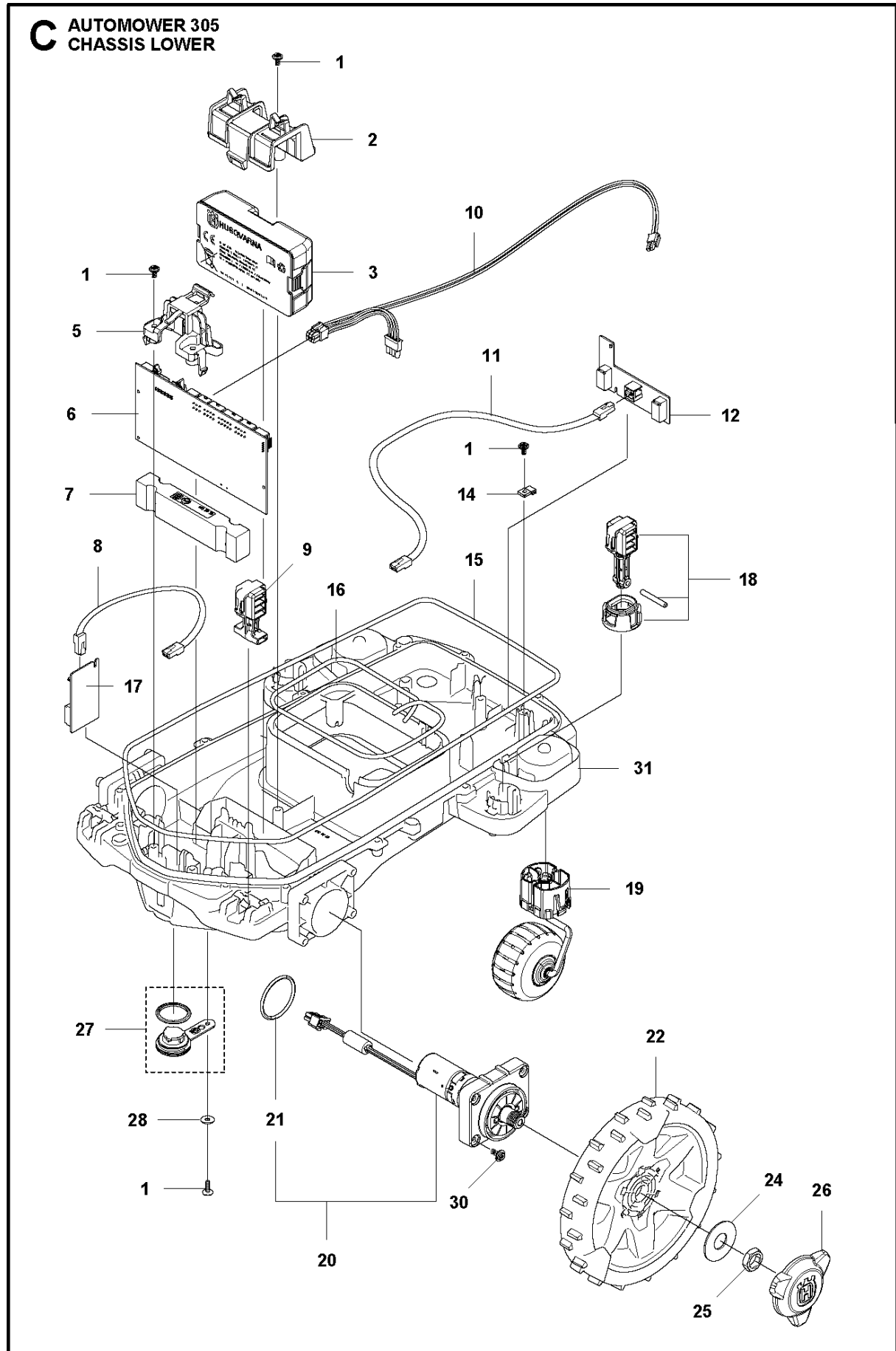
B AUTOMOWER 305
CHASSIS UPPER



CHASSIS UPPER

AUTOMOWER 305, 2020-

Ref	Part No	Description	Remark	QTY KIT
1	597 23 24-01	HATCH	HMI Cover	1
2	597 75 81-01	SUPPORT	Front Assy	1
3	580 35 23-02	DAMPER		1
4	597 76 97-01	STOP	Stop Button Assy	1
5	585 25 54-01	TORSION SPRING		2
6	585 28 14-01	KNOB		1
7	597 27 43-01	KEYBOARD	AM 305	1
8	597 34 95-01	SPRING	Stop Button	1
9	574 45 01-01	SCREW ITXPANT		16
10	577 75 37-01	AIR FILTER		1
11	596 52 94-01	CHASSIS	Upper	1
12	597 23 38-01	PRINTED CIRCUIT ASSY		1
13	590 11 06-01	CABLE ASSY	HMI Cable	1
14	593 14 89-01	WIRING ASSY	L=460mm	1
15	586 66 23-07	GPS MODULE	AM Connect, Kit ROW	1
15	586 66 23-11	GPS MODULE	AM Connect, Kit US/CAN	1
15	586 66 23-08	GPS MODULE	AM Connect, Kit AUS/NZ	1

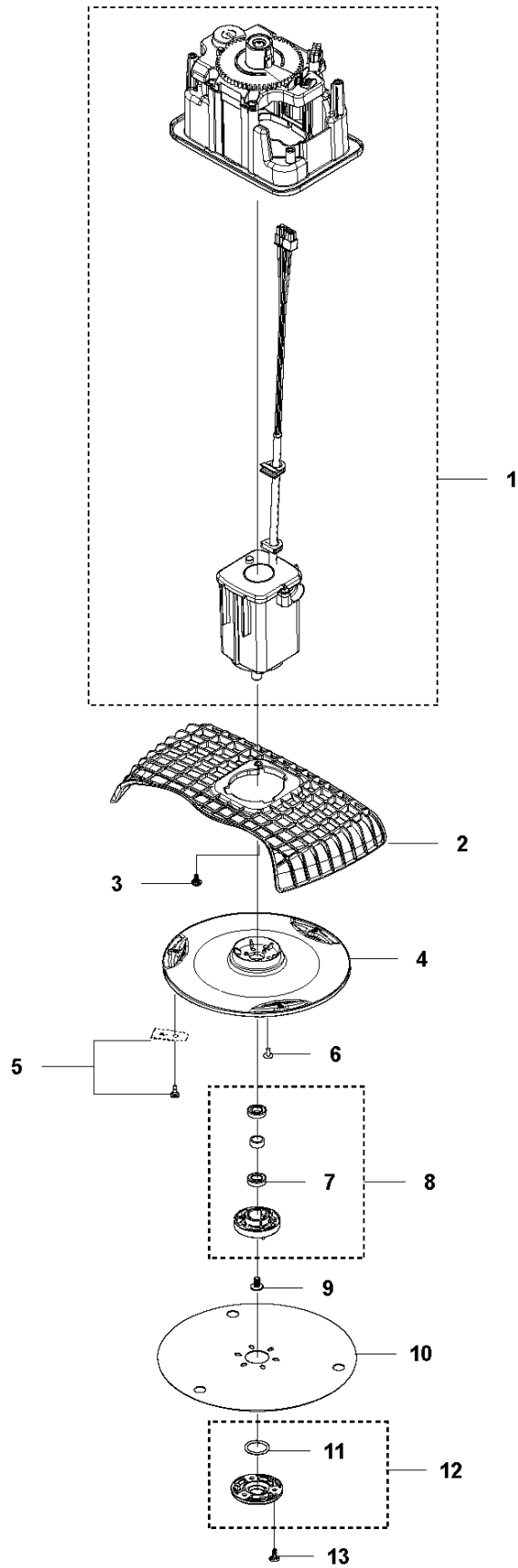


CHASSIS LOWER

AUTOMOWER 305, 2020-

Ref	Part No	Description	Remark	QTY KIT
1	574 45 01-01	SCREW ITXPANT		
2	596 56 81-01	HOLDER	Battery	1
3	593 24 72-01	BATTERY		1
5	596 56 88-01	CLAMP		1
6	592 90 99-01	PRINTED CIRCUIT ASSY	Main Board	1
7	598 50 36-02	WEIGHT		1
8	589 35 10-02	WIRING ASSY	Modular Jack L=210mm	1
9	596 53 01-01	STRUT	Tilt	2
10	597 57 64-01	WIRING ASSY		1
11	589 35 08-04	WIRING ASSY	Modular Jack L=570mm	1
12	597 18 92-01	PRINTED CIRCUIT ASSY	Loop Sensor, Charge Side	1
14	579 52 94-01	CLAMP	PCB	1
15	574 87 47-15	SEALING STRIP	Chassis	1
16	574 87 47-11	SEALING STRIP	Cutting System	1
17	597 18 16-01	PRINTED CIRCUIT ASSY	Loop Sensor, Drive Side	1
18	590 77 07-01	COLUMN ASSY		4
19	589 30 08-02	WHEEL ASSY	Front	2
20	598 58 73-01	MOTOR KIT		2
21	580 44 39-02	O-RING		2
22	590 21 73-01	WHEEL ASSY	Rear Wheel	2
24	586 21 06-01	WASHER	Rear Wheel	2
25	731 43 24-01	HEXAGON THIN NUT	Hexagon	2
26	579 50 55-02	HUB CAP		2
27	581 62 12-02	PLUG KIT		1
28	734 11 37-41	WASHER		1
30	574 45 01-01	SCREW ITXPANT		1
31	596 56 80-01	CHASSIS		1

D AUTOMOWER 305
BLADE MOTOR & CUTTING EQUIPMENT

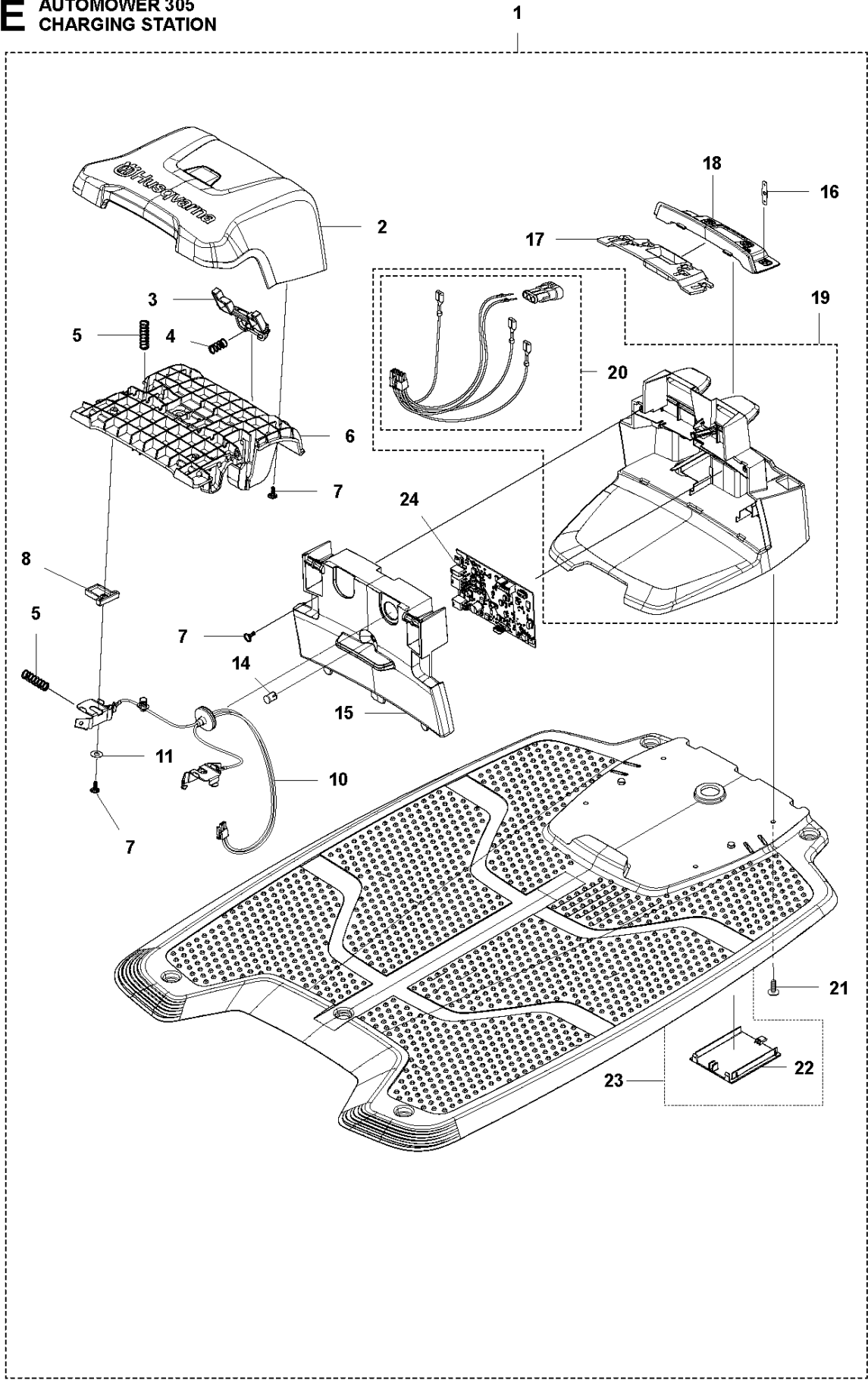


BLADE MOTOR & CUTTING EQUIPMENT

AUTOMOWER 305, 2020-

Ref	Part No	Description	Remark	QTY KIT
1	582 59 06-02	CUTTING SYSTEM		1
2	596 56 89-01	GUARD		1
3	574 45 01-01	SCREW ITPANT		1
4	597 42 22-01	CUTTING DISC		1
5	595 08 44-01	BLADE SET	Endurance 6 pcs, Blister	1
6	590 50 87-01	SCREW		3
7	535 07 57-03	BALL BEARING		2
7	593 08 08-01	BALL BEARING		2
8	588 42 17-02	BEARING HOUSING ASSY		1
9	535 07 60-01	SCREW		1
10	597 44 99-01	SKID PLATE		1
11	585 29 75-01	O-RING		1
12	587 44 96-01	COVER KIT		1
13	575 54 33-14	SCREW		3

E AUTOMOWER 305
CHARGING STATION

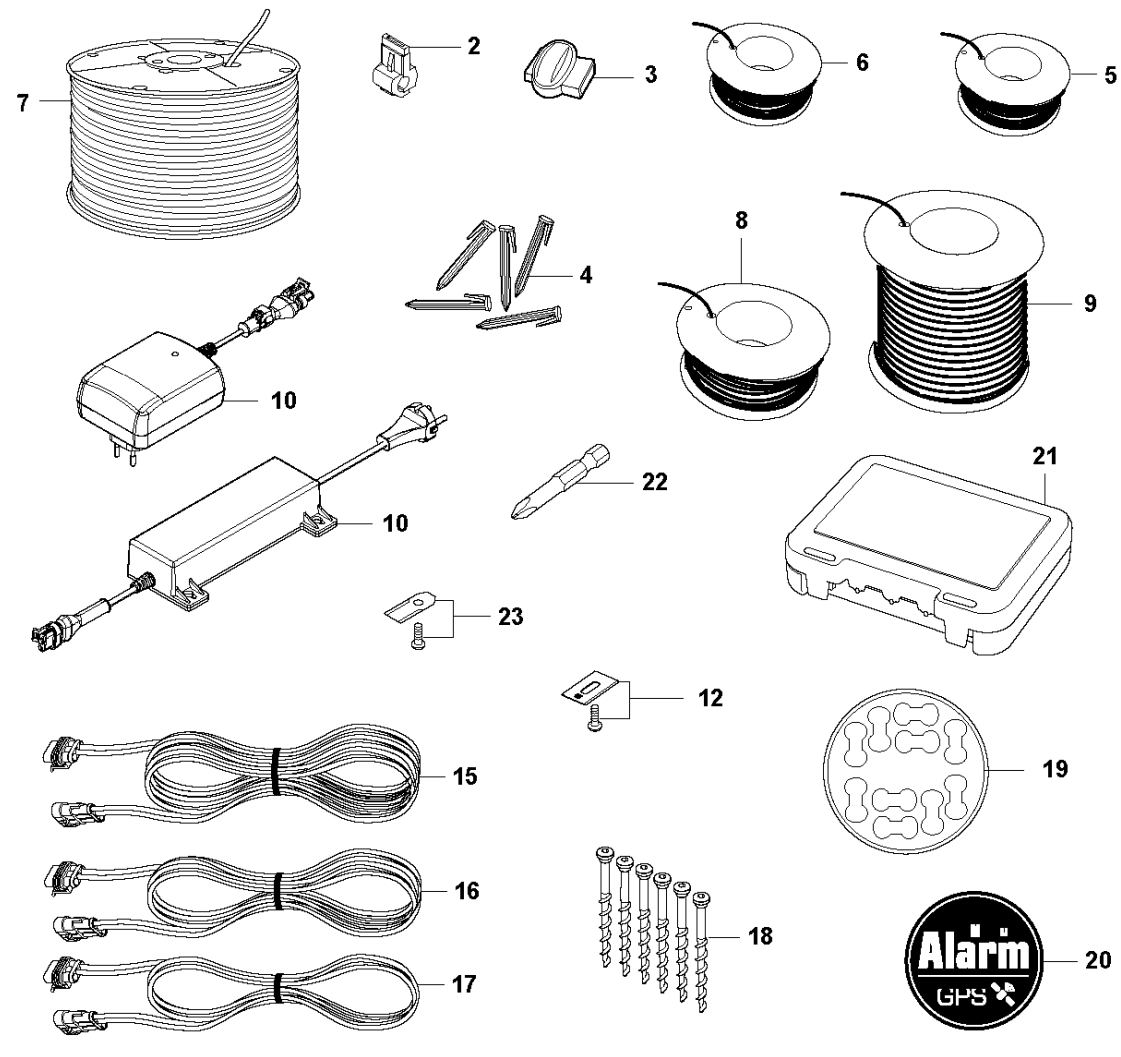
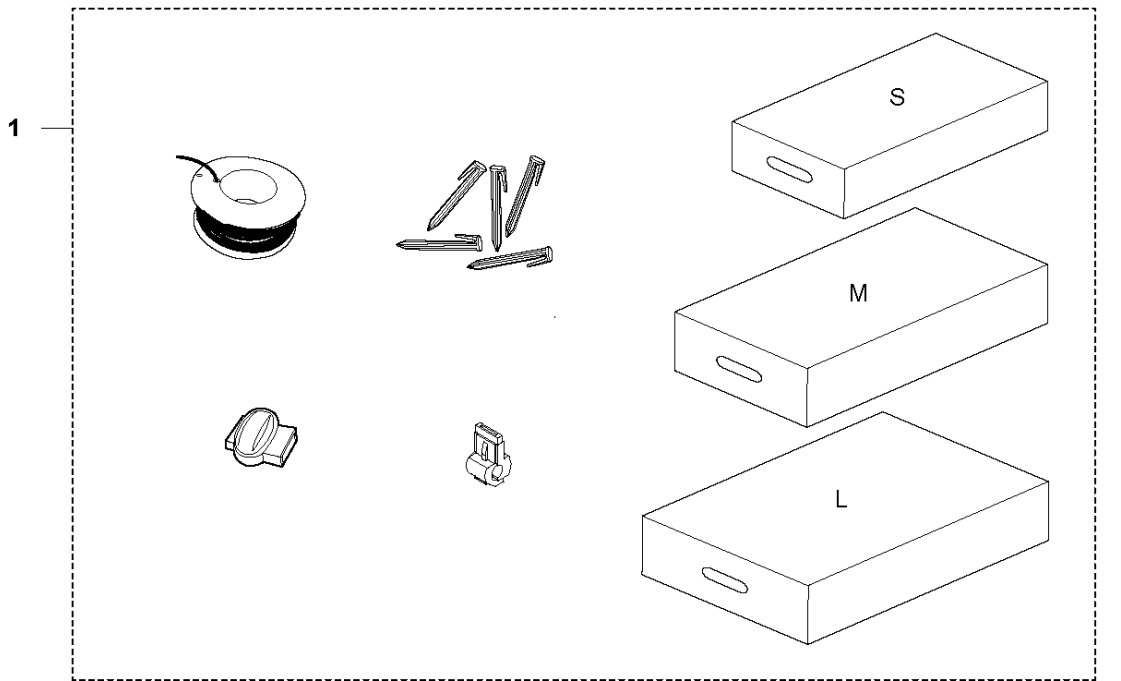


CHARGING STATION

AUTOMOWER 305, 2020-

Ref	Part No	Description	Remark	QTY KIT
1	585 16 40-03	CHARGING STATION		1
2	585 07 11-02	CAP		1
3	579 46 24-02	BUTTON		1
4	574 48 70-01	SPRING		1
5	580 51 14-01	SPRING		2
6	579 45 80-04	FRAME		1
7	575 54 33-14	SCREW		12
8	579 46 05-01	SPACER		2
10	585 53 95-02	CABLE ASSY	Loom Charging Contact	1
11	734 11 37-41	WASHER		2
14	590 21 72-01	LENS		1
15	585 07 14-01	LID		1
16	580 50 41-01	TERMINAL		3
17	579 45 98-01	PAN		1
18	579 45 99-01	HOLDER		1
19	588 41 61-01	HOUSING ASSY		1
20	587 65 15-01	LOOM KIT		1
22	585 91 93-01	COVER		1
23	587 65 16-02	CHARGING PLATE		1
24	592 90 93-02	PRINTED CIRCUIT ASSY		1

F AUTOMOWER 305
INSTALLATION ACCESSORIES

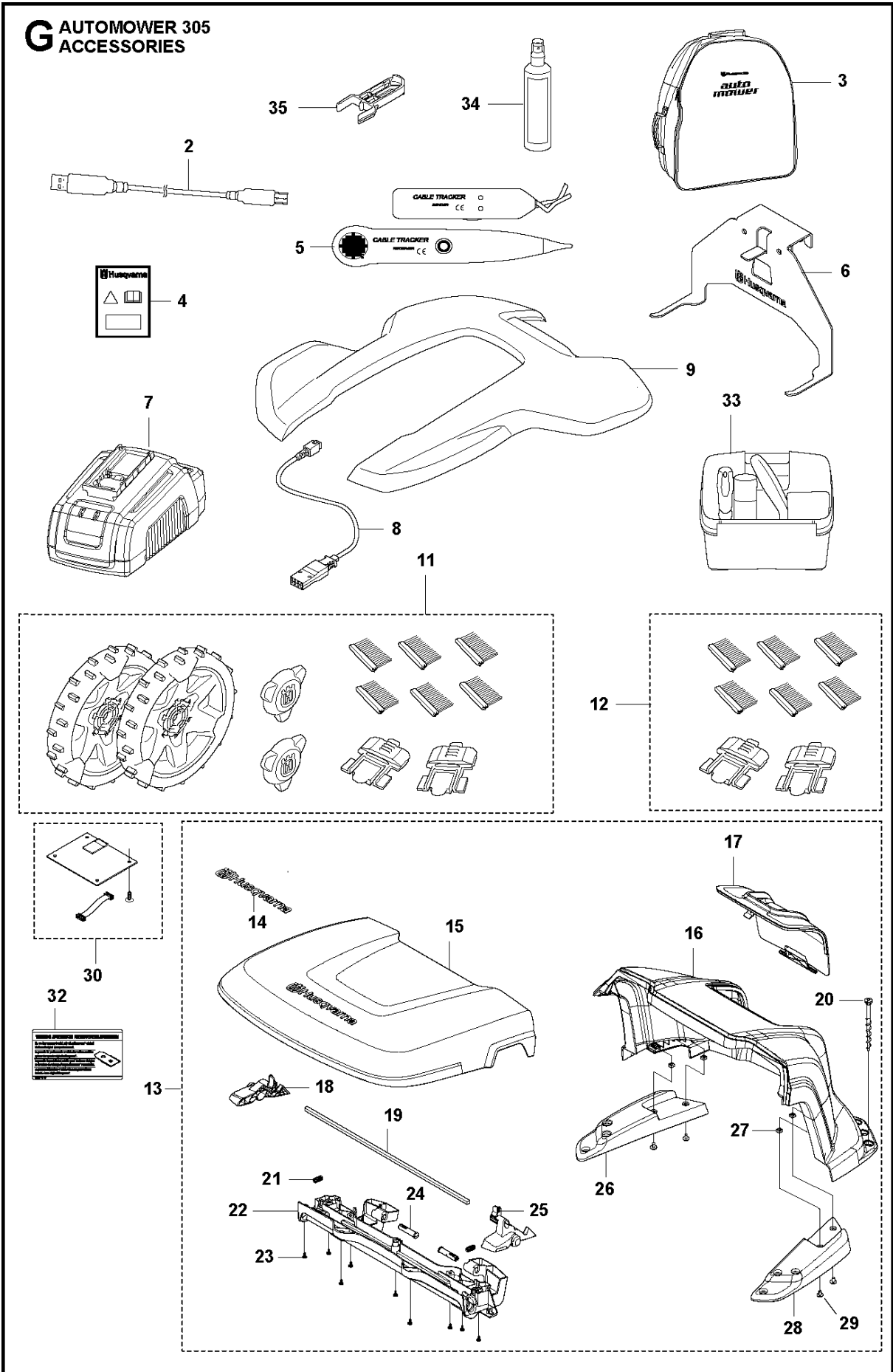


INSTALLATION ACCESSORIES

AUTOMOWER 305, 2020-

Ref	Part No	Description	Remark	QTY KIT
1	967 62 36-01	INSTALLATION KIT	S Wire 150 m, Staples 300 pc, Connectors 3 pcs, Couplers 5 pcs	1
1	967 62 36-02	INSTALLATION KIT	M Wire 250 m, Staples 400 pc, Connectors 3 pcs, Couplers 5 pcs	1
1	967 62 36-03	INSTALLATION KIT	S Wire 400 m, Staples 600 pc, Connectors 5 pcs, Couplers 5 pcs	1
2	535 12 90-01	CONNECTOR	Loop Wire Connector	1
2	577 86 48-01	CONNECTOR	Loop Wire Connector, Blister Pack 5 pcs	1
2	535 12 90-02	CONNECTOR	Loop Wire Connector, Blister Pack 100 pcs	1
3	501 98 02-01	COUPLER	Coupler	1
3	577 86 47-01	COUPLER	Coupler, Blister Pack 5 pcs	1
3	501 98 02-03	COUPLER	Coupler, 100 pcs	1
4	577 86 42-01	STAPLE	Staple Blister Pack 100 pcs	1
4	583 97 34-01	STAPLE	100 pcs	1
5	577 86 43-02	WIRE	Wire, Blister Pack 50 m	1
5	580 66 20-02	WIRE	Wire, 150 m	1
5	577 86 43-01	WIRE	Wire, Blister Pack 150 m	1
6	580 66 20-01	WIRE	Wire 250 m	1
7	593 29 77-02	WIRE	Wire 300 m Pro 5,5 mm	1
8	522 91 41-01	WIRE	Wire 500 m 3,4 mm	1
9	580 66 20-04	WIRE	Wire 800 m	1
10	593 16 36-01	POWER UNIT	Power Unit EU, Plug in	1
10	584 86 26-01	POWER UNIT	Power Unit EU, Desktop	1
10	590 44 22-02	POWER UNIT	Power Unit GB	1
10	590 44 22-03	POWER UNIT	Power Unit CH	1
10	590 44 22-04	POWER UNIT	Power Unit US	1
10	590 44 22-05	POWER UNIT	Power Unit AUS/NZ	1
10	590 44 22-06	POWER UNIT	Power Unit JP	1
10	590 44 22-07	POWER UNIT	Power Unit ROK	1
10	590 44 22-08	POWER UNIT	Power Unit BR	1
10	590 44 22-09	POWER UNIT	Power Unit ARG	1
12	595 08 44-01	BLADE SET	Endurance Blade, 6 pcs	1
12	595 08 44-02	BLADE SET	Endurance Blade, 45 pcs	1
12	595 08 44-03	BLADE SET	Endurance Blade, 300 pcs	1
15	579 82 51-01	CABLE ASSY	Low Voltage Cable, 20 m	1
16	579 82 51-02	CABLE ASSY	Low Voltage Cable, 10 m	1
17	579 82 51-03	CABLE ASSY	Low Voltage Cable, 3 m	1
17	579 82 51-04	CABLE ASSY	Low Voltage Cable, 5 m	1
18	597 43 58-01	ANCHOR	6 pcs+Key	1
19	586 27 79-01	STICKER	Cable Markers, 10 pcs	1
20	594 05 48-01	LABEL	Label Alarm	1
21	590 85 50-01	BOX	Cable Connector Protection	1
22	596 33 98-01	TOOL	Bit for Robotic Blades	1
23	577 86 46-03	BLADE SET	Long Life Safety Blade, Blister Pack 9 pcs	1
23	577 60 65-05	BLADE SET	Long Life Safety Blade, 45 pcs	1
23	577 60 66-04	BLADE SET	Long Life Safety Blade, 300 pcs	1

G AUTOMOWER 305
ACCESSORIES



ACCESSORIES

AUTOMOWER 305, 2020-

Ref	Part No	Description	Remark	QTY KIT
2	577 51 81-02	CABLE	Service Cable (USB)	1
3	522 91 67-01	BAG	Bag	1
4	580 68 95-02	LABEL	Warranty Seal 1pcs	1
5	577 60 68-01	TEST EQUIPMENT	Interruption Detector	1
6	597 70 36-01	WALL HANGER	Wallhanger AM305	1
7	588 40 84-01	CHARGER	Quick Charger with Battery Test	1
8	588 20 26-01	CABLE ASSY	Cable Quick Charger	1
9	597 70 31-01	BODY KIT	White	1
12	597 70 46-01	BRUSH KIT	Wheel Brush KIT (Holder x2, Brush x6)	1
11	597 70 54-01	WHEEL KIT	Terrain KIT (Brush KIT + Rear wheels)	1
12	505 13 28-03	BRUSH	Brush, 6 pcs	1
13	587 23 61-01	HOUSING	House KIT	1
14	577 46 90-01	DECAL	Decal	1
15	585 32 35-01	COVER	Lid	1
16	586 99 38-01	COVER	Cover Base	1
17	585 32 36-01	HATCH	Hatch	1
18	585 32 40-02	HANDLE	Handle Left	1
19	585 32 41-01	ROD	Steel	1
20	597 43 58-01	ANCHOR	6 pcs+Key	1
21	580 51 14-01	SPRING	Spring	2
22	585 34 16-01	BEAM	Beam	1
23	575 54 33-14	SCREW	Screw	9
24	585 34 15-01	HINGE PIN	Hinge Pin	2
25	585 32 40-01	HANDLE	Handle Right	1
26	585 32 38-02	SUPPORT	Support Left	1
27	503 22 66-01	SQUARE NUT	Square Nut	4
28	585 32 38-01	SUPPORT	Support Right	1
29	535 12 93-03	SCREW IHPANM	Screw	4
30	586 66 23-07	GPS MODULE	AM Connect, Kit ROW	1
30	586 66 23-08	GPS MODULE	AM Connect, Kit AUS/NZ	1
30	586 66 23-11	GPS MODULE	AM Connect, Kit US/CAN	1
32	591 37 41-01	DECAL	Warning Original Blade SE,NO,DK,FIN	1
32	591 37 41-02	DECAL	Warning Original Blade DE,FR,NL,IT	1
32	591 37 41-03	DECAL	Warning Original Blade UK,ES,FR,IT	1
33	590 85 51-01	KIT	Maintenance and Cleaning	1
34	593 96 79-01	SPRAY	Care and Shine 200ml	1
35	598 76 42-01	FORK		1