

# **AUTOMOWER<sup>®</sup> 305**

## **2011**

**Spare parts**

**Ersatzteile**

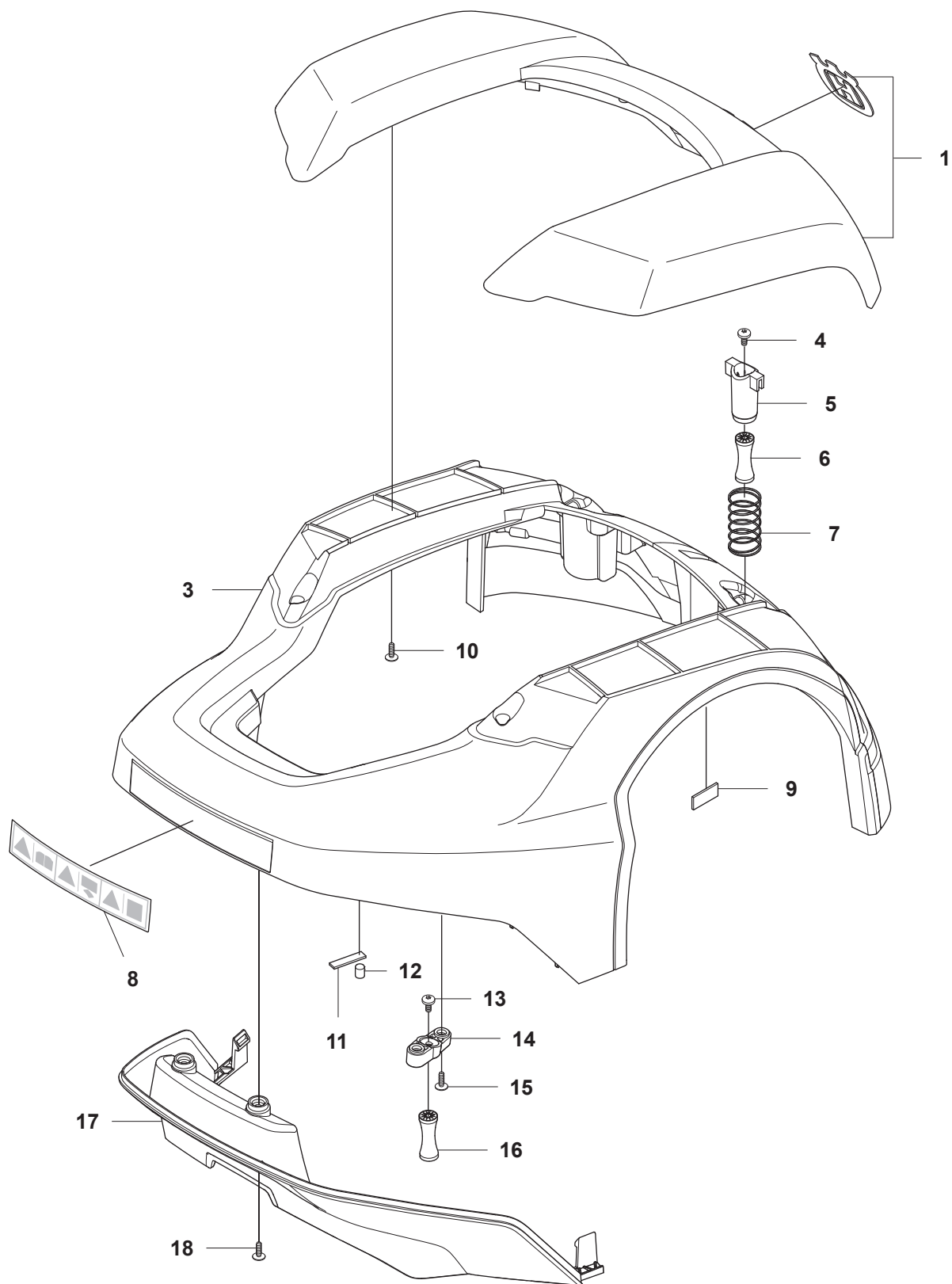
**Pièces détachées**

**Reserve onderdelen**

**Repuestos**

**Reservdelar**

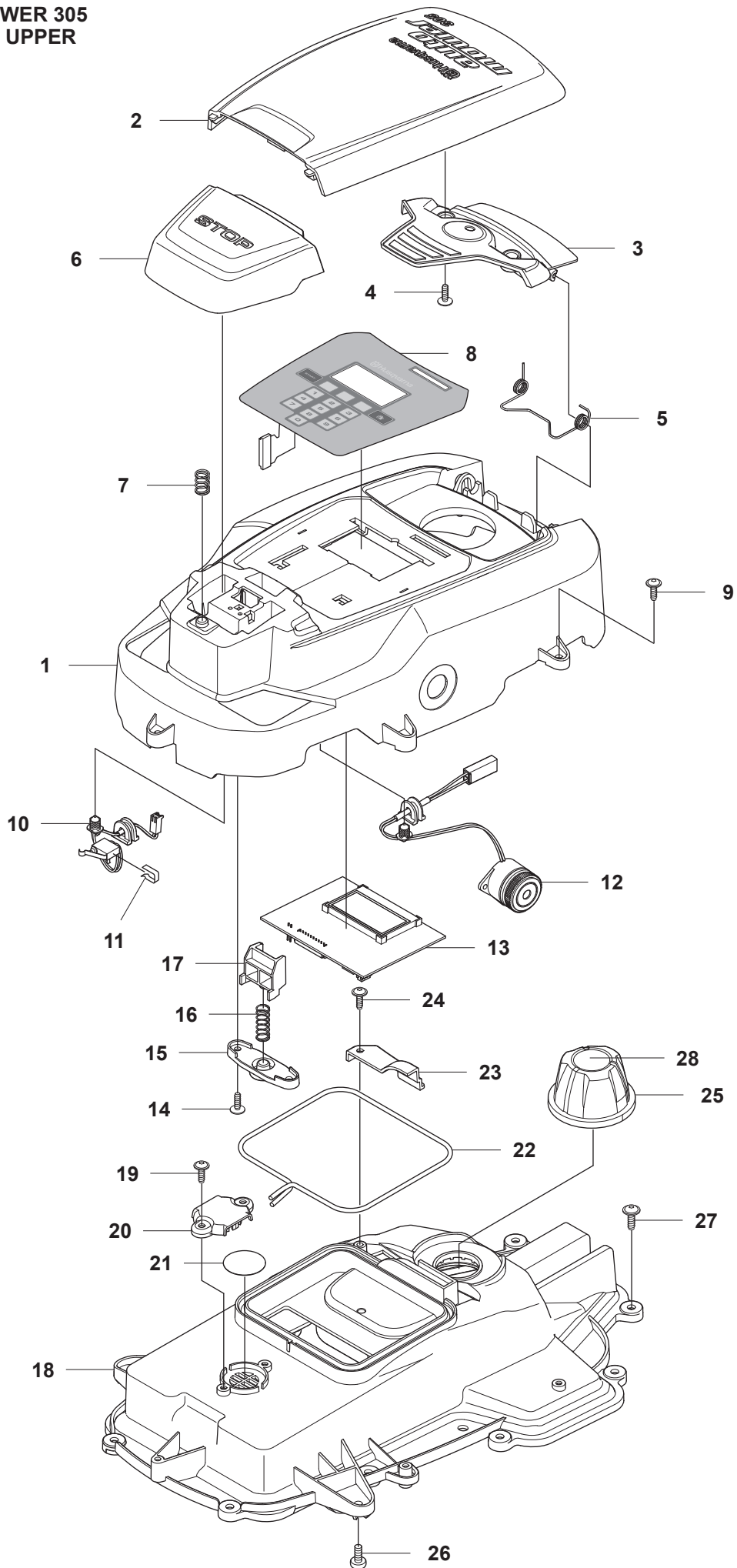
**A** AUTOMOWER 305  
COVER



**PAGE A AUTOMOWER 305 COVER**

<b>Position</b>	<b>Article</b>	<b>Quantity</b>	<b>Notes</b>	<b>Kit</b>
1	577 73 47-01	1	Bumper front, WHITE	
	577 73 47-02	1	Bumper front, GREY	
3	577 74 72-01	1	Main body kit	
4	576 21 39-03	2	Screw	
5	574 46 90-01	2	Bracket, lift sensor	
6	574 46 91-01	2	Rubber damper	
7	574 48 51-01	2	Spring, lift sensor	
8	576 24 00-01	1	Warning label	3
9	576 18 32-01	1	Magnet, lift sensor	3
10	575 54 33-14	4	Screw, grey (14mm)	
11	576 03 01-01	1	Plate, collision sensor	3
12	576 18 33-01	1	Magnet, collision sensor	3
13	576 21 39-03	2	Screw	
14	575 41 60-01	2	Support clamp	
15	575 54 33-14	4	Screw, grey (14mm)	
16	574 46 91-01	2	Rubber damper	
17	574 46 52-01	1	Bumper, rear	
18	575 54 33-10	2	Screw, silver (10mm)	

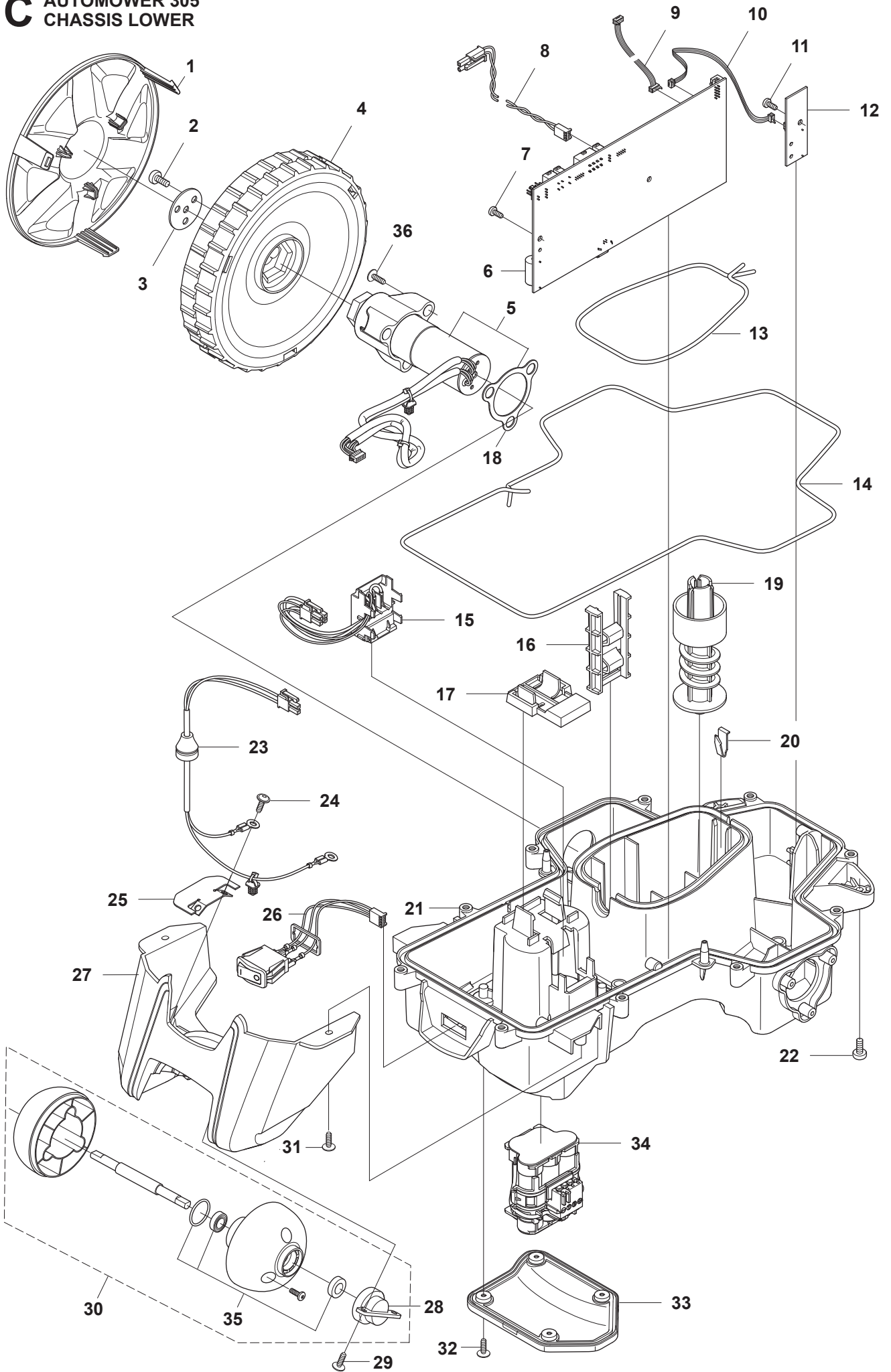
**B** AUTOMOWER 305  
CHASSIS UPPER



**PAGE B AUTOMOWER 305 CHASSIS UPPER**

<b>Position</b>	<b>Article</b>	<b>Quantity</b>	<b>Notes</b>	<b>Kit</b>
1	577 75 28-01	1	Display cover kit incl. sealing & keypad	
2	574 37 81-01	1	Cover, height adjustment, WHITE	
	574 37 81-02	1	Cover, height adjustment, GREY	
3	574 37 79-01	1	Hinge, height adjustment lid	
4	575 54 33-14	2	Screw, grey (14mm)	
5	576 24 21-01	1	Spring, height adjustment lid	
6	574 46 47-01	1	Stop button	
7	574 48 70-01	1	Spring, stop button	
8	575 77 94-01	1	Keyboard	1
9	575 54 33-14	5	Screw, grey (14mm)	
10	574 48 03-01	1	Micro switch, stop button	
11	535 08 98-01	1	Clip, stop button	
12	574 47 59-01	1	Buzzer, display cover	
13	575 64 01-01	1	Display/MMI, circuit board	
14	575 54 33-14	2	Screw, grey (14mm)	
15	575 41 58-01	1	Spring holder, stop button	
16	576 24 22-01	1	Spring lock, stop button	
17	575 40 90-01	1	Lock, stop button	
18	577 75 29-01	1	Chassis upper kit incl. sealing & air filter	
19	575 54 33-14	2	Screw, grey (14mm)	
20	576 69 70-01	1	Cover, air filter	
21	577 75 37-01	1	Air filter kit (10 pcs)	
22	577 75 36-01	1	Sealing strip kit (10 pcs)	
23	576 05 39-01	1	Cover, height indicator	
24	575 54 33-14	1	Screw, grey (14mm)	
25	574 48 48-01	1	Knob, height adjustment	
26	576 21 39-01	2	Screw	
27	574 45 01-01	10	Screw	
28	575 94 86-01	1	Label, height adjustment knob	

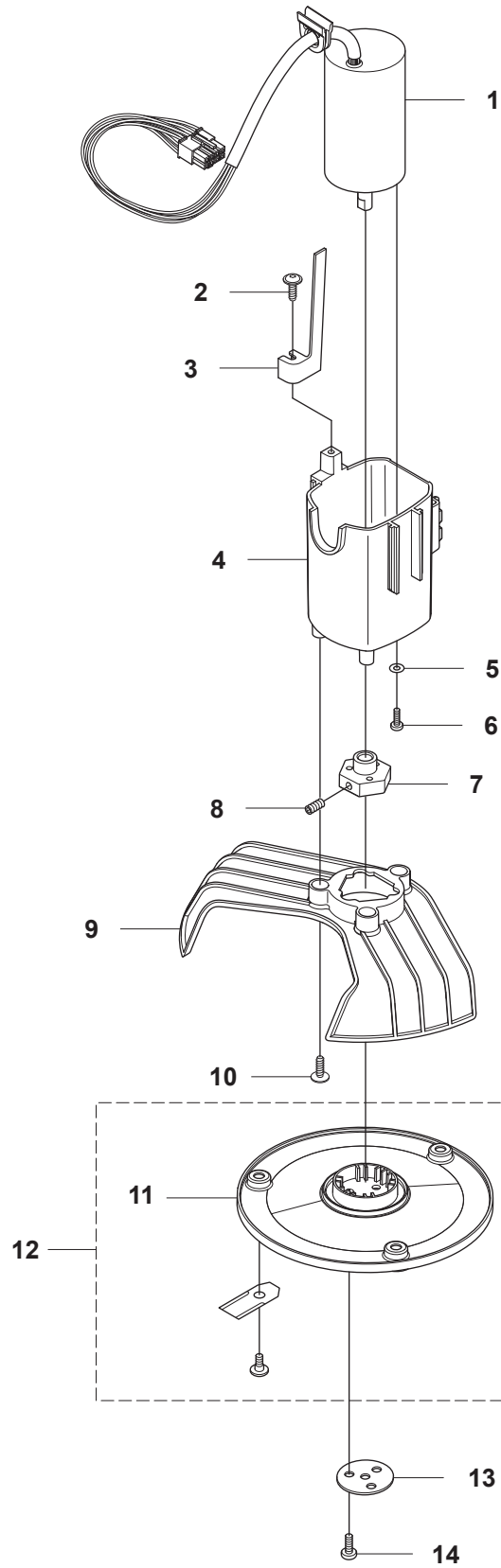
**C** AUTOMOWER 305  
CHASSIS LOWER



**PAGE C AUTOMOWER 305 CHASSIS LOWER**

<b>Position</b>	<b>Article</b>	<b>Quantity</b>	<b>Notes</b>	<b>Kit</b>
1	575 43 08-01	2	Hub cap, drive wheel	
2	576 21 39-02	6	Screw	
3	577 09 32-01	2	Washer, drive wheel	
4	574 46 51-01	2	Wheel, drive wheel	
5	577 83 99-01	2	Wheel motor kit incl. sealing	
6	575 64 05-01	1	Main circuit board (MCB)	
7	535 13 03-10	2	Screw (10mm)	
8	576 22 02-01	1	Loom, buzzer extension	
9	574 47 92-01	1	Loom, display	
10	574 47 90-01	1	Loom, loop and lift sensor	
11	535 13 03-10	1	Screw (10mm)	
12	575 64 09-01	1	PCB sensor board	
13	577 75 36-01	1	Sealing strip kit (10 pcs)	
14	577 84 36-01	1	Sealing strip kit, chassis (10 pcs)	
15	574 47 98-01	1	Loom, Li-Ion battery	
16	574 50 19-01	2	Guide rail, motor bowl	
17	575 40 82-01	1	Lock, battery plug	
18	574 37 37-01	2	Sealing/gasket, motor flange	5
19	574 48 46-01	1	Height adjustment screw	
20	577 10 32-01	1	Locking spring	
21	577 84 62-01	1	Chassis lower kit, incl sealing	
22	576 21 39-01	2	Screw	
23	574 47 77-01	1	Loom, charge plate	
24	575 54 33-14	2	Screw, grey (14mm)	
25	574 49 00-01	2	Charge plate	
26	574 47 94-01	1	Switch, ON/OFF	
27	574 46 72-01	1	Housing, rear wheel	
28	577 71 50-01	2	Bearing housing, rear wheel	30
29	575 54 33-14	4	Screw, grey (14mm)	
30	578 27 51-01	1	Rear wheel kit complete	
31	575 54 33-14	3	Screw, grey (14mm)	
32	574 45 01-01	4	Screw	
33	574 46 73-01	1	Cover, battery	
34	574 47 68-01	1	Battery, Lithium 18V	
35	578 27 52-01	1	Bearing (x2), sealing (x2), O-ring (x1)	30
36	575 54 33-14	6	Screw, grey (14mm)	

**D** AUTOMOWER 305  
BLADE MOTOR & CUTTING EQUIPMENT



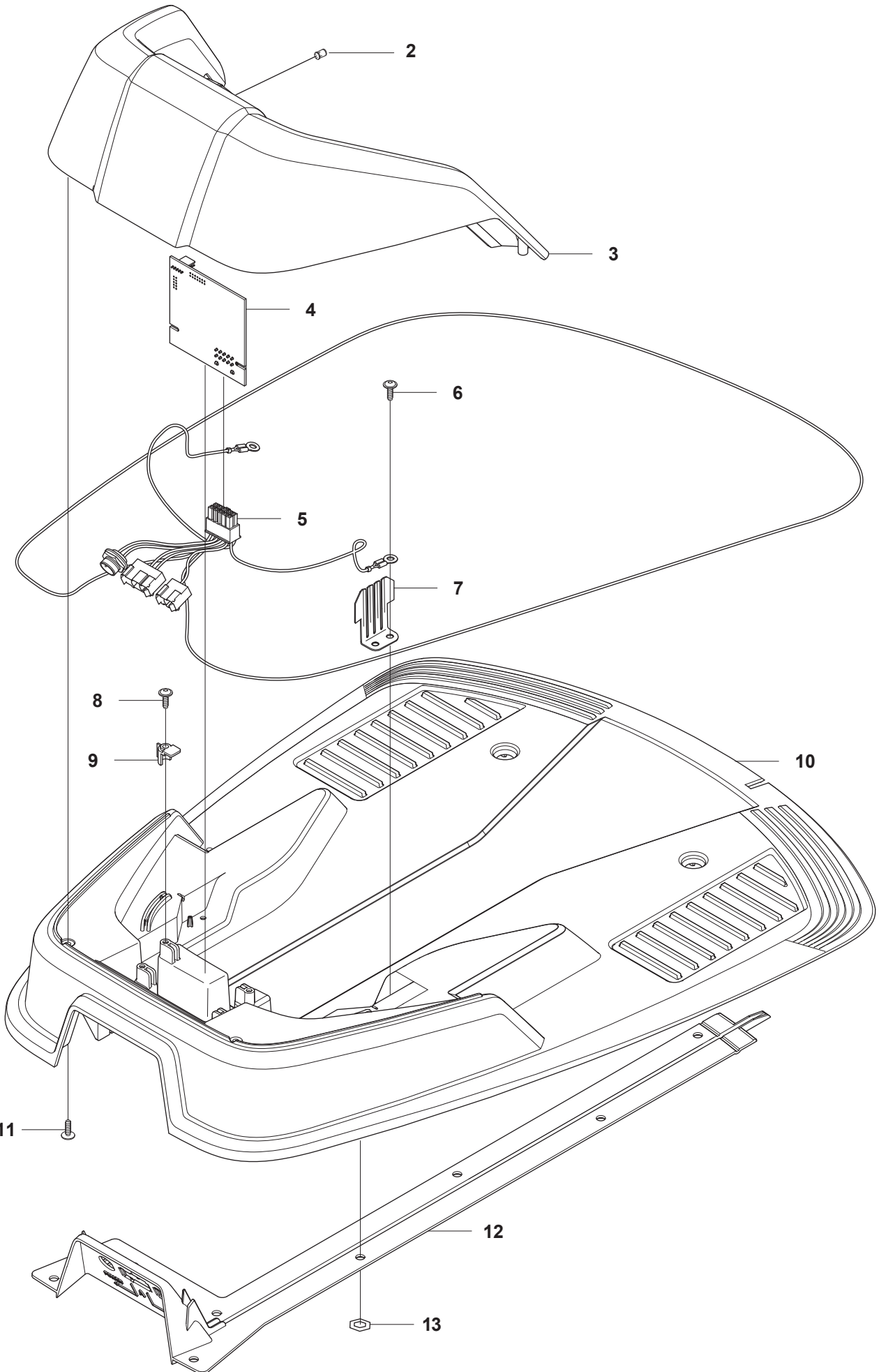


**PAGE D AUTOMOWER 305 BLADE MOTOR & CUTTING EQUIPMENT**

<b>Position</b>	<b>Article</b>	<b>Quantity</b>	<b>Notes</b>	<b>Kit</b>
1	574 46 89-01	1	Cutting motor	
2	575 54 33-14	1	Screw, grey (14mm)	
3	574 50 35-01	1	Height indicator	
4	574 48 45-01	1	Motor housing	
5	510 01 95-01	3	Washer, steel	
6	510 01 87-01	3	Screw	
7	574 37 35-01	1	Hub, cutting motor	
8	576 21 35-01	1	Stop screw	
9	574 48 91-01	1	Guard, cutting disc	
10	575 54 33-14	3	Screw, grey (14mm)	
11	574 48 71-01	1	Cutting disc	12
12	577 84 99-01	1	Blade disc kit incl blades	
13	577 09 32-01	1	Washer	
14	576 21 39-01	3	Screw	

**E** AUTOMOWER 305  
CHARGING STATION

1



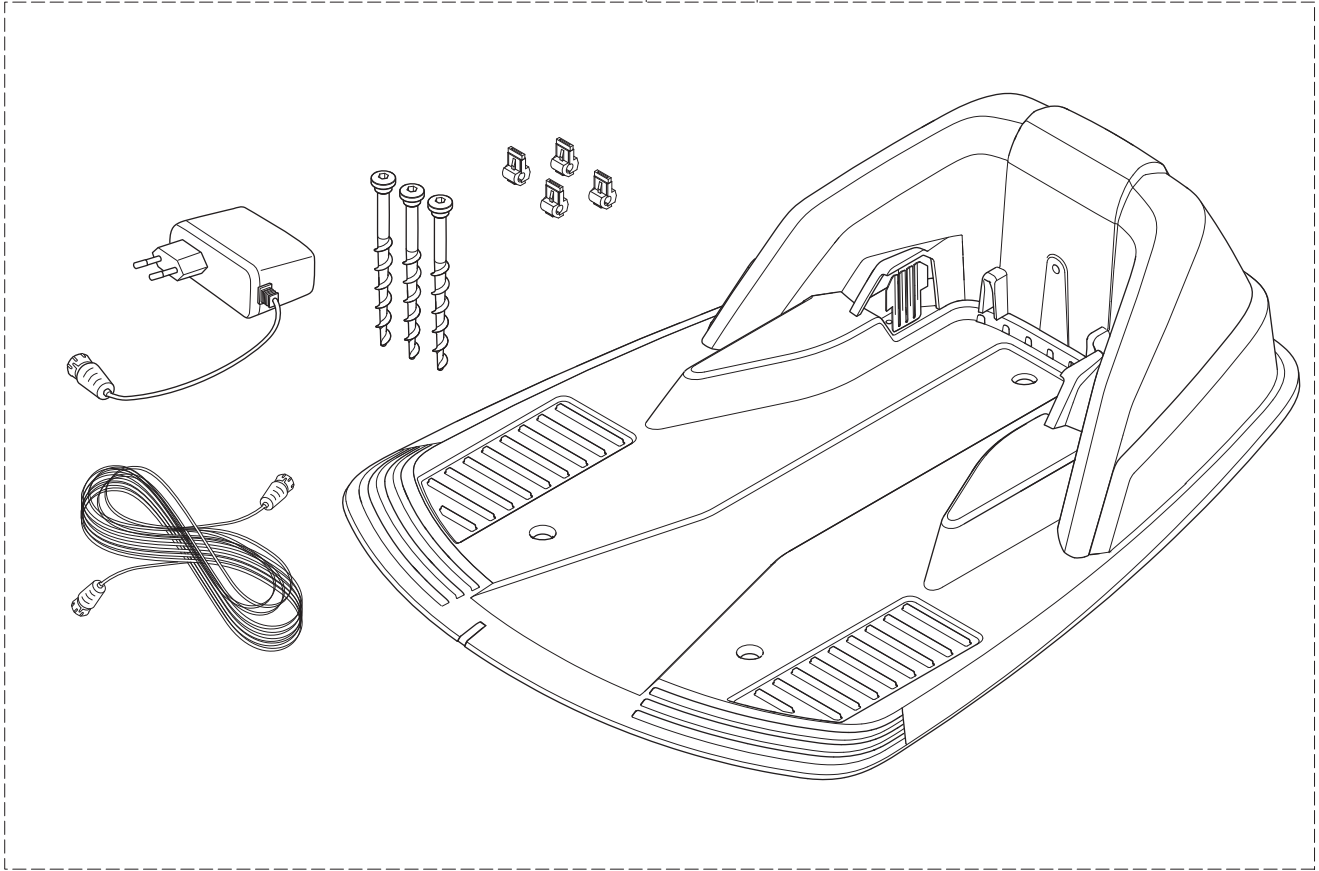
**PAGE E AUTOMOWER 305 CHARGING STATION**

<b>Position</b>	<b>Article</b>	<b>Quantity</b>	<b>Notes</b>	<b>Kit</b>
1	576 63 67-01	1	Charging station compl., WHITE	
	576 63 67-02	1	Charging station compl., GREY	
2	535 12 87-02	1	Diode lens	1
3	575 70 84-01	1	Charging station cover, WHITE	1
	575 70 84-02	1	Charging station cover, GREY	1
4	576 24 26-01	1	Circuit board, charging station	1
5	574 47 65-01	1	Loom, charging station	1
6	575 54 33-14	2	Screw, grey (14mm)	1
7	575 85 00-01	2	Contacts, charging station	1
8	575 54 33-14	2	Screw, grey (14mm)	1
9	535 12 79-01	2	Bracket	1
10	575 70 83-01	1	Charging station base plate	1
11	575 54 33-14	4	Screw, grey (14mm)	1
12	575 70 85-01	1	Guide cover, charging station	1
13	577 51 22-01	19	Nut, self-tapping	1

**F** AUTOMOWER 305  
CHARGING STATION

1

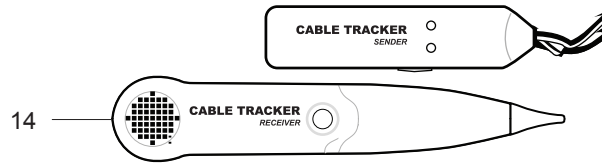
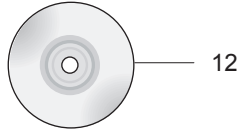
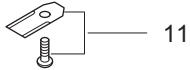
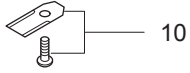
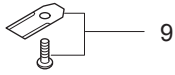
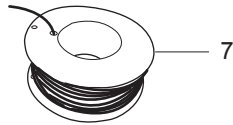
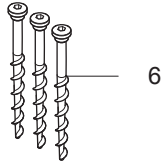
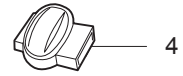
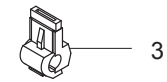
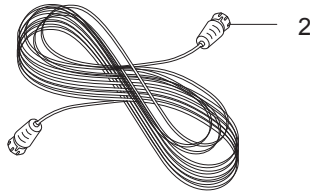
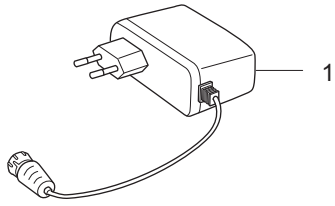
2



**PAGE F AUTOMOWER 305 CHARGING STATION**

<b>Position</b>	<b>Article</b>	<b>Quantity</b>	<b>Notes</b>	<b>Kit</b>
1	577 70 51-01	1	Charging station, WHITE (EU, CH)	
	577 70 51-02	1	Charging station, WHITE (UK)	
2	577 70 53-01	1	Charging station, GREY (EU, CH)	
	577 70 53-02	1	Charging station, GREY (UK)	

**G** AUTOMOWER 305  
ACCESSORIES



**PAGE G AUTOMOWER 305 INSTALLATION ACCESSORIES**

<b>Position</b>	<b>Article</b>	<b>Quantity</b>	<b>Notes</b>	<b>Kit</b>
1	574 47 67-01	1	Transformer (EU, CH)	
	574 47 67-02	1	Transformer (UK)	
2	577 23 35-01	1	Transformer cable (10 m)	
3	535 12 90-01	1	Loop wire connector	
4	501 98 02-01	1	Splice kit (1pcs)	
	501 98 02-02	1	Splice kit (50pcs)	
5	504 04 97-01	1	Staples (100pcs)	
6	575 23 86-02	1	Anchor screw kit (3pcs)	
7	501 98 03-01	1	Loop wire (250m)	
	501 98 03-02	1	Loop wire (150m)	
8	535 13 16-01	1	Label, anti-theft	
9	535 13 87-02	1	Blades (9pcs), carbon	
	577 60 64-02	1	Blades (9pcs), carbon, extra thick	
10	535 13 88-02	1	Blades (30pcs), carbon	
	577 60 65-02	1	Blades (30pcs), carbon, extra thick	
11	505 12 78-02	1	Blades (500pcs), carbon	
	577 60 66-02	1	Blades (300pcs), carbon, extra thick	
12	577 85 81-01	1	Autocheck EXP - service program DVD (2011)	
13	577 51 81-01	1	USB service cable, G3 mowers	
14	577 60 68-01	1	Loop wire interruption detector	