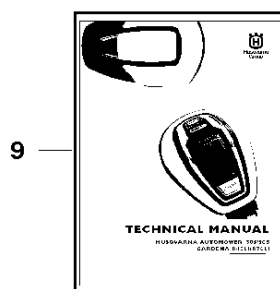
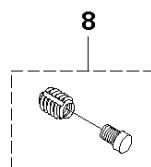
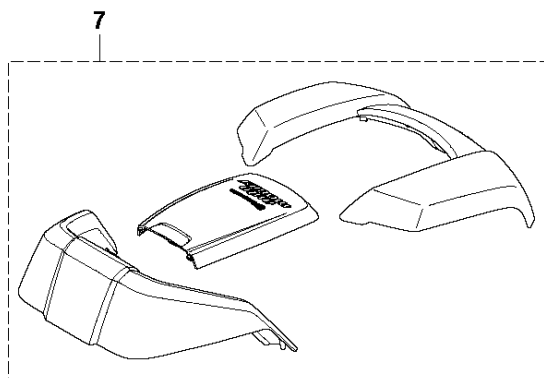
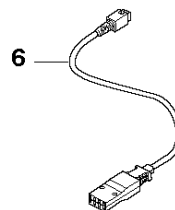
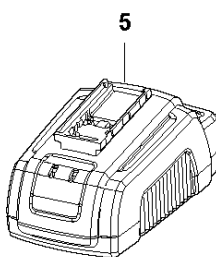
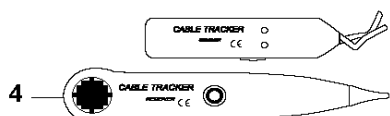
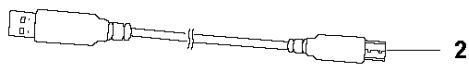




# SPARE PARTS LIST

ROBOTIC LAWN MOWERS  
AUTOMOWER 105, 2017-01

**G** AUTOMOWER 105  
ACCESSORIES

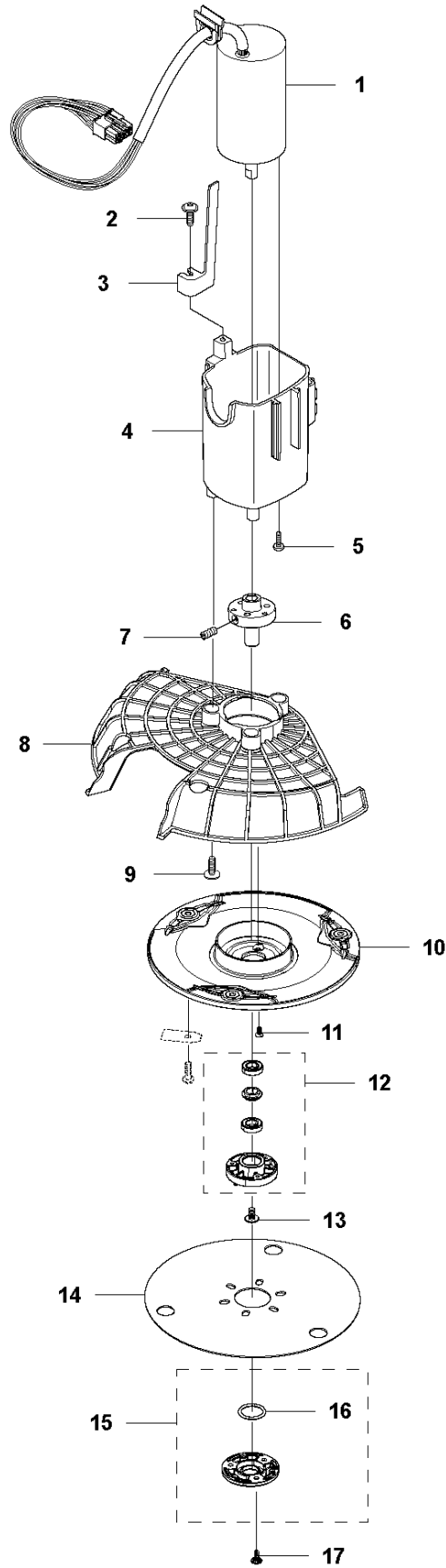


## ACCESSORIES

AUTOMOWER 105, 2017-01

| Ref | Part No      | Description     | Remark                              | QTY KIT |
|-----|--------------|-----------------|-------------------------------------|---------|
| 1   | 577 85 81-03 | DVD             | Autocheck EXP - Service Program DVD | 1       |
| 2   | 577 51 81-02 | CABLE           | USB Service Cable, G3 Mowers        | 1       |
| 3   | 580 68 95-02 | LABEL           | Warranty Seal 1pcs                  | 1       |
| 4   | 577 60 68-01 | TEST EQUIPMENT  | Loop Wire Interruption Detector     | 1       |
| 5   | 588 40 84-01 | CHARGER         | Quick Charger with Battery Test     | 1       |
| 6   | 588 20 26-01 | CABLE ASSY      | Cable Quick Charger                 | 1       |
| 7   | 580 96 54-02 | BODY KIT        | Body, White Upgrade KIT             | 1       |
| 8   | 581 16 57-01 | THREAD INSERT   | Metal Insert Repair KIT (4 pcs)     | 1       |
| 9   | 115 44 50-01 | WORKSHOP MANUAL | TECHNICAL MANUAL, Swedish           | 1       |
| 9   | 115 44 50-06 | WORKSHOP MANUAL | TECHNICAL MANUAL, Danish            | 1       |
| 9   | 115 44 50-11 | WORKSHOP MANUAL | TECHNICAL MANUAL, Finnish           | 1       |
| 9   | 115 44 50-21 | WORKSHOP MANUAL | TECHNICAL MANUAL, Norwegian         | 1       |
| 9   | 115 44 50-26 | WORKSHOP MANUAL | TECHNICAL MANUAL, English           | 1       |
| 9   | 115 44 50-31 | WORKSHOP MANUAL | TECHNICAL MANUAL, French            | 1       |
| 9   | 115 44 50-36 | WORKSHOP MANUAL | TECHNICAL MANUAL, Dutch             | 1       |
| 9   | 115 44 50-41 | WORKSHOP MANUAL | TECHNICAL MANUAL, Italian           | 1       |
| 9   | 115 44 50-46 | WORKSHOP MANUAL | TECHNICAL MANUAL, Spanish           | 1       |
| 9   | 115 44 50-51 | WORKSHOP MANUAL | TECHNICAL MANUAL, German            | 1       |
| 9   | 115 44 50-56 | WORKSHOP MANUAL | TECHNICAL MANUAL, Russian           | 1       |
| 9   | 115 44 50-58 | WORKSHOP MANUAL | TECHNICAL MANUAL, Hungarian         | 1       |
| 9   | 115 44 50-61 | WORKSHOP MANUAL | TECHNICAL MANUAL, Polish            | 1       |
| 9   | 115 44 50-62 | WORKSHOP MANUAL | TECHNICAL MANUAL, Romanian          | 1       |
| 9   | 115 44 50-63 | WORKSHOP MANUAL | TECHNICAL MANUAL, Estonian          | 1       |
| 9   | 115 44 50-64 | WORKSHOP MANUAL | TECHNICAL MANUAL, Latvian           | 1       |
| 9   | 115 44 50-65 | WORKSHOP MANUAL | TECHNICAL MANUAL, Lithuanian        | 1       |
| 9   | 115 44 50-71 | WORKSHOP MANUAL | TECHNICAL MANUAL, Greek             | 1       |
| 9   | 115 44 50-76 | WORKSHOP MANUAL | TECHNICAL MANUAL, Turkish           | 1       |
| 9   | 115 44 50-81 | WORKSHOP MANUAL | TECHNICAL MANUAL, Croatian          | 1       |
| 9   | 115 44 50-90 | WORKSHOP MANUAL | TECHNICAL MANUAL, Czech             | 1       |

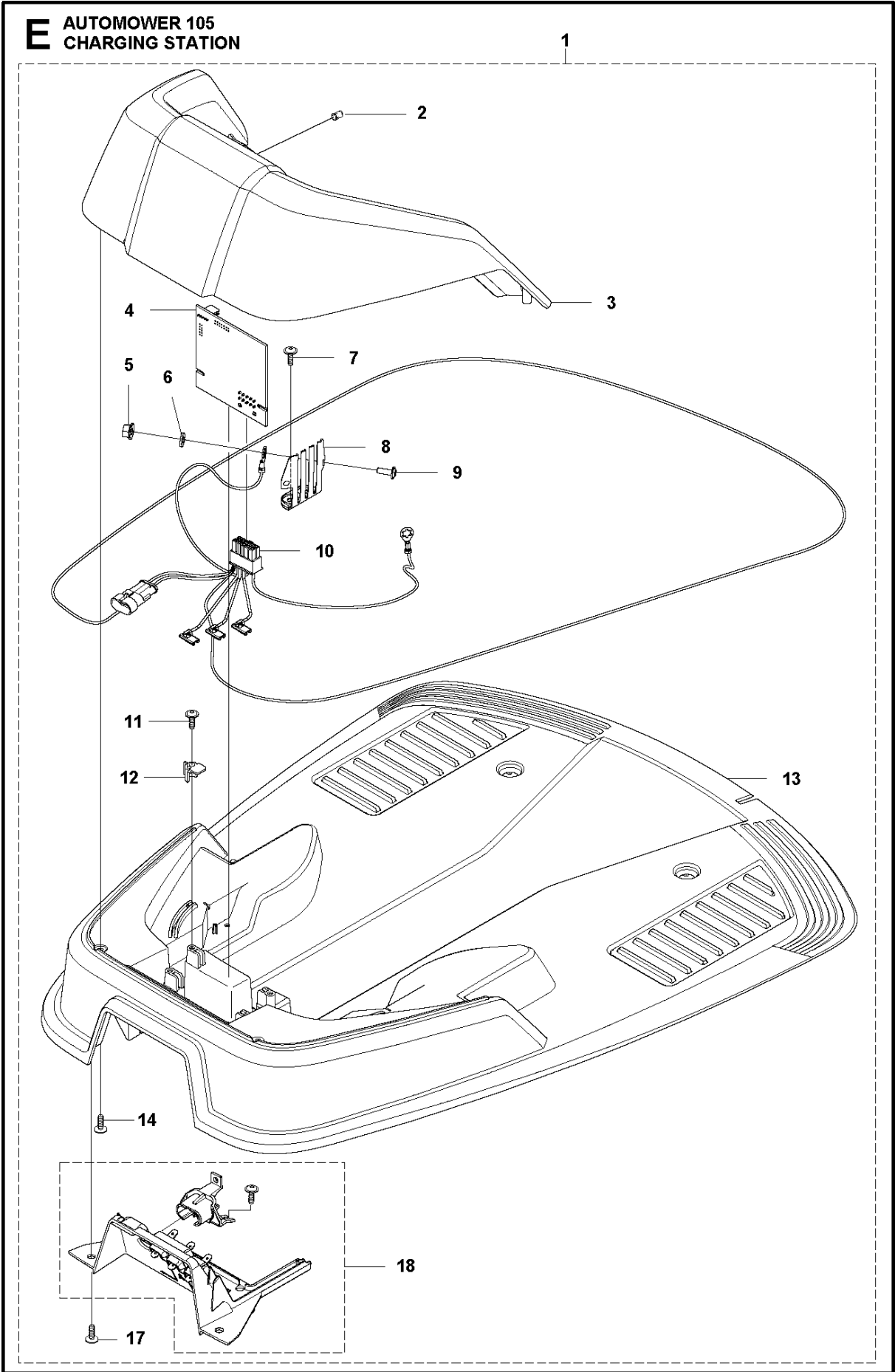
**D** AUTOMOWER 105  
BLADE MOTOR & CUTTING EQUIPMENT



## BLADE MOTOR &amp; CUTTING EQUIPMENT

AUTOMOWER 105, 2017-01

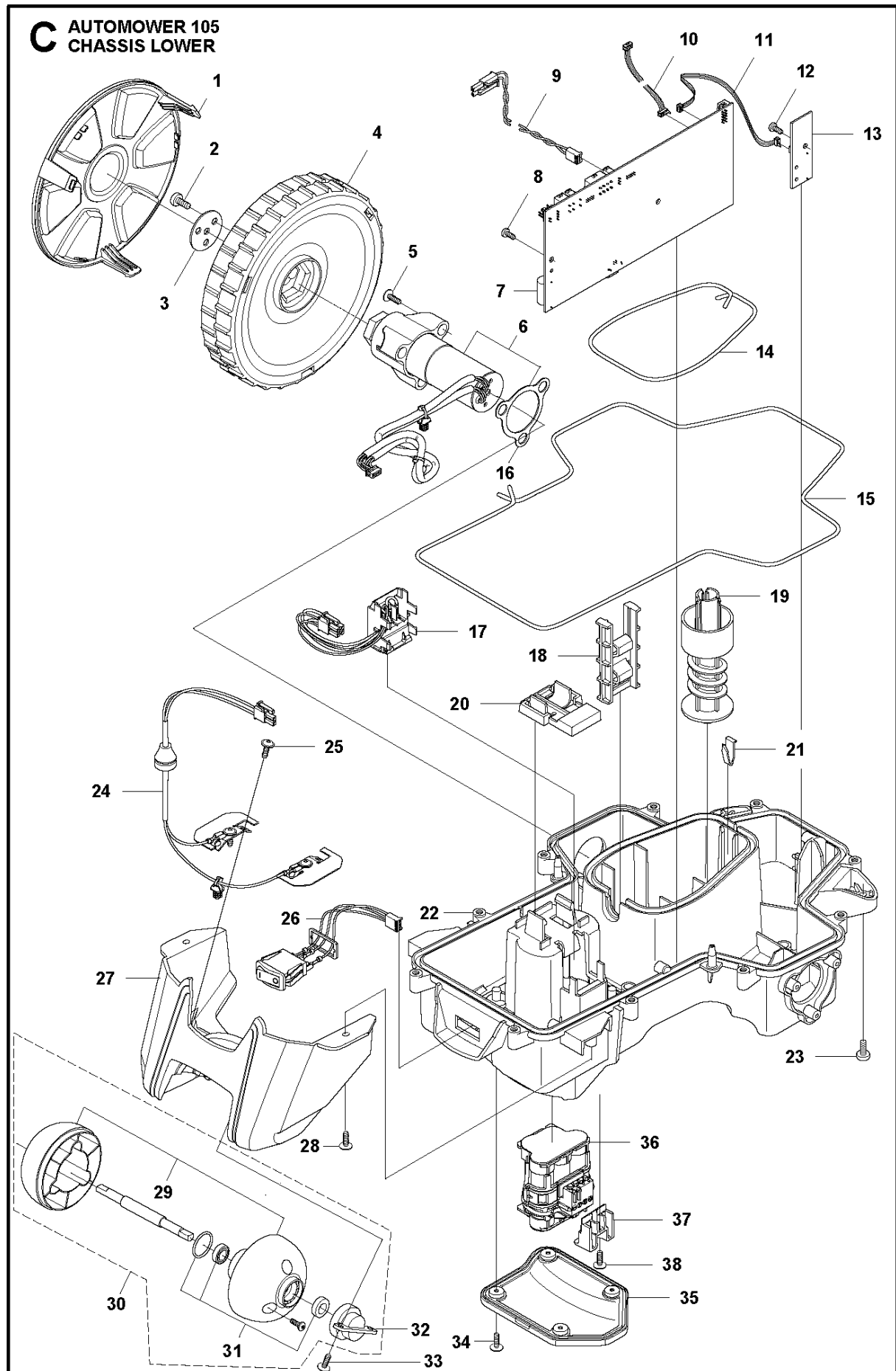
| Ref | Part No      | Description          | Remark               | QTY KIT |
|-----|--------------|----------------------|----------------------|---------|
| 1   | 584 98 93-02 | MOTOR                | Cutting Motor        | 1       |
| 2   | 575 54 33-10 | SCREW                | Screw, Grey (14 mm)  | 1       |
| 3   | 574 50 35-01 | HEIGHT INDICATOR     | Height Indicator     | 1       |
| 4   | 581 02 03-01 | MOTOR HOUSING        | Motor Housing        | 1       |
| 5   | 576 21 38-01 | SCREW ITPANM         | Screw                | 3       |
| 6   | 587 42 34-01 | HUB                  | Hub, Cutting Motor   | 1       |
| 7   | 576 21 35-01 | SCREW IHSETM         | Stop Screw           | 1       |
| 8   | 579 75 83-01 | GUARD                | Guard, Cutting Disc  | 1       |
| 9   | 575 54 33-14 | SCREW                | Screw, Grey (14 mm)  | 3       |
| 10  | 587 42 36-01 | CUTTING DISC         | Cutting Disc         | 1       |
| 11  | 535 13 05-02 | SCREW                | Screw                | 3       |
| 12  | 588 42 17-01 | BEARING HOUSING ASSY | Bearing Housing ASSY | 1       |
| 13  | 535 07 60-01 | SCREW                | Screw                | 1       |
| 14  | 587 42 37-01 | SKID PLATE           | Skid Plate           | 1       |
| 15  | 587 44 96-01 | COVER KIT            | Bearing Cover        | 1       |
| 16  | 585 29 75-01 | O-RING               | O-Ring               | 1       |
| 17  | 575 54 33-14 | SCREW                | Screw                | 3       |



## CHARGING STATION

AUTOMOWER 105, 2017-01

| Ref | Part No      | Description          | Remark                          | QTY KIT |
|-----|--------------|----------------------|---------------------------------|---------|
| 1   | 576 63 67-12 | CHARGING STATION     | Charging Station                | 1       |
| 2   | 535 12 87-02 | DIODE LENS           | Diode Lens                      | 1       |
| 3   | 575 70 84-02 | CHARGING STATION     | Charging Station Cover, Grey    | 1       |
| 4   | 582 87 62-01 | PRINTED CIRCUIT ASSY | Circuit Board, Charging Station | 1       |
| 5   | 588 22 21-01 | HEXAGON NUT FLANGE   | Nut Flange                      | 2       |
| 6   | 535 08 74-01 | WASHER               | Washer                          | 2       |
| 7   | 575 54 33-14 | SCREW                | Screw, Grey (14 mm)             | 2       |
| 8   | 587 12 51-01 | CONTACT              | Contact, Charging Station       | 2       |
| 9   | 588 22 22-01 | SCREW ITXPANM        | Screw                           | 2       |
| 10  | 582 38 10-01 | CABLE ASSY           | Loom, Charging Station          | 1       |
| 11  | 575 54 33-14 | SCREW                | Screw, Grey (14 mm)             | 2       |
| 12  | 535 12 79-01 | BRACKET              | Bracket                         | 2       |
| 13  | 581 55 19-03 | CHARGING STATION     | Charging Station Base Plate     | 1       |
| 14  | 575 54 33-14 | SCREW                | Screw, Grey (14 mm)             | 4       |
| 17  | 575 54 33-14 | SCREW                | Screw, Grey (14 mm)             | 4       |
| 18  | 582 35 64-01 | PANEL ASSY           | Guide Cover, Charging Station   | 1       |



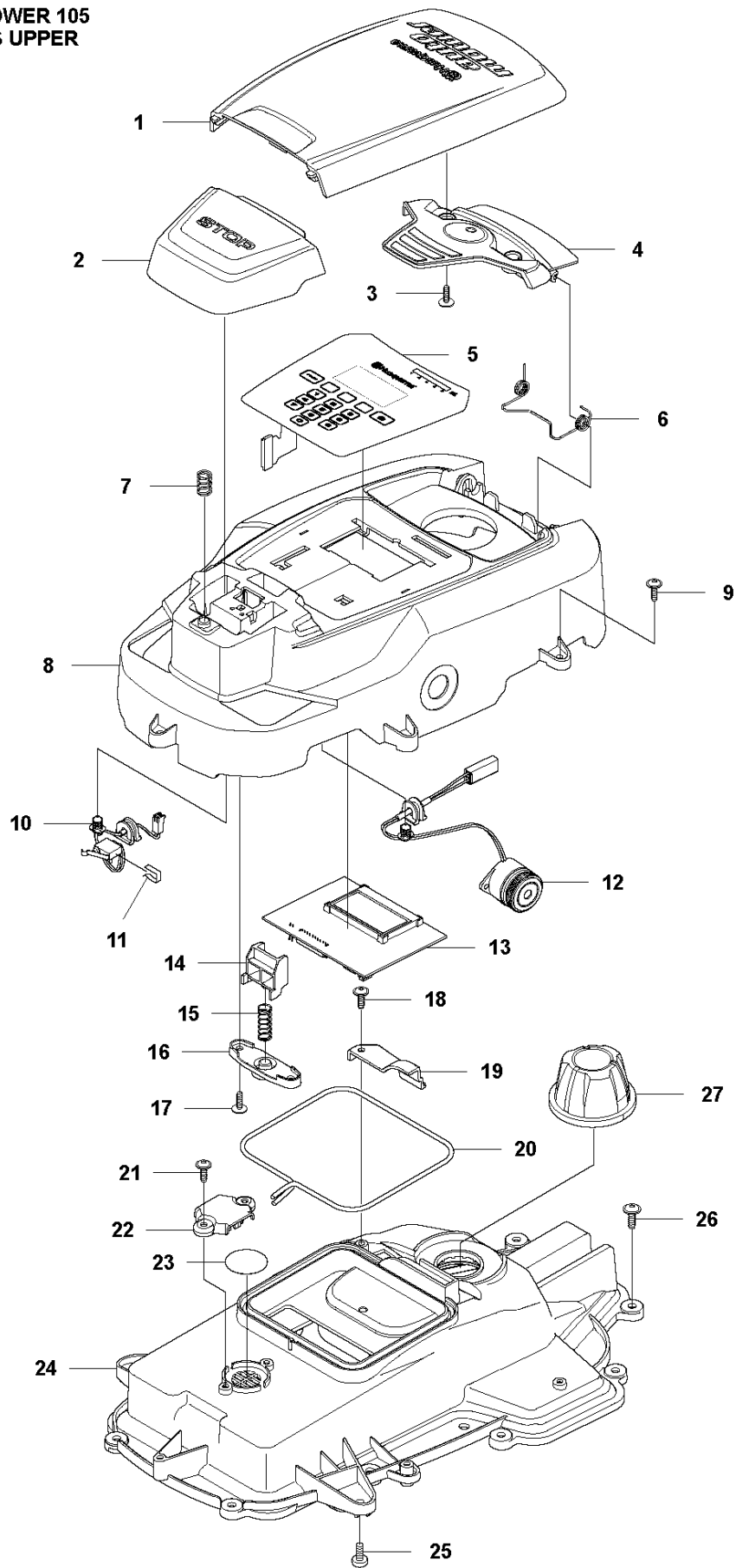


## CHASSIS LOWER

AUTOMOWER 105, 2017-01

| Ref | Part No      | Description          | Remark  | QTY KIT |
|-----|--------------|----------------------|---|---------|
| 1   | 575 43 08-01 | HUB CAP              | Hub Cap, Drive Wheel                            | 2       |
| 2   | 576 21 39-02 | SCREW ITXPANM        | Screw   | 6       |
| 3   | 577 09 32-01 | WASHER               | Washer, Drive Wheel                             | 2       |
| 4   | 574 46 51-04 | WHEEL                | Wheel, Drive Wheel                              | 2       |
| 5   | 575 54 33-14 | SCREW                | Screw, Grey (14 mm)                             | 6       |
| 6   | 577 83 99-04 | WHEEL MOTOR ASSY     | Wheel Motor KIT incl. Sealing                   | 2       |
| 7   | 588 62 88-03 | PRINTED CIRCUIT ASSY | Main Circuit Board (MCB) (From S/N 16010001-)   | 1       |
| 8   | 535 13 03-10 | SCREW ITXPANT        | Screw (10 mm)                                   | 2       |
| 9   | 576 22 02-01 | LOOM                 | Loom, Buzzer Extension                          | 1       |
| 10  | 588 83 27-01 | WIRING ASSY          | Loom, Display (From S/N 16010001-)              | 1       |
| 11  | 588 90 12-01 | WIRING ASSY          | Loom, Loop and Lift Sensor (From S/N 16010001-) | 1       |
| 12  | 535 13 03-10 | SCREW ITXPANT        | Screw (10 mm)                                   | 1       |
| 13  | 588 57 21-01 | PRINTED CIRCUIT ASSY | PCB Sensor Board                                | 1       |
| 14  | 574 87 47-04 | SEALING STRIP        | Sealing Strip (1 pcs, 4 mm)                     | 1       |
| 15  | 574 87 47-03 | SEALING STRIP        | Sealing Strip, Chassis (1 pcs, 4 mm)            | 1       |
| 16  | 574 37 37-01 | GASKET               | Sealing/Gasket, Motor Flange                    | 2       |
| 17  | 574 47 98-01 | LOOM                 | Loom, Li-Ion Battery                            | 1       |
| 18  | 574 50 19-01 | GUIDE RAIL           | Guide Rail, Motor Bowl                          | 2       |
| 19  | 574 48 46-01 | SCREW                | Height Adjustment Screw                         | 1       |
| 20  | 575 40 82-01 | LOCK                 | Lock, Battery Plug                              | 1       |
| 21  | 577 10 32-01 | LOCKING SPRING       | Locking Spring                                  | 1       |
| 22  | 577 84 62-03 | CHASSIS              | Chassis Lower KIT, incl. Sealing                | 1       |
| 23  | 576 21 39-01 | SCREW ITXPANM        | Screw   | 2       |
| 24  | 588 95 09-01 | CABLE ASSY           | Loom, Charging Plate                            | 1       |
| 25  | 575 52 95-02 | SCREW ITXPANTT       | Screw, Grey (14 mm)                             | 2       |
| 26  | 579 70 87-01 | CABLE ASSY           | Swith ON/OFF with Seal                          | 1       |
| 27  | 574 46 72-02 | HOUSING              | Housing, Rear Wheel                             | 1       |
| 28  | 575 54 33-14 | SCREW                | Screw, Grey (14 mm)                             | 3       |
| 29  | 583 85 39-02 | REAR WHEEL           | Rear Wheel KIT                                  | 1       |
| 30  | 578 27 51-03 | REAR WHEEL           | Rear Wheel KIT Complete                         | 1       |
| 31  | 578 27 52-01 | REAR WHEEL           | Bearing (x2), Sealing (x2), O-Ring (x1)         | 1       |
| 32  | 577 71 50-01 | BEARING HOUSING      | Bearing Housing, Rear Wheel                     | 2       |
| 33  | 575 54 33-14 | SCREW                | Screw, Grey (14 mm)                             | 4       |
| 34  | 574 45 01-01 | SCREW ITXPANT        | Screw   | 4       |
| 35  | 574 46 73-01 | COVER                | Cover, Battery                                  | 1       |
| 36  | 586 57 62-01 | BATTERY              | Battery, Lithium 18 v                           | 1       |
| 37  | 582 38 61-01 | BRACKET              | Bracket   | 1       |
| 38  | 575 54 33-14 | SCREW                | Screw, Grey (14 mm)                             | 1       |

**B** AUTOMOWER 105  
CHASSIS UPPER

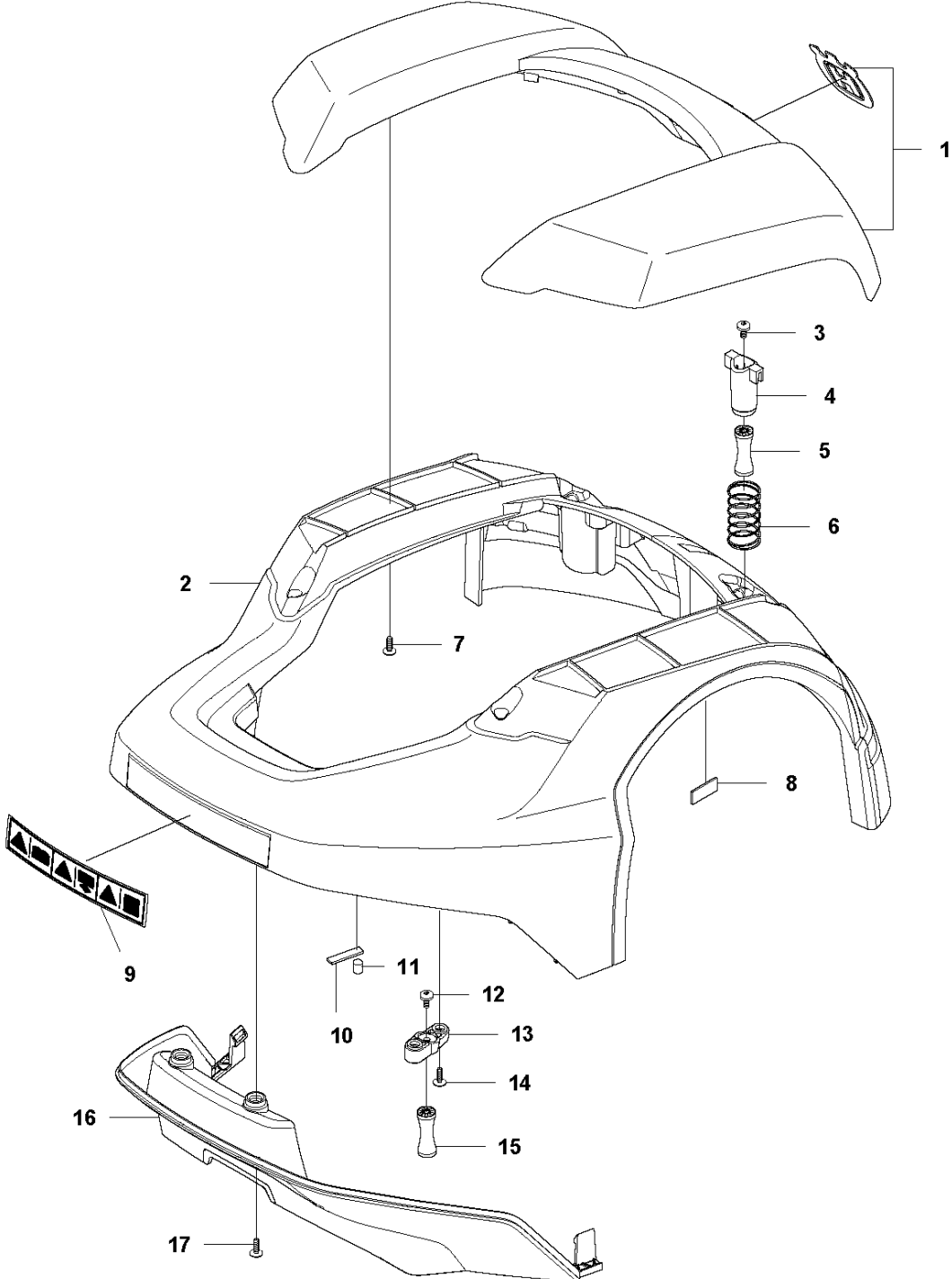


## CHASSIS UPPER

AUTOMOWER 105, 2017-01

| Ref | Part No      | Description          | Remark  | QTY KIT |
|-----|--------------|----------------------|---|---------|
| 1   | 588 79 76-03 | COVER                | Cover Height Adjustment, Grey                   | 1       |
| 2   | 574 46 47-01 | BUTTON               | Stop Button                                     | 1       |
| 3   | 575 54 33-14 | SCREW                | Screw, Grey (14 mm)                             | 2       |
| 4   | 574 37 79-01 | HINGE                | Hinge, Height Adjustment Lid                    | 1       |
| 5   | 575 77 94-01 | KEYBOARD             | Keyboard  | 1       |
| 6   | 576 24 21-01 | SPRING               | Spring, Height Adjustment Lid                   | 1       |
| 7   | 574 48 70-01 | SPRING               | Spring, Stop Button                             | 1       |
| 8   | 577 75 28-02 | KIT                  | Display Cover KIT incl. Sealing & Keypad        | 1       |
| 9   | 575 54 33-14 | SCREW                | Screw, Grey (14 mm)                             | 5       |
| 10  | 574 48 03-01 | SWITCH               | Micro Switch, Stop Button                       | 1       |
| 11  | 535 08 98-01 | CLIP                 | Clip, Stop Button                               | 1       |
| 12  | 574 47 59-01 | BUZZER               | Buzzer, Display Cover                           | 1       |
| 13  | 588 44 19-01 | PRINTED CIRCUIT ASSY | Display/HMI, Circuit Board (From S/N 16010001-) | 1       |
| 14  | 575 40 90-01 | LOCK                 | Lock, Stop Button                               | 1       |
| 15  | 576 24 22-01 | SPRING               | Spring Lock, Stop Button                        | 1       |
| 16  | 575 41 58-01 | SPRING HOLDER        | Spring Holder, Stop Button                      | 1       |
| 17  | 575 54 33-14 | SCREW                | Screw, Grey (14 mm)                             | 2       |
| 18  | 575 54 33-14 | SCREW                | Screw, Grey (14 mm)                             | 1       |
| 19  | 576 05 39-01 | COVER                | Cover, Height Indicator                         | 1       |
| 20  | 574 87 47-04 | SEALING STRIP        | Sealing Strip (1 pcs, 4 mm)                     | 1       |
| 21  | 575 54 33-14 | SCREW                | Screw, Grey (14 mm)                             | 2       |
| 22  | 576 69 70-01 | COVER                | Cover, Air Filter                               | 1       |
| 23  | 577 75 37-01 | KIT                  | Air Filter KIT (10 pcs)                         | 1       |
| 24  | 577 75 29-02 | KIT                  | Chassis Upper KIT incl. Sealing & Air Filter    | 1       |
| 25  | 576 21 39-01 | SCREW ITXPANM        | Screw   | 2       |
| 26  | 574 45 01-01 | SCREW ITXPANT        | Screw   | 10      |
| 27  | 579 74 24-01 | KNOB                 | Knob, KIT incl. Label                           | 1       |

**A** AUTOMOWER 105  
COVER

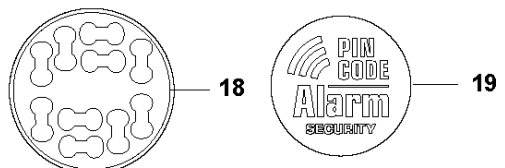
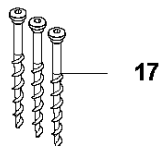
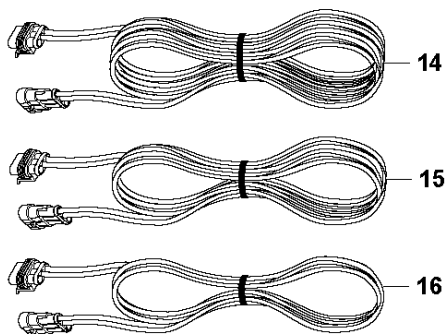
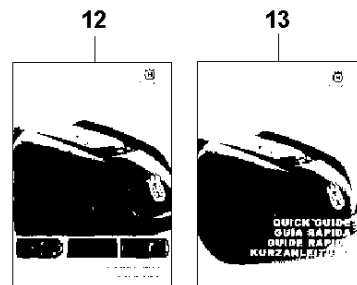
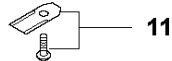
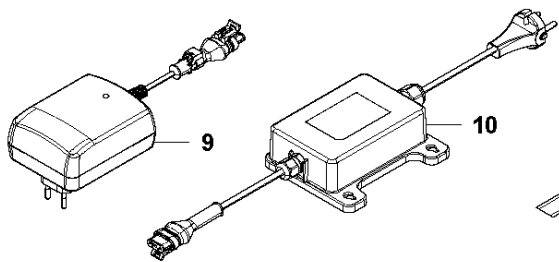
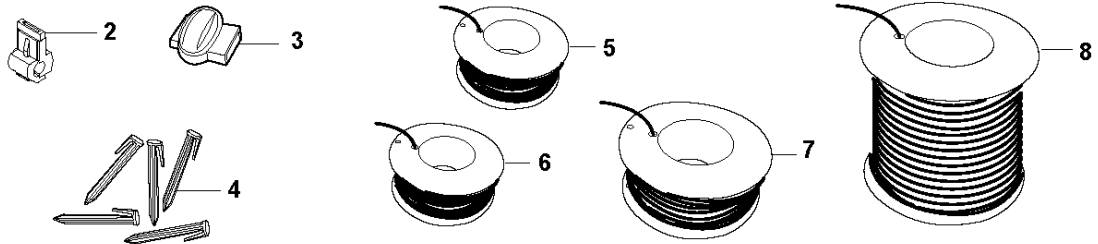
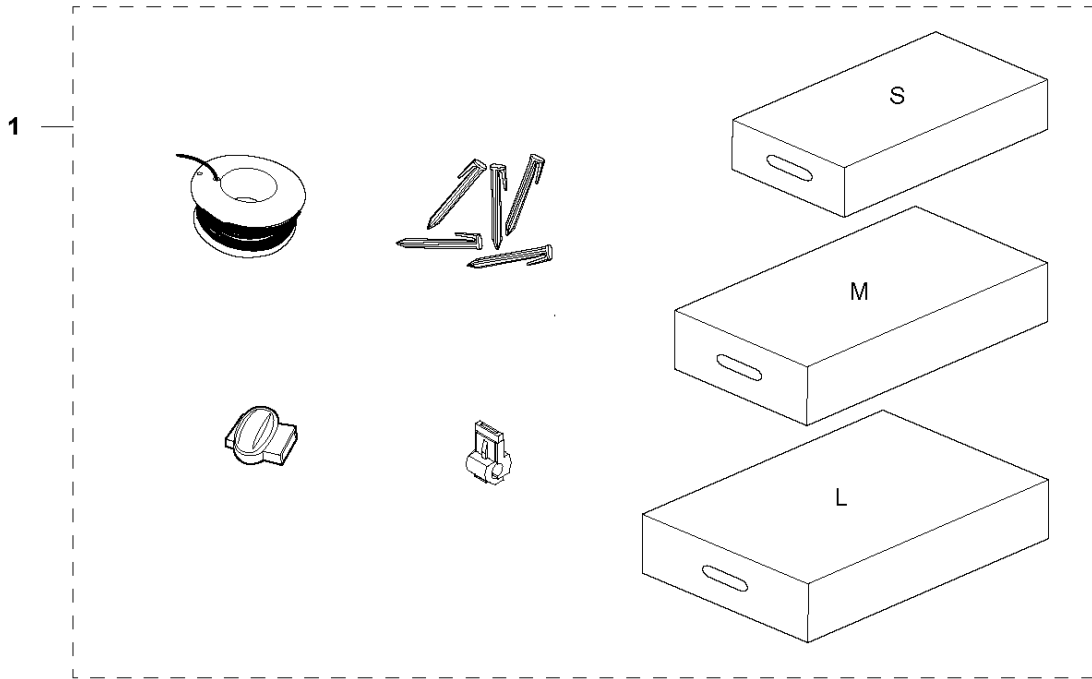


## COVER

AUTOMOWER 105, 2017-01

| Ref | Part No      | Description   | Remark                   | QTY KIT |
|-----|--------------|---------------|--------------------------|---------|
| 1   | 577 73 47-02 | KIT           | Bumper Front, Grey       | 1       |
| 2   | 577 74 72-02 | KIT           | Main Body KIT            | 1       |
| 3   | 576 21 39-01 | SCREW ITPANM  | Screw                    | 2       |
| 4   | 574 46 90-02 | BRACKET       | Bracket, Lift Sensor     | 2       |
| 5   | 574 46 91-02 | DAMPER        | Rubber Damper            | 2       |
| 6   | 574 48 51-02 | SPRING        | Spring, Lift Sensor      | 2       |
| 7   | 575 54 33-14 | SCREW         | Screw, Grey (14 mm)      | 7       |
| 8   | 576 18 32-01 | MAGNET        | Magnet, Lift Sensor      | 1       |
| 9   | 576 24 00-01 | LABEL         | Warning Label            | 1       |
| 10  | 576 03 01-01 | PLATE         | Plate, Collision Sensor  | 1       |
| 11  | 576 18 33-01 | MAGNET        | Magnet, Collision Sensor | 1       |
| 12  | 576 21 39-01 | SCREW ITPANM  | Screw                    | 2       |
| 13  | 575 41 60-02 | SUPPORT CLAMP | Support Clamp            | 2       |
| 14  | 575 54 33-14 | SCREW         | Screw, Grey (14 mm)      | 4       |
| 15  | 574 46 91-02 | DAMPER        | Rubber Damper            | 2       |
| 16  | 574 46 52-02 | BUMPER        | Bumper, Rear             | 1       |
| 17  | 575 54 33-10 | SCREW         | Screw, Grey (10 mm)      | 2       |

**F** AUTOMOWER 105  
INSTALLATION ACCESSORIES



INSTALLATION ACCESSORIES

AUTOMOWER 105, 2017-01

| Ref | Part No      | Description      | Remark  | QTY KIT |
|-----|--------------|------------------|---|---------|
| 1   | 967 62 36-01 | INSTALLATION KIT | Installation KIT S: Wire (150 m), Staples (300 pcs), Connectors (3 pcs), Couplers (5 pcs) | 1       |
| 1   | 967 62 36-02 | INSTALLATION KIT | Installation KIT M: Wire (250 m), Staples (400 pcs), Connectors (3 pcs), Couplers (5 pcs) | 1       |
| 1   | 967 62 36-03 | INSTALLATION KIT | Installation KIT L: Wire (400 m), Staples (600 pcs), Connectors (5 pcs), Couplers (5 pcs) | 1       |
| 2   | 535 12 90-01 | CONNECTOR        | Loop Wire Connector   | 1       |
| 2   | 577 86 48-01 | CONNECTOR        | Loop Wire Connector, Blister Pack, 5 pcs  | 1       |
| 3   | 501 98 02-01 | COUPLER          | Coupler, 1 pcs  | 1       |
| 3   | 577 86 47-01 | COUPLER          | Coupler, Blister Pack, 5 pcs  | 1       |
| 3   | 501 98 02-03 | COUPLER          | Coupler, 100 pcs  | 1       |
| 4   | 583 97 34-01 | STAPLE           | Staples, 100 pcs (85 mm)  | 1       |
| 4   | 577 86 42-01 | STAPLE           | Staples, Blister Pack, 100 pcs (105 mm)   | 1       |
| 5   | 577 86 43-02 | WIRE             | Loop Wire, Blister Pack (50 m)  | 1       |
| 5   | 580 66 20-02 | WIRE             | Loop Wire (150 m)   | 1       |
| 5   | 577 86 43-01 | WIRE             | Loop Wire, Blister Pack (150 m)   | 1       |
| 6   | 580 66 20-03 | WIRE             | Loop Wire (200 m)   | 1       |
| 7   | 580 66 20-01 | WIRE             | Loop Wire (250 m)   | 1       |
| 8   | 580 66 20-04 | WIRE             | Wire (800 m)  | 1       |
| 9   | 584 86 25-01 | TRANSFORMER      | Power Supply Unit EU  | 1       |
| 10  | 584 86 26-02 | POWER UNIT       | Power Supply Unit UK  | 1       |
| 10  | 584 86 26-03 | TRANSFORMER      | Power Supply Unit CH  | 1       |
| 10  | 584 86 26-05 | POWER UNIT       | Power Supply Unit AU-NZ   | 1       |
| 11  | 577 86 46-03 | BLADE SET        | Long Life - Safety Blade, Blister pack, 9 pcs   | 1       |
| 11  | 577 60 65-05 | BLADE SET        | Long Life - Safety Blade, 45 pcs  | 1       |
| 11  | 577 60 66-04 | BLADE SET        | Long Life - Safety Blade, 300 pcs   | 1       |
| 12  | 115875601    | TBD              | Operator's Manual, Swedish  | 1       |
| 12  | 115875606    | TBD              | Operator's Manual, Danish   | 1       |
| 12  | 115875611    | TBD              | Operator's Manual, Finnish  | 1       |
| 12  | 115875621    | TBD              | Operator's Manual, Norwegian  | 1       |
| 12  | 115875626    | TBD              | Operator's Manual, English  | 1       |
| 12  | 115875631    | TBD              | Operator's Manual, French   | 1       |
| 12  | 115875632    | TBD              | Operator's Manual, CA French  | 1       |
| 12  | 115875636    | TBD              | Operator's Manual, Dutch  | 1       |
| 12  | 115875641    | TBD              | Operator's Manual, Italian  | 1       |
| 12  | 115875646    | TBD              | Operator's Manual, Spanish  | 1       |
| 12  | 115875651    | TBD              | Operator's Manual, German   | 1       |
| 12  | 115875656    | TBD              | Operator's Manual, Russian  | 1       |
| 12  | 115875658    | TBD              | Operator's Manual, Hungarian  | 1       |
| 12  | 115875659    | TBD              | Operator's Manual, Portuguese   | 1       |
| 12  | 115875661    | TBD              | Operator's Manual, Polish   | 1       |
| 12  | 115875662    | TBD              | Operator's Manual, Romanian   | 1       |
| 12  | 115875663    | TBD              | Operator's Manual, Estonian   | 1       |
| 12  | 115875664    | TBD              | Operator's Manual, Latvian  | 1       |

## INSTALLATION ACCESSORIES

AUTOMOWER 105, 2017-01

| Ref | Part No      | Description | Remark  | QTY KIT |
|-----|--------------|-------------|---|---------|
| 12  | 115875665    | TBD         | Operator's Manual, Lithuanian                       | 1       |
| 12  | 115875668    | TBD         | Operator's Manual, Slovak                           | 1       |
| 12  | 115875671    | TBD         | Operator's Manual, Greek                            | 1       |
| 12  | 115875676    | TBD         | Operator's Manual, Turkish                          | 1       |
| 12  | 115875681    | TBD         | Operator's Manual, Croatian                         | 1       |
| 12  | 115875684    | TBD         | Operator's Manual, Slovenian                        | 1       |
| 12  | 115875690    | TBD         | Operator's Manual, Czech                            | 1       |
| 12  | 115875695    | TBD         | Operator's Manual, US English                       | 1       |
| 12  | 115875696    | TBD         | Operator's Manual, US Spanish                       | 1       |
| 13  | 115 78 69-10 | QUICK GUIDE | Quick Guide, Swedish, Danish, Norwegian, Finnish    | 1       |
| 13  | 115 78 69-20 | QUICK GUIDE | Quick Guide, German, French, Dutch, Slovenian       | 1       |
| 13  | 115 78 69-30 | QUICK GUIDE | Quick Guide, Spanish, Portuguese, Italian, English  | 1       |
| 13  | 115 78 69-38 | QUICK GUIDE | Quick Guide, English, Spanish, French, German       | 1       |
| 13  | 115 78 69-39 | QUICK GUIDE | Quick Guide, German, French, Italian, English       | 1       |
| 13  | 115 78 69-40 | QUICK GUIDE | Quick Guide, Russian, Estonian, Latvian, Lithuanian | 1       |
| 13  | 115 78 69-50 | QUICK GUIDE | Quick Guide, Czech, Slovak, Polish, Hungarian       | 1       |
| 13  | 115 78 69-93 | QUICK GUIDE | Quick Guide, Croatian, Turkish, Romanian, Greek     | 1       |
| 14  | 579 82 51-01 | CABLE ASSY  | Low Voltage Cable 20 m                              | 1       |
| 15  | 579 82 51-02 | CABLE ASSY  | Low Voltage Cable 10 m                              | 1       |
| 16  | 579 82 51-03 | CABLE ASSY  | Low Voltage Cable 3 m                               | 1       |
| 17  | 575 23 86-02 | SCREW KIT   | Anchor Screw KIT, 3 pcs                             | 1       |
| 17  | 577 86 49-01 | SCREW       | Anchor Screw KIT, Blister Pack, 3 pcs               | 1       |
| 18  | 586 27 79-01 | STICKER     | Sticker, Cable Markers, 10 pcs                      | 1       |
| 19  | 579 57 12-01 | LABEL       | Label Alarm   | 1       |