

# **AUTOMOWER<sup>®</sup> SOLAR HYBRID**

## **2010**

**Spare parts**

**Ersatzteile**

**Pièces détachées**

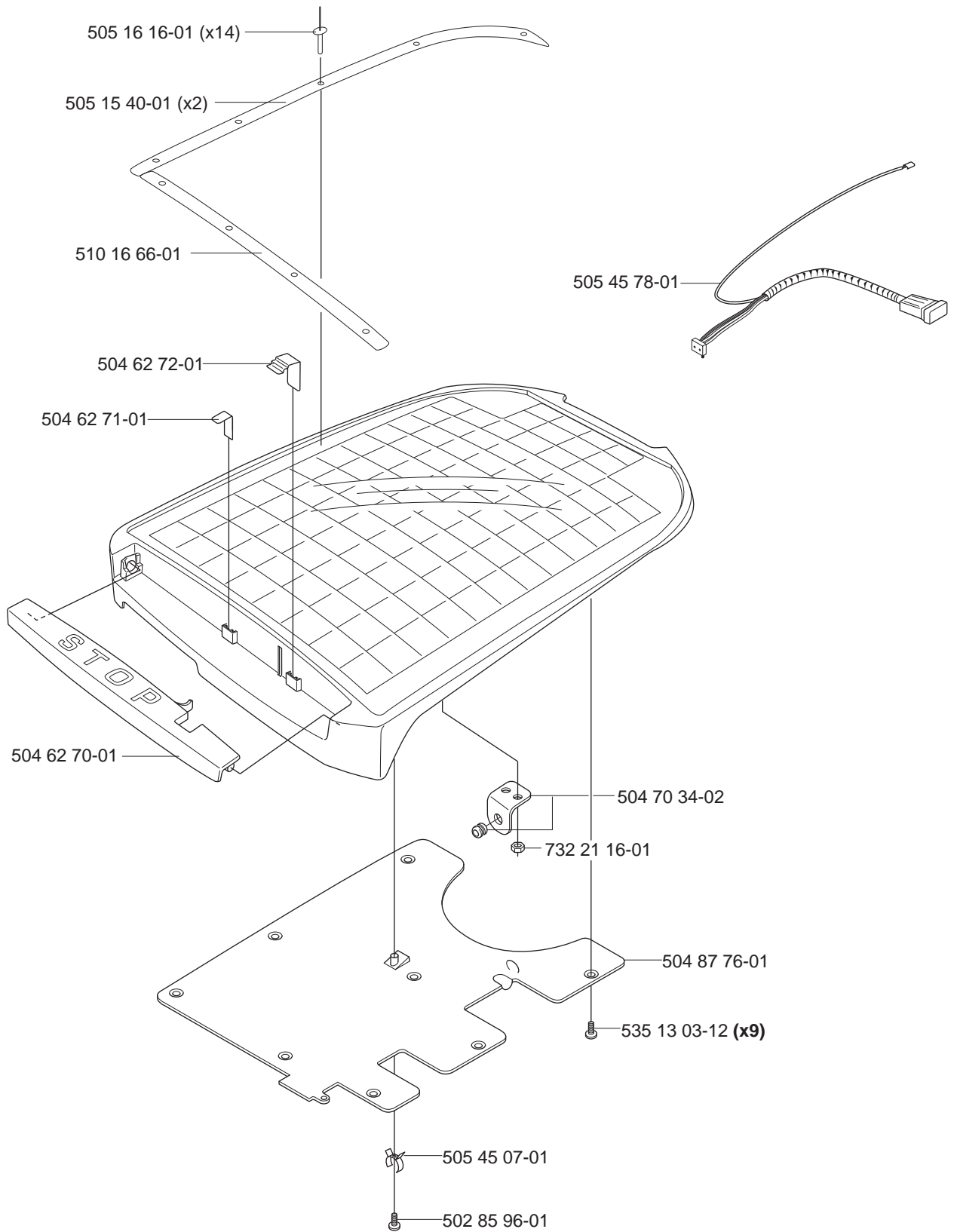
**Reserve onderdelen**

**Repuestos**

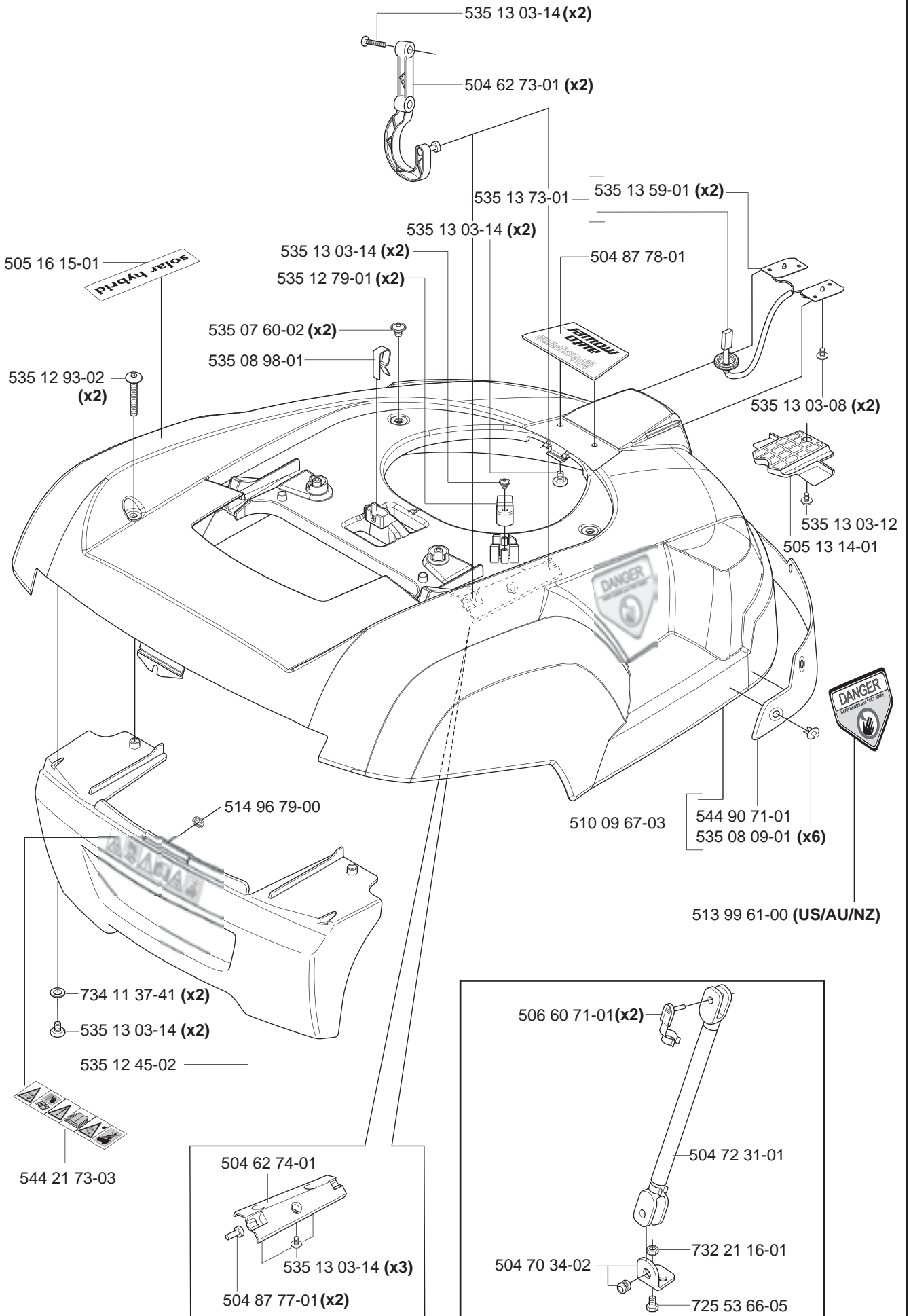
**Reservdelar**

PART NUMBER	SQUARE	NOTE	PART NUMBER	SQUARE	NOTE	PART NUMBER	SQUARE	NOTE
115 09 82-XX	J		522 51 64-01	D	N	535 13 03-14	BCDF	
115 13 03-XX	J		522 59 71-01	D	N	535 13 03-16	D	
115 13 05-XX	J		522 59 72-01	D	N	535 13 05-01	E	
115 13 09-XX	J		522 59 73-01	D	N	535 13 16-01	H	
115 27 61-XX	J	N	522 73 66-01	D	N	535 13 23-02	I	
115 27 62-XX	J	N	522 85 16-02	I	N	535 13 29-01	D	
115 27 63-XX	J	N	522 85 17-02	I	N	535 13 59-01	B	
115 27 64-XX	J	N	522 85 18-02	I	N	535 13 72-02	D	
115 27 65-XX	J	N	522 91 41-01	H	N	535 13 73-01	B	
501 00 18-01	I		522 91 67-01	I	N	535 13 81-01	D	
501 00 37-02	D		535 07 55-01	E		535 13 84-05	C	
501 00 42-01	D		535 07 57-02	E		535 13 85-01	E	
501 98 02-01	H		535 07 59-01	E		535 13 87-01	I	
501 98 02-02	H		535 07 60-01	BE		535 13 87-02	I	
501 98 03-01	H		535 07 60-02	BC		535 13 88-01	I	
501 98 03-02	H		535 08 09-01	B		535 13 88-02	I	
502 23 91-01	E		535 08 15-01	E		535 13 92-01	D	
502 85 96-01	AD		535 08 25-01	E		535 13 94-01	D	
504 04 97-01	H		535 08 76-01	D		535 13 96-01	D	
504 05 37-01	F		535 08 78-02	D	N	535 14 00-02	F	
504 20 08-01	D		535 08 89-01	H		535 14 12-01	I	
504 62 68-01	A		535 08 98-01	B		535 14 12-02	I	
504 62 70-01	A		535 09 14-01	C		535 14 27-07	I	N
504 62 71-01	A		535 10 17-01	C		535 14 32-01	C	
504 62 72-01	A		535 12 09-01	D		535 14 47-01	C	
504 62 73-01	B		535 12 20-01	D		540 06 03-03	C	
504 62 74-01	B		535 12 21-02	D		544 01 13-01	C	
504 70 34-02	AB		535 12 22-01	C		544 12 69-01	C	
504 72 31-01	B		535 12 23-01	E		544 14 15-01	C	
504 82 13-01	I		535 12 24-01	D		544 17 75-01	H	
504 87 76-01	A		535 12 25-01	C		544 21 73-03	B	
504 87 77-01	B		535 12 25-01	C		544 41 00-01	D	
504 87 78-01	B		535 12 31-02	D	N	544 45 41-03	F	N
505 12 78-01	I		535 12 36-01	E		544 89 98-02	C	
505 12 78-02	I		535 12 37-01	G		544 90 51-02	D	
505 13 14-01	B		535 12 37-02	G		544 90 58-02	D	
505 13 27-01	I		535 12 37-03	G		544 90 68-02	D	
505 13 28-01	I		535 12 37-04	G		544 90 71-01	B	
505 15 40-01	A		535 12 37-05	G		544 90 78-01	D	
505 16 15-01	B		535 12 37-06	G	N	544 98 07-01	G	
505 16 16-01	A		535 12 39-01	C		544 98 07-02	G	
505 17 43-01	C		535 12 43-03	F		544 98 07-03	G	
505 45 07-01	A		535 12 44-01	F		544 98 07-04	G	
505 45 78-01	A		535 12 45-02	B		544 98 07-05	G	
505 45 79-01	C		535 12 47-02	F		544 98 07-06	G	N
506 49 40-01	C		535 12 50-01	E		544 98 38-04	F	
506 49 43-03	D		535 12 52-01	D		725 53 66-05	B	
506 49 53-01	C		535 12 63-01	E		728 82 85-01	E	
506 60 71-01	B		535 12 64-01	E		732 21 16-01	AB	
510 05 97-02	F	N	535 12 73-05	H		734 11 37-41	BE	
510 09 67-03	B		535 12 79-01	BC		735 58 41-09	D	N
510 16 66-01	A		535 12 85-01	F				
510 20 99-01	I	N	535 12 86-01	F				
513 99 61-00	B		535 12 87-02	F				
514 96 79-00	B		535 12 90-01	H				
521 93 31-01	D	N	535 12 93-02	B				
522 42 58-01	I	N	535 13 03-08	B				
522 50 48-01	D	N	535 13 03-10	ABCDEF				
522 50 50-01	D	N	535 13 03-12	AB				

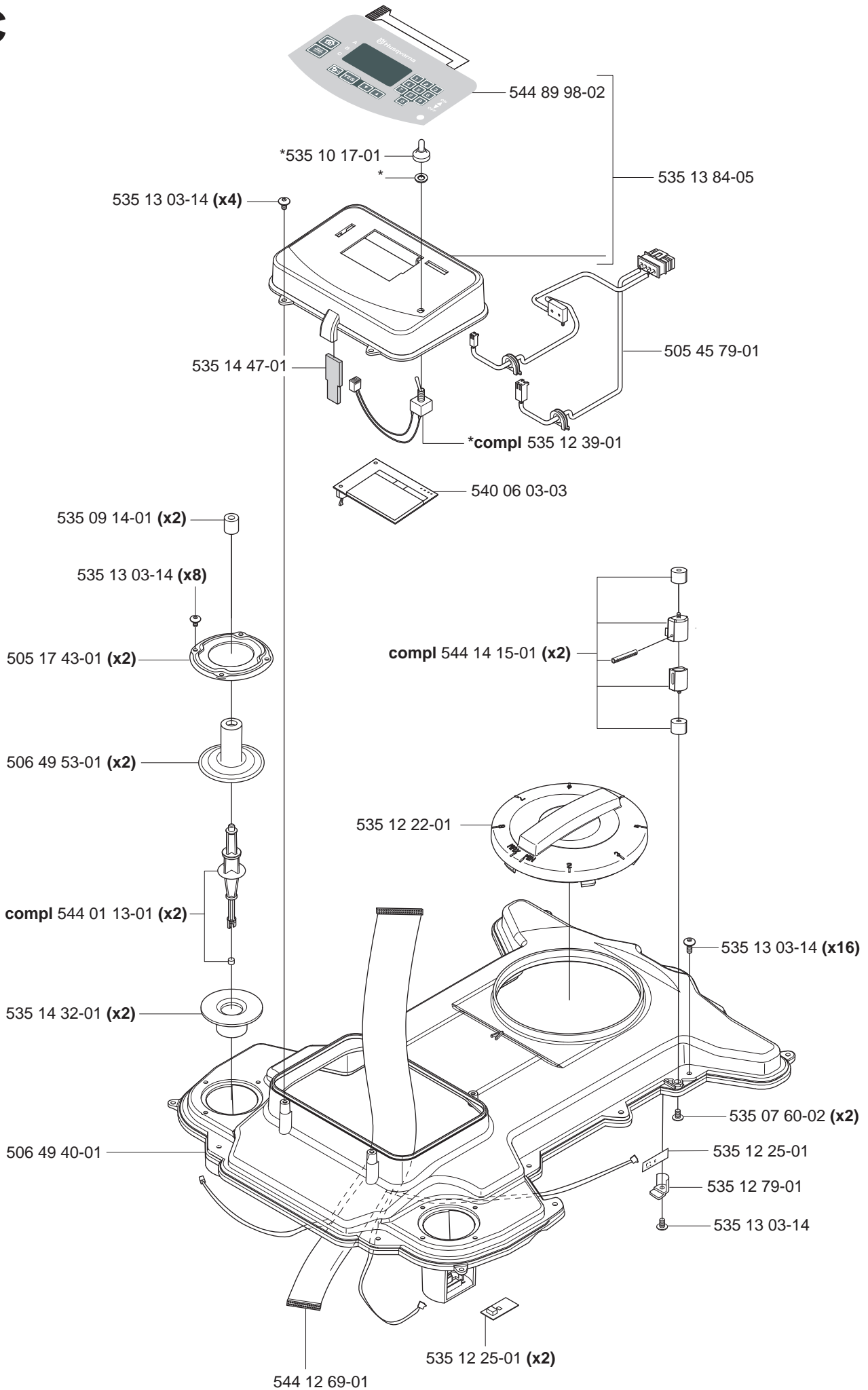
**A** compl 504 62 68-01



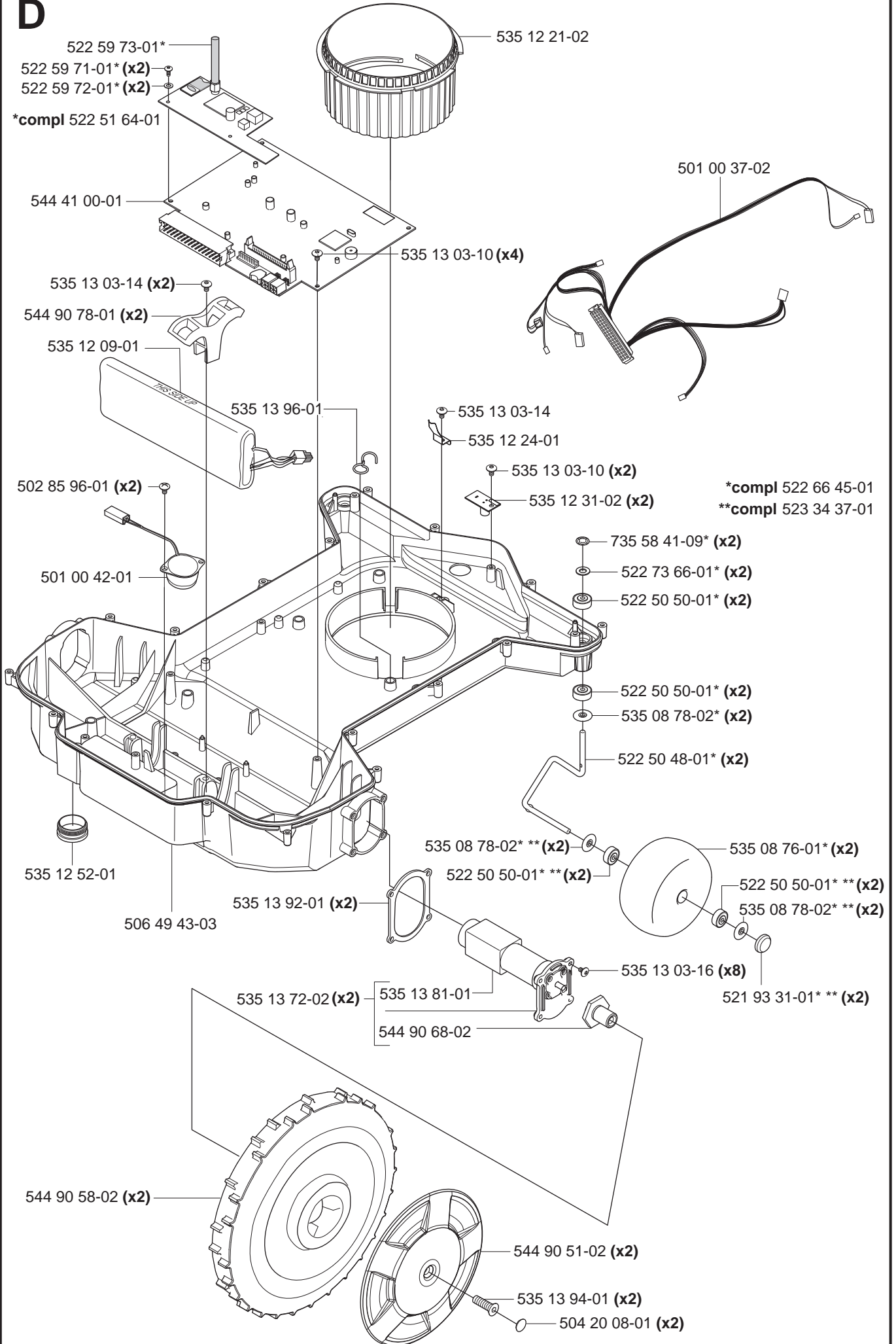
# B



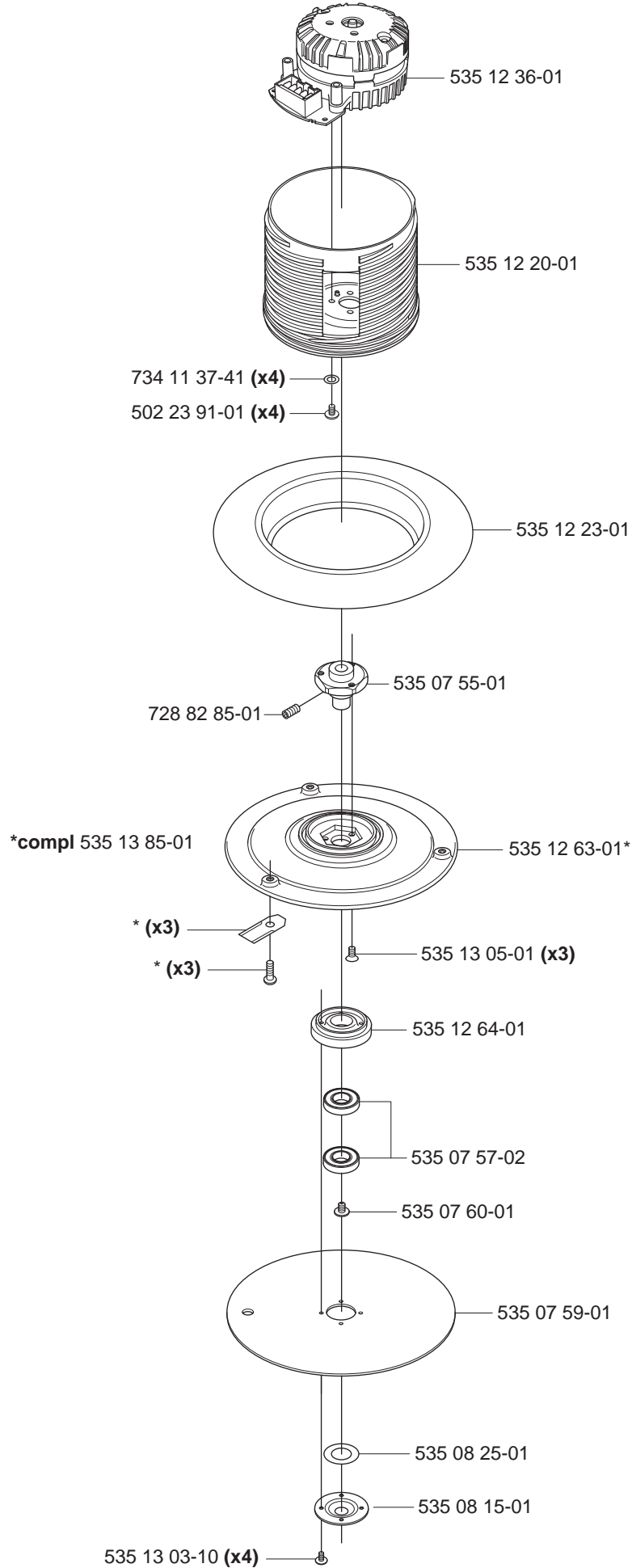
C

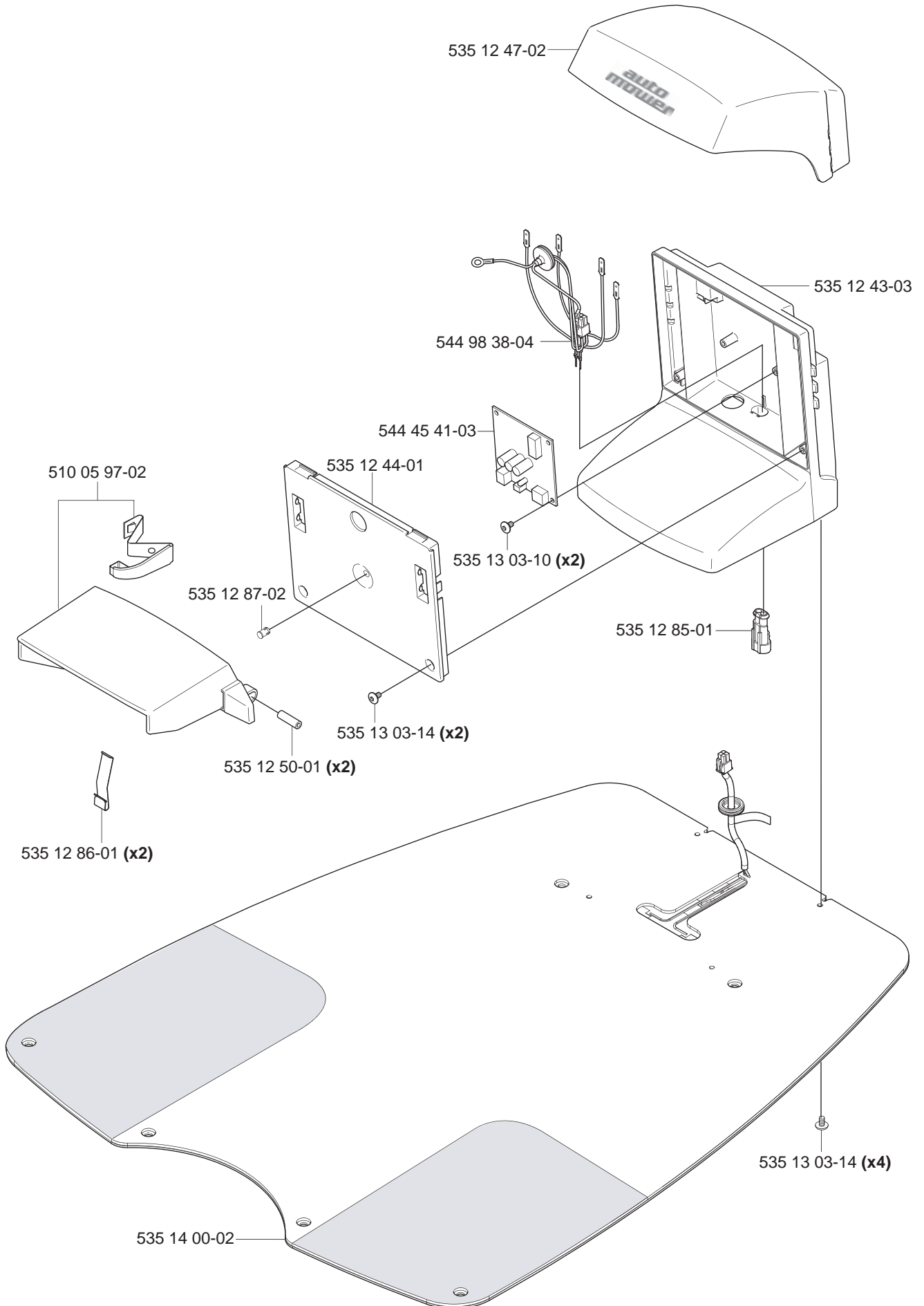


# D



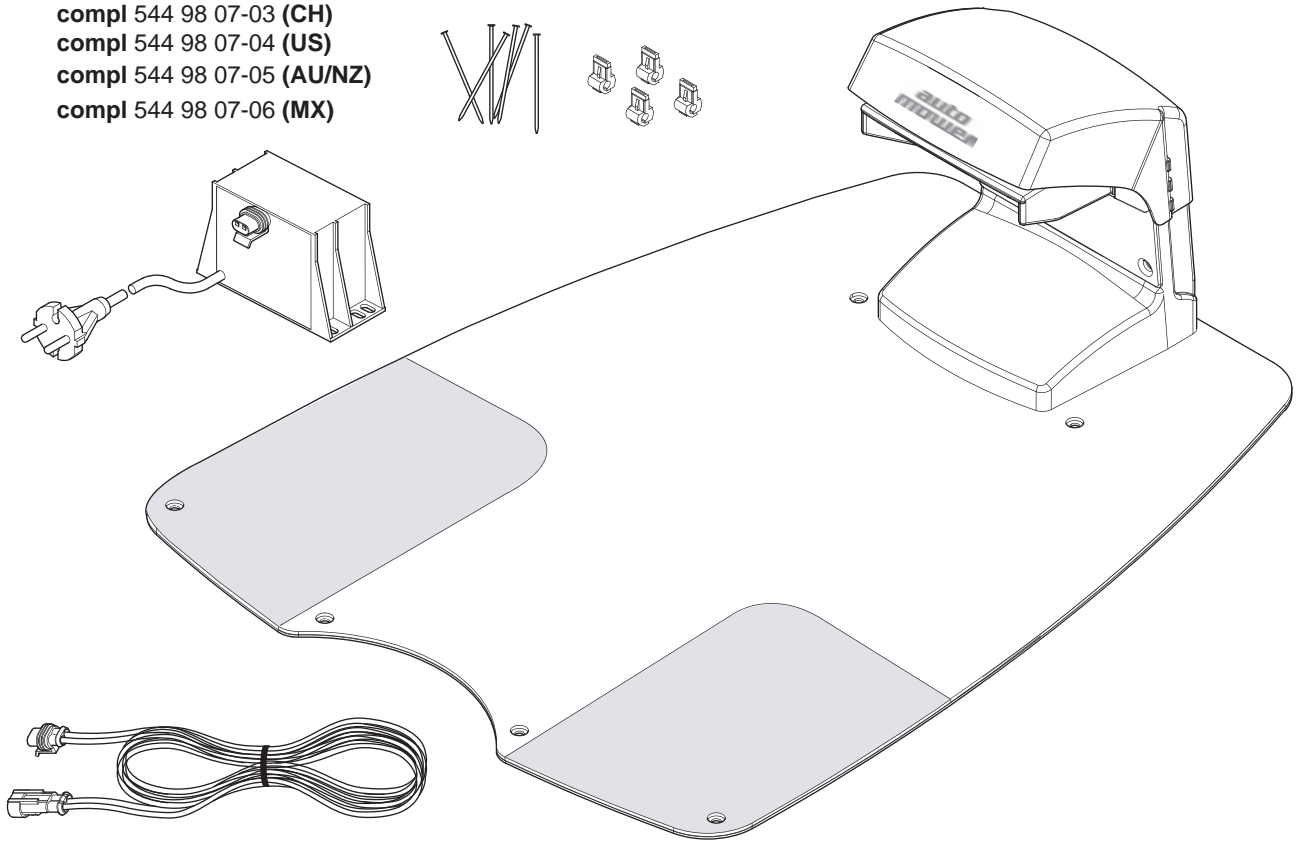
**E**



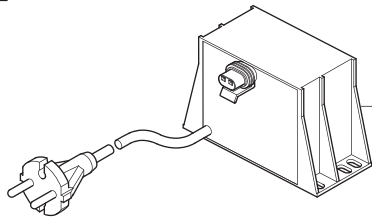




- G** compl 544 98 07-01 (EU)  
 compl 544 98 07-02 (UK)  
 compl 544 98 07-03 (CH)  
 compl 544 98 07-04 (US)  
 compl 544 98 07-05 (AU/NZ)  
 compl 544 98 07-06 (MX)



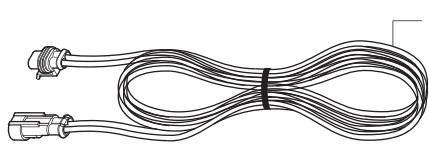
**H**



- 535 12 37-01 (EU)  
 535 12 37-02 (UK/IRL)  
 535 12 37-03 (CH)  
 535 12 37-04 (US)  
 535 12 37-05 (AU/NZ)  
 535 12 37-06 (MX)



504 04 97-01 (100 pcs)



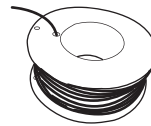
535 12 73-05 (20 m)



535 08 89-01 (6 pcs)



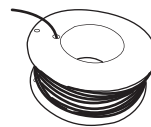
535 12 90-01



501 98 03-02 (150 m)



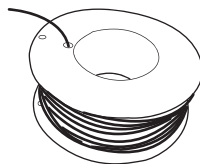
501 98 02-01 (1 pcs)



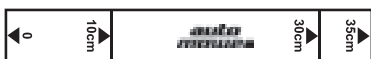
501 98 03-01 (250 m)



501 98 02-02 (50 pcs)



522 91 41-01 (500 m, Ø3.4 mm)





544 17 75-01

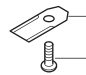



535 13 16-01


**Accessories  
Zubehöre  
Accessoires  
Accesorios  
Tillbehör**

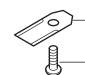
 535 13 87-01 (9 pcs Original)

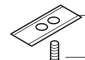
 535 13 88-01 (30 pcs Original)

 505 12 78-01 (500 pcs Original)

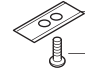
 535 13 87-02 (9 pcs)

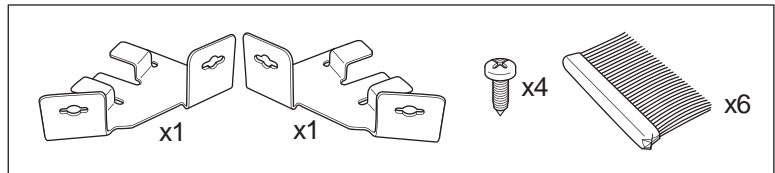
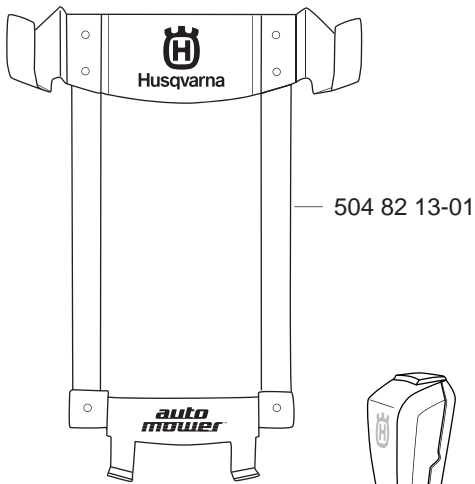
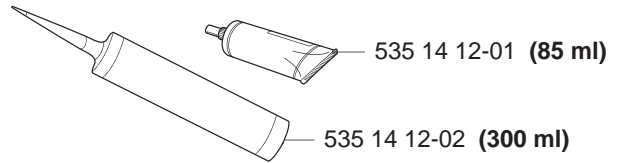
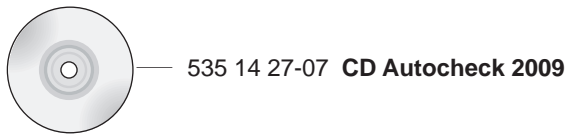
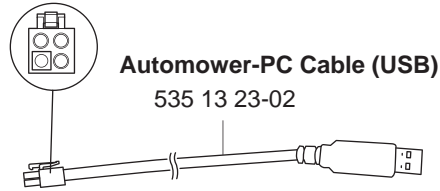
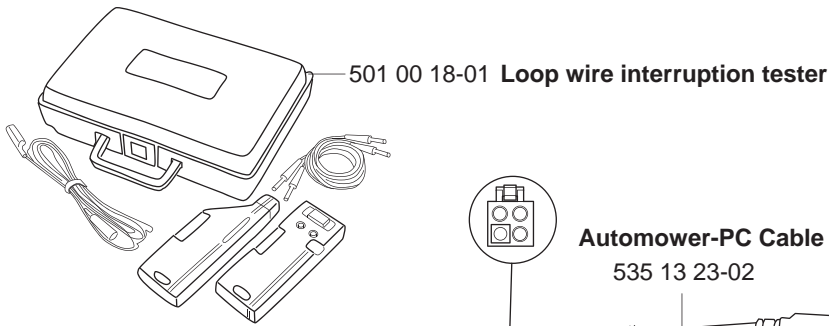
 535 13 88-02 (30 pcs)

 505 12 78-02 (500 pcs)

 522 85 16-02 (9 pcs)

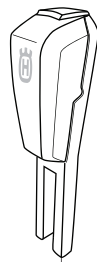
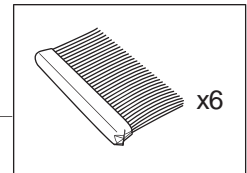
 522 85 17-02 (30 pcs)

 522 85 18-02 (300 pcs)

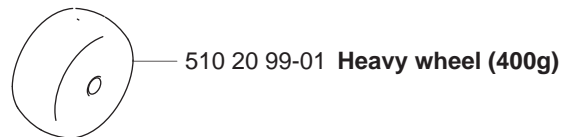


505 13 27-01

505 13 28-01



522 42 58-01  
Signal booster



# J



<b>Quick Guide 210 C</b>	115 13 03-XX	(US is -26)
<b>Quick Guide 220 AC &amp; 230 ACX</b>	115 13 05-XX	(US is -26)
<b>Quick Guide Solar Hybrid</b>	115 09 82-XX	(US is -26)
<b>Quick Guide 260 ACX</b>	115 13 09-XX	(US is -26)
<b>Owner's Manual 210 C</b>	115 27 61-XX	
<b>Owner's Manual 220 AC &amp; 230 ACX</b>	115 27 62-XX	
<b>Owner's Manual Solar Hybrid</b>	115 27 63-XX	
<b>Owner's Manual 260 ACX</b>	115 27 64-XX	
<b>Technical Handbook 2010</b>	115 27 65-XX	

-01	Svenska
-06	Dansk
-11	Soumi
-21	Norsk
-26	GB English
-31	Français
-36	Nederlands
-41	Italiano
-46	Español
-51	Deutsch
-56	Русский
-59	Português
-61	Polski
-63	Eesti
-64	Latviski
-65	Lietuvių
-68	Slovák
-84	Slovenčina
-90	Česky
-95	US English