

# 320

# 2013

**Spare parts**

**Ersatzteile**

**Pièces détachées**

**Reserve onderdelen**

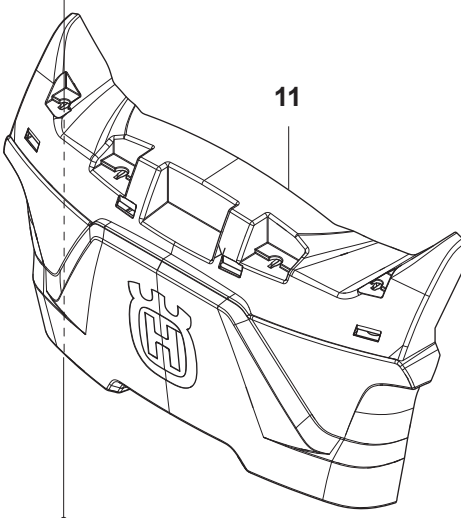
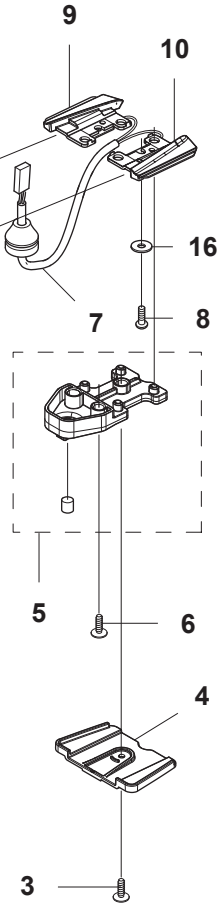
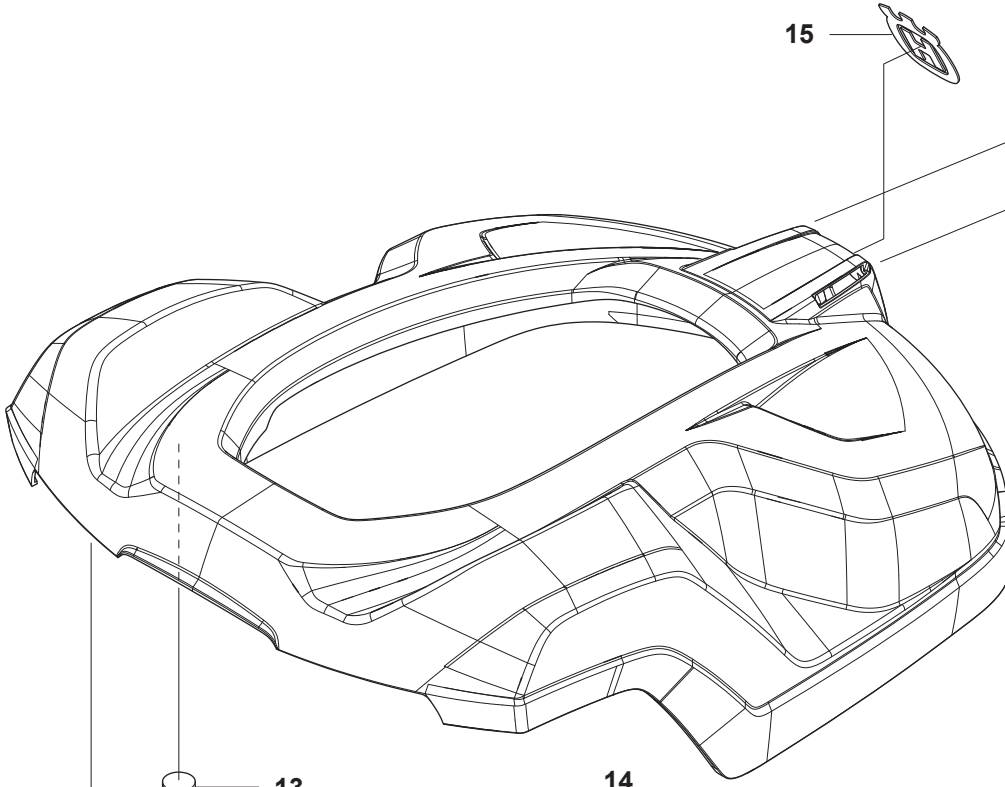
**Repuestos**

**Reservdelar**

---

# A AUTOMOWER 320 BODY

1



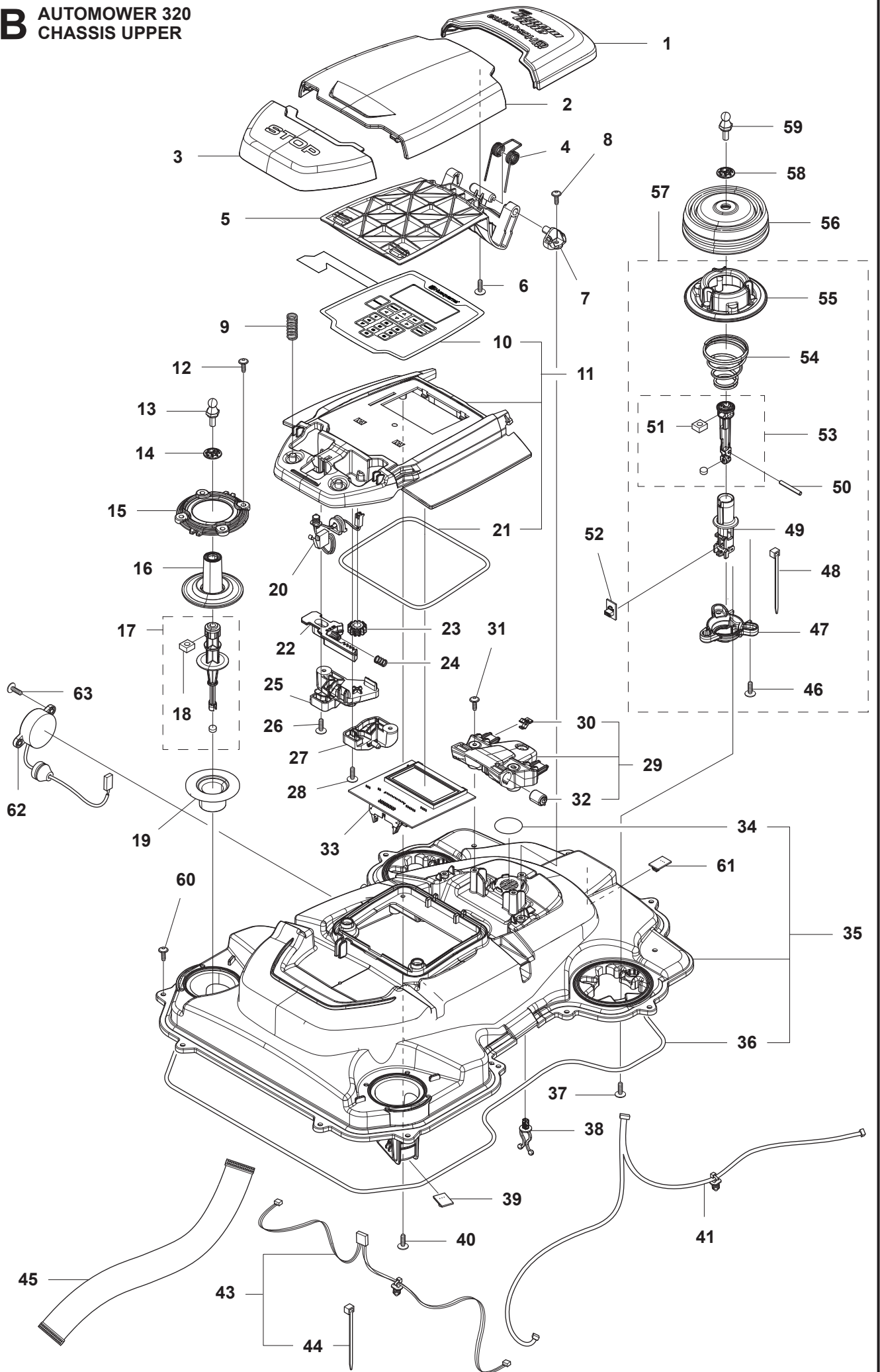
2

11

12

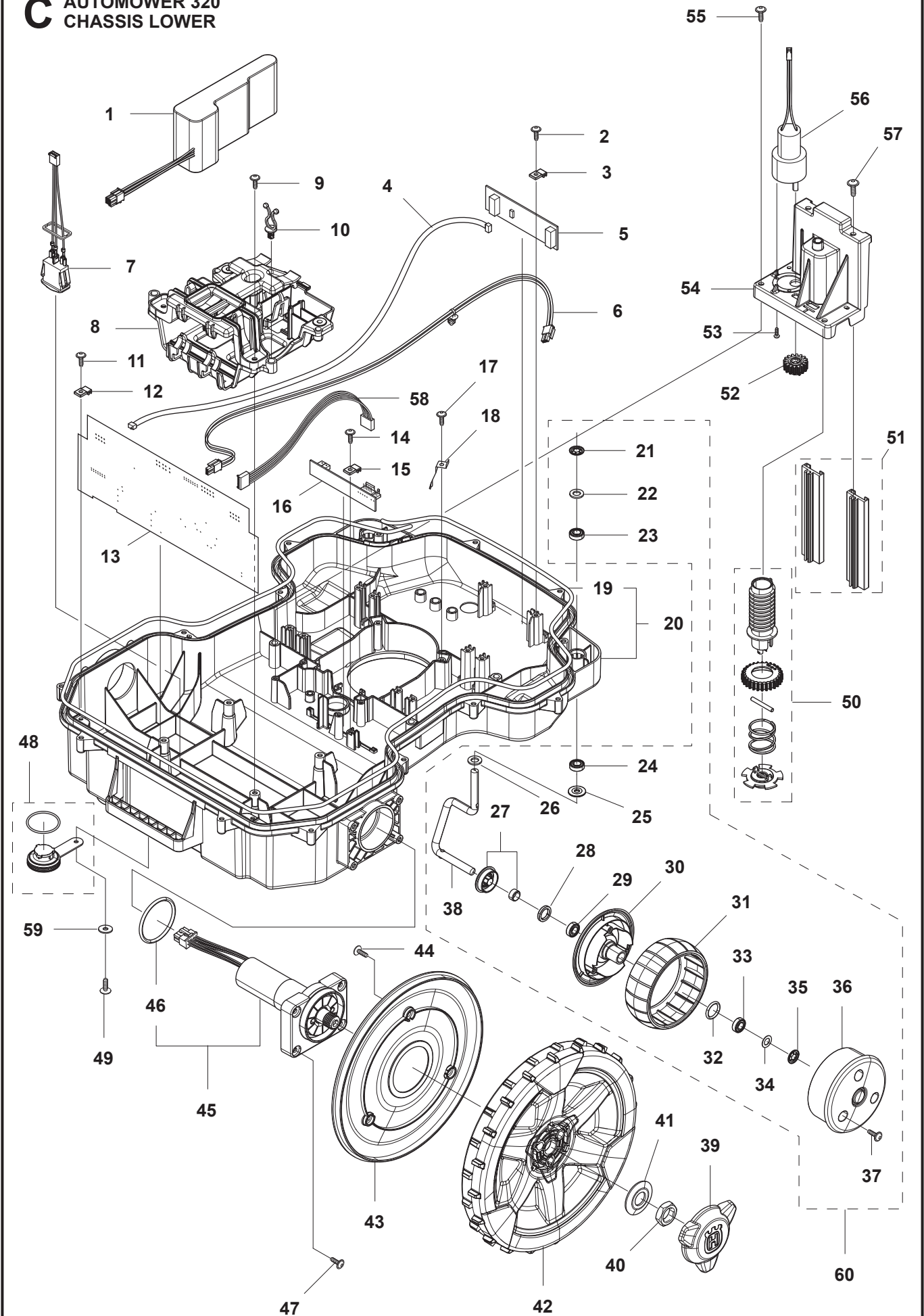
| Position | Article      | Quantity | Notes         | Kit  |
|----------|--------------|----------|---------------|------|
| 1        | 580 76 63 02 | 1        | BODY SYSTEM   |      |
| 2        | 581 62 04 01 | 1        | BODY KIT      | 1    |
| 3        | 575 54 33 14 | 1        | SCREW         | 1    |
| 4        | 580 35 19 01 | 1        | SHIELD        | 1    |
| 5        | 581 62 05 01 | 1        | HOLDER KIT    | 1    |
| 6        | 575 54 33 14 | 2        | SCREW         | 1    |
| 7        | 580 25 73 01 | 1        | LOOM          | 1    |
| 8        | 580 87 78 01 | 2        | SCREW ITXPANT | 1    |
| 9        | 579 53 30 01 | 1        | COVER         | 1    |
| 10       | 579 53 30 02 | 1        | COVER         | 1    |
| 11       | 579 51 98 01 | 1        | BUMPER        | 1    |
| 12       | 574 45 01 01 | 4        | SCREW ITXPANT | 1    |
| 13       | 580 52 68 01 | 4        | CAP           | 1, 2 |
| 14       | 579 72 48 01 | 1        | LABEL         | 1, 2 |
| 15       | 574 38 21 01 | 1        | DECAL         | 1, 2 |
| 16       | 734 11 37 41 | 2        | WASHER        | 1, 2 |

# B AUTOMOWER 320 CHASSIS UPPER



| Position | Article      | Quantity | Notes                | Kit    |
|----------|--------------|----------|----------------------|--------|
| 1        | 579 45 83 01 | 1        | COVER                |        |
| 2        | 579 45 85 01 | 1        | HATCH                |        |
| 3        | 579 45 81 01 | 1        | BUTTON               |        |
| 4        | 580 67 30 01 | 1        | TORSION SPRING       |        |
| 5        | 579 45 86 01 | 1        | HINGE                |        |
| 6        | 575 54 33 14 | 2        | SCREW                |        |
| 7        | 579 45 87 01 | 2        | HINGE PIN            |        |
| 8        | 575 54 33 14 | 2        | SCREW                |        |
| 9        | 535 13 01 01 | 2        | SPRING               |        |
| 10       | 579 62 79 01 | 1        | KEYBOARD             | 11     |
| 11       | 581 62 06 01 | 1        | COVER KIT            |        |
| 12       | 574 45 01 01 | 8        | SCREW ITPANT         |        |
| 13       | 580 52 67 01 | 2        | STUD                 |        |
| 14       | 579 52 57 01 | 2        | WASHER               |        |
| 15       | 579 52 59 01 | 2        | RING FASTENER        |        |
| 16       | 577 52 58 01 | 2        | RUBBER GAITERS       |        |
| 17       | 579 24 88 01 | 2        | COLUMN, kit          |        |
| 18       | 503 22 66 01 | 2        | SQUARE NUT           | 17     |
| 19       | 535 14 32 01 | 2        | DEFLECTION LIMITER   |        |
| 20       | 574 48 03 01 | 1        | SWITCH               |        |
| 21       | 574 87 47 06 | 1        | SEALING STRIP        | 11     |
| 21       | 581 90 32 02 | 1        | SEALING STRIP 10 PCS |        |
| 22       | 579 45 88 01 | 2        | LOCKING PLATE        |        |
| 23       | 579 45 84 01 | 1        | GEAR WHEEL           |        |
| 24       | 576 24 22 01 | 2        | SPRING               |        |
| 25       | 579 50 50 01 | 1        | BRACKET              |        |
| 26       | 575 54 33 14 | 2        | SCREW                |        |
| 27       | 579 50 50 02 | 1        | BRACKET              |        |
| 28       | 575 54 33 14 | 2        | SCREW                |        |
| 29       | 581 62 07 01 | 1        | SUPPORT KIT          |        |
| 30       | 580 35 45 01 | 2        | CLIP                 | 29     |
| 31       | 575 54 33 14 | 3        | SCREW                |        |
| 32       | 580 35 23 01 | 2        | DAMPER               | 29     |
| 33       | 578 12 71 01 | 1        | PRINTED CIRCUIT ASSY |        |
| 34       | 577 75 37 01 | 1        | AIR KIT (10 pcs)     | 35     |
| 35       | 581 62 08 01 | 1        | CHASSIS KIT          |        |
| 36       | 574 87 47 05 | 1        | SEALING STRIP        | 35     |
| 36       | 581 90 32 01 | 1        | SEALING STRIP 10 PCS |        |
| 37       | 574 45 01 01 | 6        | SCREW ITPANT         |        |
| 38       | 580 68 29 01 | 2        | HOLDER               |        |
| 39       | 579 66 91 01 | 1        | PRINTED CIRCUIT ASSY |        |
| 40       | 575 54 33 14 | 4        | SCREW                |        |
| 41       | 581 66 09 01 | 1        | LOOM KIT             |        |
| 43       | 581 62 11 01 | 1        | LOOM KIT             |        |
| 44       | 900 23 87 08 | 2        | TIE WRAP             | 43     |
| 45       | 579 70 62 01 | 1        | LOOM                 |        |
| 46       | 575 54 33 14 | 6        | SCREW                | 57     |
| 47       | 579 48 47 01 | 2        | SEAT                 | 57     |
| 48       | 900 23 87 08 | 2        | TIE WRAP             | 57     |
| 49       | 579 48 46 01 | 2        | JOYSTICK             | 57     |
| 50       | 720 12 77 06 | 2        | PARALLEL PIN         | 57     |
| 51       | 503 22 66 01 | 2        | SQUARE NUT           | 51, 57 |
| 52       | 579 66 90 01 | 2        | PRINTED CIRCUIT ASSY |        |
| 53       | 583 94 33 01 | 2        | ROD KIT              | 57     |
| 54       | 580 67 25 01 | 2        | SPRING               | 57     |
| 55       | 579 48 48 01 | 2        | RETAINER             | 57     |
| 56       | 579 47 46 01 | 2        | BELLOWS              |        |
| 57       | 581 62 09 01 | 2        | JOYSTICK KIT         |        |
| 58       | 579 52 57 01 | 2        | WASHER               |        |
| 59       | 580 52 67 01 | 2        | STUD                 |        |
| 60       | 574 45 01 01 | 14       | SCREW ITPANT         |        |
| 61       | 579 66 91 01 | 1        | PRINTED CIRCUIT ASSY |        |
| 62       | 579 70 63 01 | 1        | BUZZER               |        |
| 63       | 575 54 33 14 | 2        | SCREW                |        |

# C AUTOMOWER 320 CHASSIS LOWER



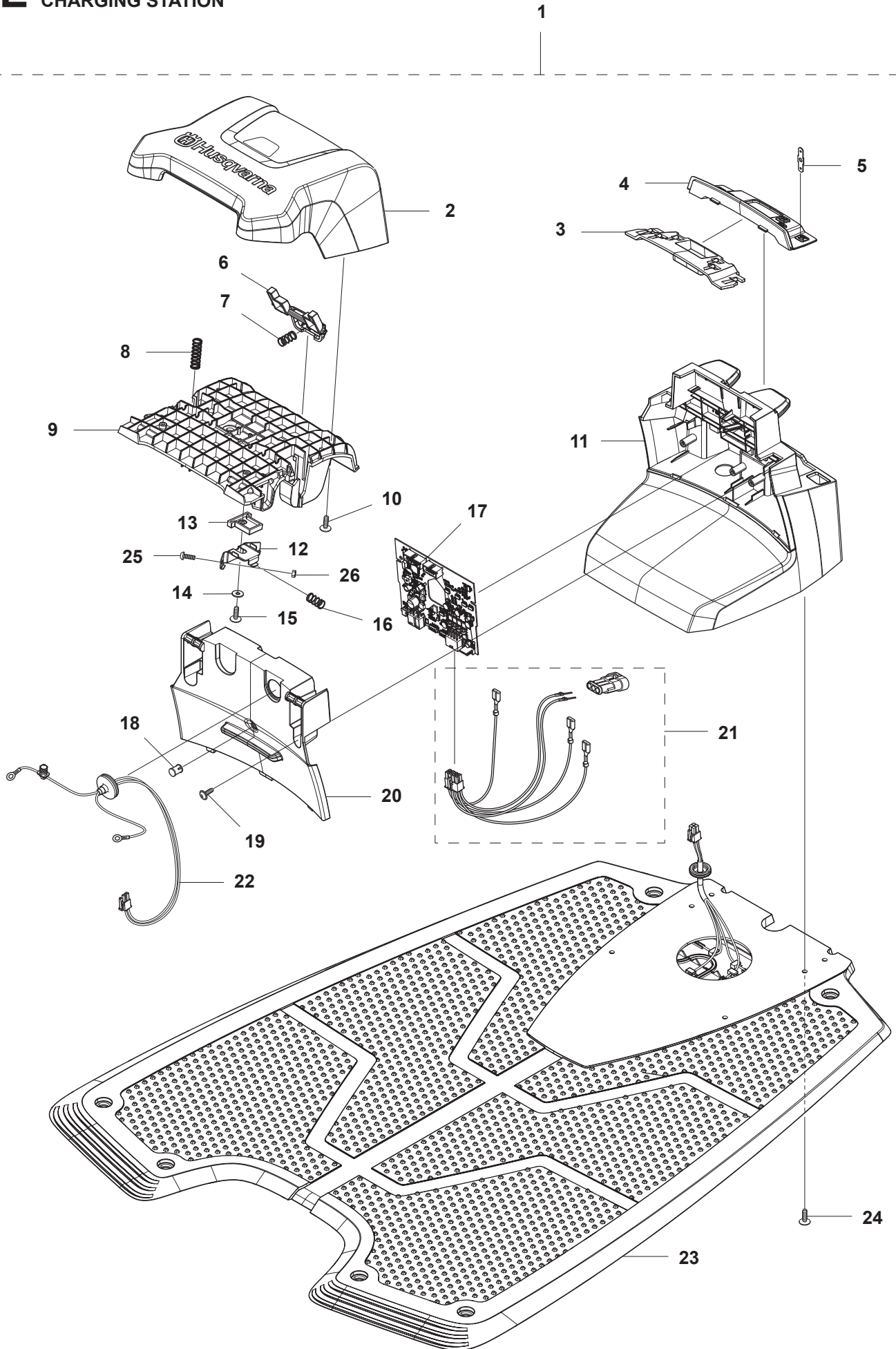
| Position | Article      | Quantity | Notes                | Kit |
|----------|--------------|----------|----------------------|-----|
| 1        | 580 68 33 01 | 1        | BATTERY              |     |
| 2        | 575 54 33 14 | 2        | SCREW                |     |
| 3        | 579 52 94 01 | 2        | CLAMP                |     |
| 4        | 579 70 82 01 | 1        | LOOM                 |     |
| 5        | 579 66 02 01 | 1        | PRINTED CIRCUIT ASSY |     |
| 6        | 580 37 07 01 | 1        | LOOM                 |     |
| 7        | 579 70 87-01 | 1        | SWITCH, On Off       |     |
| 8        | 580 60 96 01 | 1        | HOLDER               |     |
| 9        | 574 45 01 01 | 5        | SCREW ITXPANT        |     |
| 10       | 580 68 29 01 | 7        | HOLDER               |     |
| 11       | 575 54 33 14 | 2        | SCREW                |     |
| 12       | 579 52 94 01 | 2        | CLAMP                |     |
| 13       | 578 42 54 01 | 1        | PRINTED CIRCUIT ASSY |     |
| 14       | 575 54 33 14 | 1        | SCREW                |     |
| 15       | 579 52 94 01 | 1        | CLAMP                |     |
| 16       | 579 72 85 01 | 1        | PRINTED CIRCUIT ASSY |     |
| 17       | 575 54 33 14 | 2        | SCREW                |     |
| 18       | 581 55 61 01 | 2        | SPRING               |     |
| 19       | 574 87 47 05 | 1        | SEALING STRIP        |     |
| 19       | 581 90 32 01 | 1        | SEALING STRIP 10 PCS |     |
| 20       | 581 62 17 01 | 1        | CHASSIS KIT          |     |
| 21       | 576 01 93 01 | 2        | LOCK WASHER          | 60  |
| 22       | 580 76 46 01 | 2        | WASHER               | 60  |
| 23       | 580 60 51 01 | 2        | BALL BEARING         | 60  |
| 24       | 580 60 51 01 | 2        | BALL BEARING         | 60  |
| 25       | 535 08 78 03 | 2        | WASHER               | 60  |
| 26       | 580 76 46 01 | 2        | WASHER               | 60  |
| 27       | 581 62 15 01 | 2        | SHEILD KIT           | 60  |
| 28       | 580 48 71 01 | 2        | SEALING              | 60  |
| 29       | 580 60 51 01 | 2        | BALL BEARING         | 60  |
| 30       | 579 45 71 01 | 2        | WHEEL                | 60  |
| 31       | 574 44 98 01 | 2        | WHEEL                | 60  |
| 32       | 580 44 51 01 | 2        | O-RING               | 60  |
| 33       | 580 60 51 01 | 2        | BALL BEARING         | 60  |
| 34       | 580 76 46 01 | 2        | WASHER               | 60  |
| 35       | 576 01 93 01 | 2        | LOCK WASHER          | 60  |
| 36       | 579 45 72 01 | 2        | WHEEL                | 60  |
| 37       | 575 54 33 14 | 6        | SCREW                | 60  |
| 38       | 580 33 61 01 | 2        | SPINDLE              | 60  |
| 39       | 579 50 55 01 | 2        | HUB CAP              |     |
| 40       | 731 43 24 01 | 2        | HEXAGON THIN NUT     |     |
| 41       | 580 41 21 01 | 2        | SPRING WASHER        |     |
| 42       | 579 50 60 01 | 2        | REAR WHEEL           |     |
| 43       | 579 50 56 01 | 2        | COVER                |     |
| 44       | 575 54 33 14 | 6        | SCREW                |     |
| 45       | 581 62 13 01 | 2        | MOTOR KIT            |     |
| 46       | 580 44 39 01 | 2        | O-RING               | 45  |
| 47       | 574 45 01 01 | 8        | SCREW ITXPANT        |     |
| 48       | 581 62 12 01 | 1        | PLUG KIT             |     |
| 49       | 575 54 33 14 | 1        | SCREW                |     |
| 50       | 581 62 16 01 | 1        | SCREW KIT            |     |
| 51       | 581 62 18 01 | 1        | BEARING KIT          |     |
| 52       | 579 56 47 01 | 1        | GEAR                 |     |
| 53       | 510 01 87 03 | 3        | SCREW                |     |
| 54       | 579 56 51 01 | 1        | HOUSING              |     |
| 55       | 575 54 33 14 | 4        | SCREW                |     |
| 56       | 580 34 21 01 | 1        | MOTOR                |     |
| 57       | 510 72 29 01 | 2        | SCREW ITXPANT        |     |
| 58       | 579 70 80 01 | 1        | LOOM                 |     |
| 59       | 734 11 37 41 | 1        | WASHER               |     |
| 60       | 581 62 14 01 | 2        | WHEEL ASSY           |     |





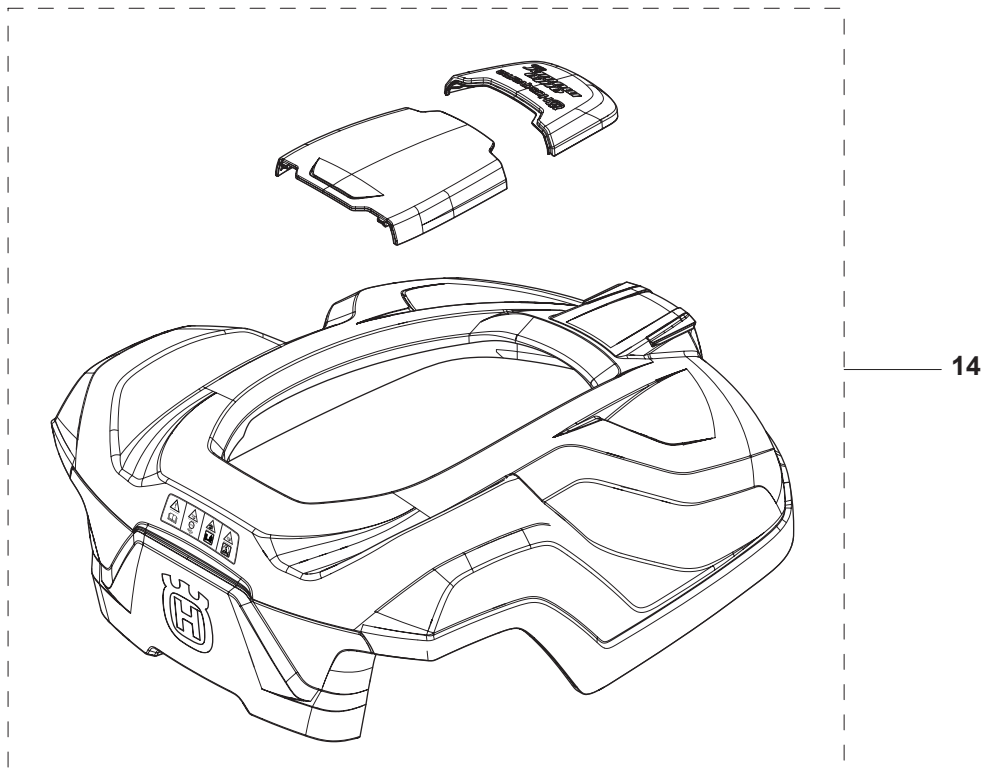
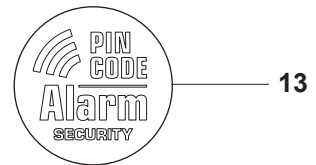
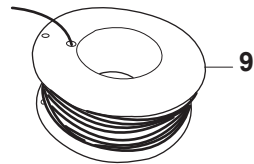
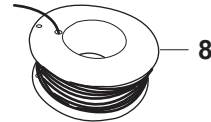
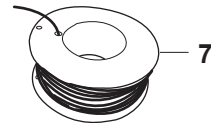
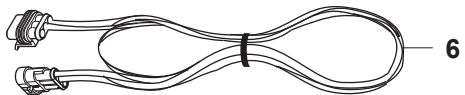
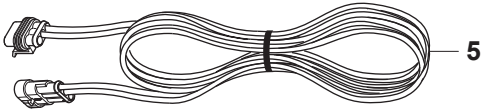
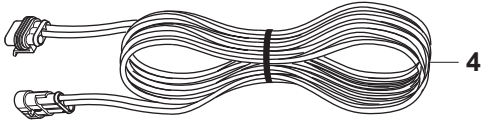
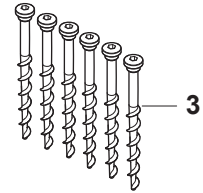
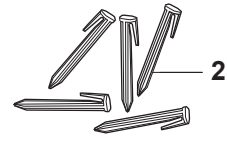
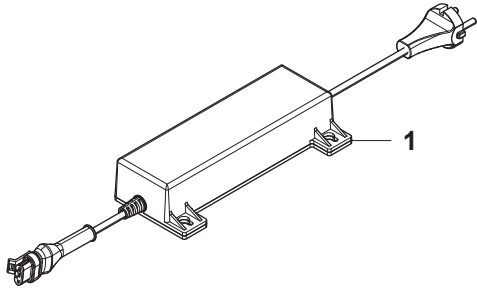
| Position | Article      | Quantity | Notes        | Kit |
|----------|--------------|----------|--------------|-----|
| 1        | 580 62 44 01 | 1        | SPRING       |     |
| 2        | 579 56 46 01 | 1        | LINK         |     |
| 3        | 575 54 33 14 | 3        | SCREW        |     |
| 4        | 581 62 18 01 | 1        | BEARING KIT  |     |
| 5        | 579 56 45 01 | 1        | HOUSING      |     |
| 6        | 580 75 41 01 | 1        | TIE WRAP     | 7   |
| 7        | 581 62 21 01 | 1        | BELLOWS KIT  |     |
| 8        | 580 23 48 01 | 1        | MOTOR ASSY   |     |
| 9        | 575 54 33 14 | 4        | SCREW        |     |
| 10       | 580 79 30 01 | 1        | CUTTING DISC |     |
| 11       | 535 13 05 01 | 3        | SCREW        |     |
| 12       | 535 12 64 01 | 1        | BEARING BOX  |     |
| 13       | 535 07 57 02 | 2        | BALL BEARING |     |
| 14       | 535 07 60 01 | 1        | SCREW        |     |
| 15       | 581 62 19 01 | 1        | PLATE KIT    |     |
| 16       | 535 08 25 01 | 1        | GASKET       | 15  |
| 17       | 535 08 15 01 | 1        | COVER WASHER |     |
| 18       | 575 54 33 10 | 4        | SCREW        |     |

# E AUTOMOWER 320 CHARGING STATION



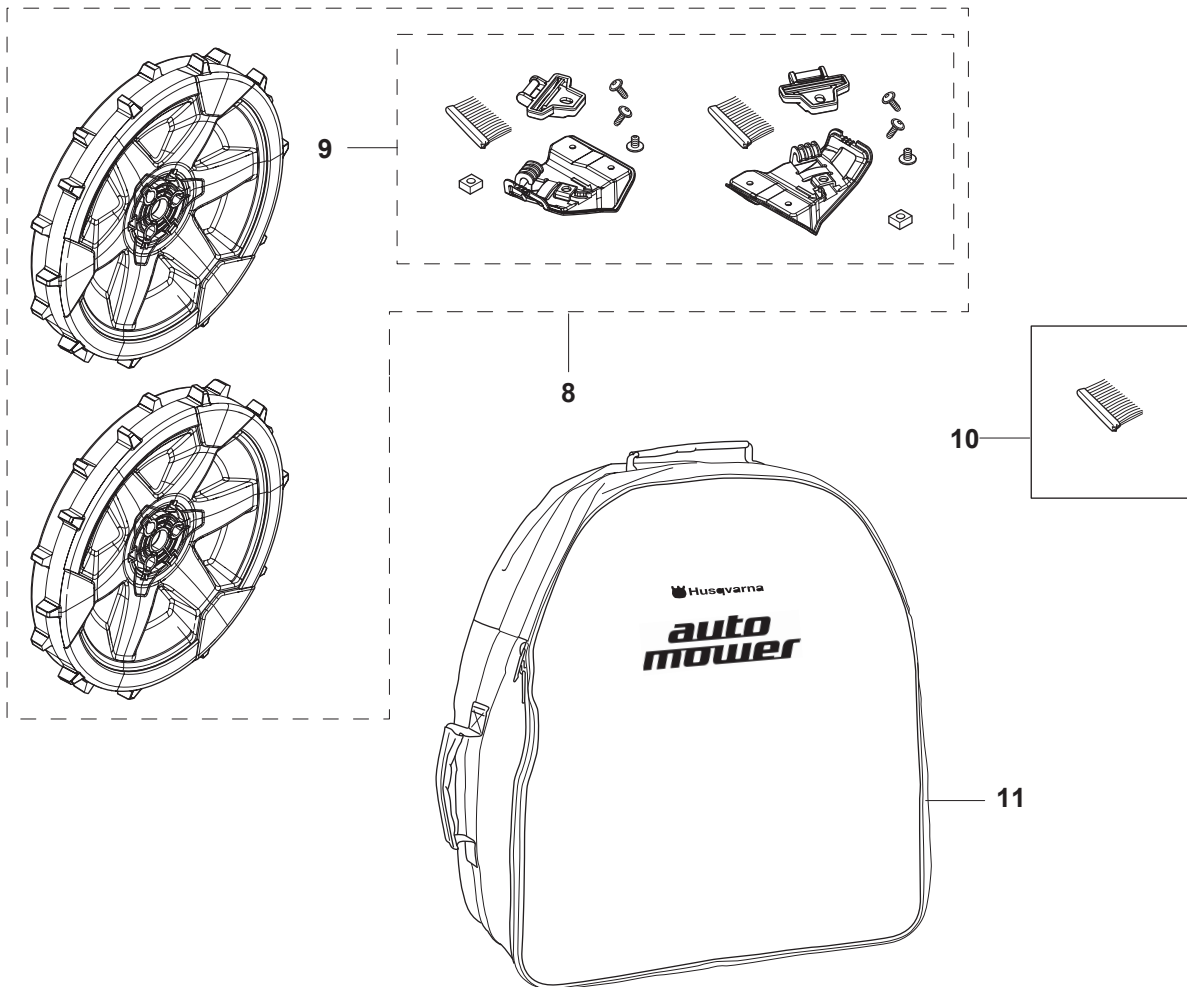
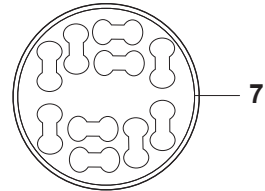
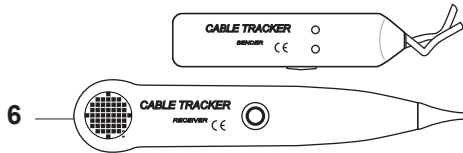
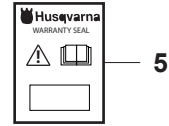
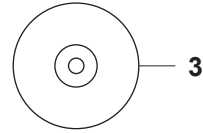
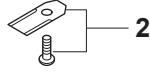
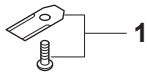
| Position | Article      | Quantity | Notes                | Kit |
|----------|--------------|----------|----------------------|-----|
| 1        | 580 76 55 01 | 1        | CHARGING STATION     |     |
| 2        | 579 44 82 02 | 1        | CAP                  | 1   |
| 3        | 579 45 99 01 | 1        | HOLDER               | 1   |
| 4        | 579 45 98 01 | 1        | PANEL                | 1   |
| 5        | 580 50 41 01 | 3        | TERMINAL             | 1   |
| 6        | 579 46 24 01 | 1        | BUTTON               | 1   |
| 7        | 574 48 70 01 | 1        | SPRING               | 1   |
| 8        | 580 51 14 01 | 2        | SPRING               | 1   |
| 9        | 579 45 80 01 | 1        | FRAME                | 1   |
| 10       | 575 54 33 14 | 4        | SCREW                | 1   |
| 11       | 579 46 23 01 | 1        | HOUSING              | 1   |
| 12       | 579 54 30 01 | 2        | CHARGING PLATE       | 1   |
| 13       | 579 46 05 01 | 2        | DISTANCE             | 1   |
| 14       | 734 11 37 41 | 2        | WASHER               | 1   |
| 15       | 575 54 33 14 | 2        | SCREW                | 1   |
| 16       | 580 51 14 01 | 2        | SPRING               | 1   |
| 17       | 579 73 01 01 | 1        | PRINTED CIRCUIT ASSY | 1   |
| 18       | 535 12 87 02 | 1        | DIODE LENS           | 1   |
| 19       | 575 54 33 14 | 2        | SCREW                | 1   |
| 20       | 579 45 97 02 | 1        | LID                  | 1   |
| 21       | 581 62 23 01 | 1        | LOOM KIT             | 1   |
| 22       | 579 70 85 01 | 1        | LOOM                 | 1   |
| 23       | 575 23 16 01 | 1        | CHARGING PLATE       | 1   |
| 24       | 575 54 33 14 | 4        | SCREW                | 1   |
| 25       | 576 21 38 01 | 2        | SCREW ITXPANM        | 1   |
| 26       | 732 25 12 01 | 2        | HEXAGON LOCKING NUT  | 1   |

# F AUTOMOWER 320 ACCESSORIES



| Position | Article      | Quantity | Notes                                   | Kit |
|----------|--------------|----------|---|-----|
| 1        | 580 38 07-01 | 1        | TRANSFORMER (EU)                        |     |
| 1        | 580 38 07-02 | 1        | TRANSFORMER (UK/IRL)                    |     |
| 1        | 580 38 07-03 | 1        | TRANSFORMER (CH)                        |     |
| 1        | 580 38 07-04 | 1        | TRANSFORMER (US/MX)                     |     |
| 1        | 580 38 07-05 | 1        | TRANSFORMER (AU/NZ)                     |     |
| 2        | 504 04 97-01 | 1        | STAPLE, 100pcs                          |     |
| 2        | 577 86 42-01 | 1        | STAPLE, Blister pack, 100pcs            |     |
| 3        | 575 23 86-01 | 1        | SCREW KIT, 6pcs                         |     |
| 3        | 577 86 49-01 | 1        | SCREW KIT, Blister Pack, 3pcs           |     |
| 4        | 580 43 38-01 | 1        | WIRING (20m)                            |     |
| 5        | 580 43 38-02 | 1        | WIRING (10m)                            |     |
| 6        | 580 43 38-03 | 1        | WIRING (3m)                             |     |
| 7        | 501 98 03-02 | 1        | WIRE (150m)                             |     |
| 7        | 577 86 43-01 | 1        | WIRE, Blister pack, (150m)              |     |
| 8        | 501 98 03-01 | 1        | WIRE (250m)                             |     |
| 9        | 522 91 41-01 | 1        | WIRE (500m, Ø3.4 mm)                    |     |
| 10       | 535 12 90-01 | 1        | Loop Wire Connector                     |     |
| 10       | 577 86 48-01 | 1        | Loop Wire Connector, Blister Pack, 5pcs |     |
| 11       | 501 98 02-01 | 1        | COUPLER                                 |     |
| 11       | 577 86 47-01 | 2        | COUPLER, Blister pack, 5pcs             |     |
| 11       | 501 98 02-02 | 1        | COUPLER, 50pcs                          |     |
| 12       | 544 17 75-01 | 1        | MEASURING TAPE                          |     |
| 13       | 579 57 12-01 | 1        | LABEL                                   |     |
| 14       | 580 96 56-01 | 1        | BODY KIT White                          |     |

# G AUTOMOWER 320 ACCESSORIES



| Position | Article      | Quantity | Notes  | Kit |
|----------|--------------|----------|--|-----|
| 1        | 535 13 87-02 | 1        | BLADE, Carbon steel, 9pcs                      |     |
| 1        | 577 86 44-01 | 1        | BLADE, Carbon steel, Blister Pack, 9pcs        |     |
| 1        | 535 13 88-02 | 1        | BLADE, Carbon steel, 30pcs                     |     |
| 1        | 505 12 78-02 | 1        | BLADE, Carbon steel, 500pcs                    |     |
| 2        | 577 60 64-02 | 1        | BLADE, Carbon steel, Thick, 9pcs               |     |
| 2        | 577 86 46-01 | 1        | BLADE, Carbon steel, Thick, Blister Pack, 9pcs |     |
| 2        | 577 60 65-02 | 1        | BLADE, Carbon steel, Thick, 30pcs              |     |
| 2        | 577 60 66-02 | 1        | BLADE, Carbon steel, Thick, 300pcs             |     |
| 3        | 577 85 81-02 | 1        | Autocheck EXP DVD                              |     |
| 4        | 577 51 81-01 | 1        | Service cable (USB)                            |     |
| 5        | 580 68 95-02 | 1        | Warranty Seal 1pcs                             |     |
| 5        | 584 90 22-01 | 1        | Warranty Seal 10pcs                            |     |
| 6        | 577 60 68-01 | 1        | Interruption detector                          |     |
| 7        | 581 84 28-01 | 1        | STICKER, Cable markers                         |     |
| 8        | 581 88 97-01 | 1        | REAR WHEEL, Kit Incl. Brush kit                |     |
| 9        | 581 90 31-01 | 1        | BRUSH KIT, Incl Brush, 6pcs                    |     |
| 10       | 581 98 20-01 | 1        | BRUSH, 6pcs                                    |     |
| 11       | 522 91 67-01 | 1        | BAG  |     |