

AUTOMOWER[®] 260 ACX

2009

Spare parts

Ersatzteile

Pièces détachées

Reserve onderdelen

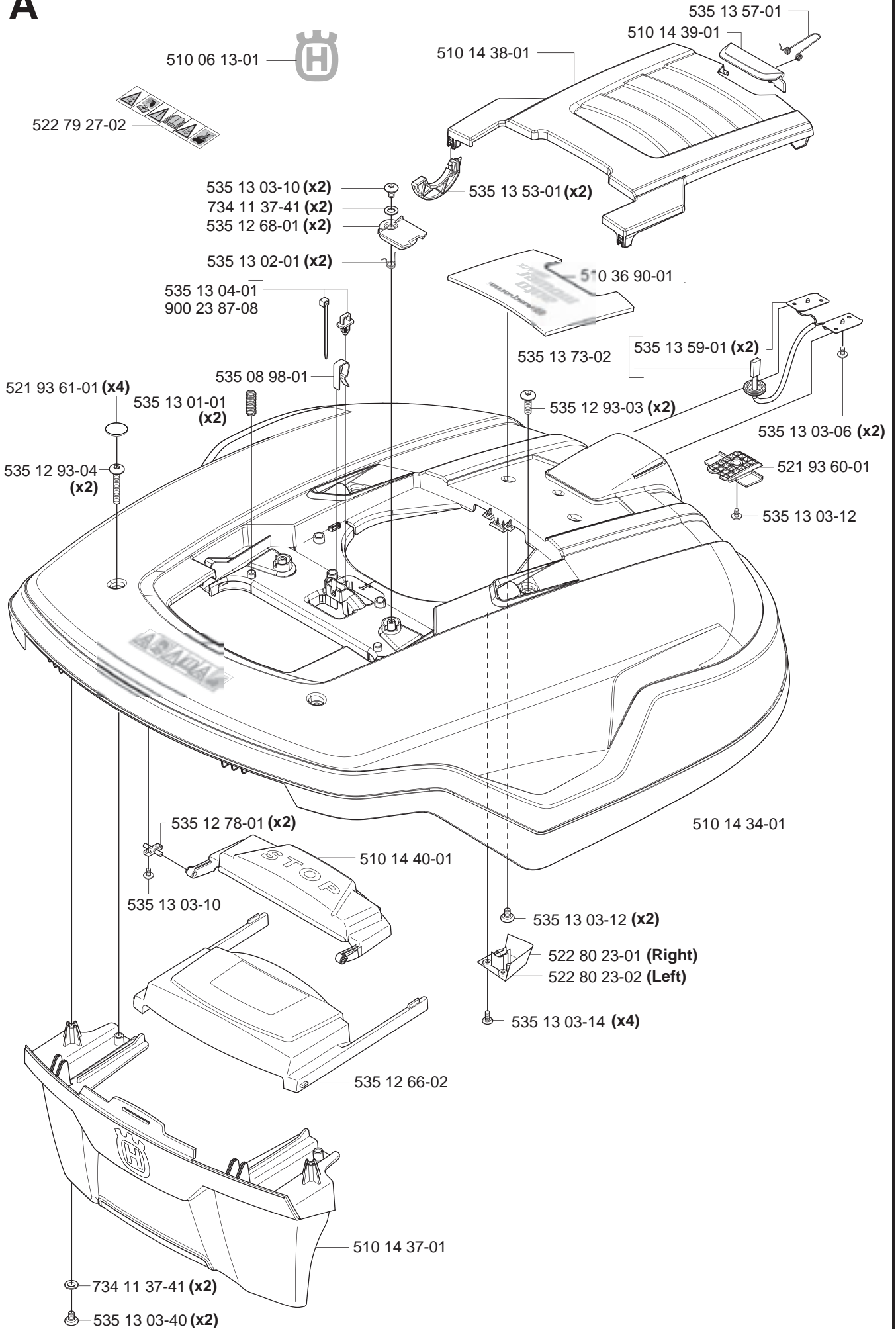
Repuestos

Reservdelar

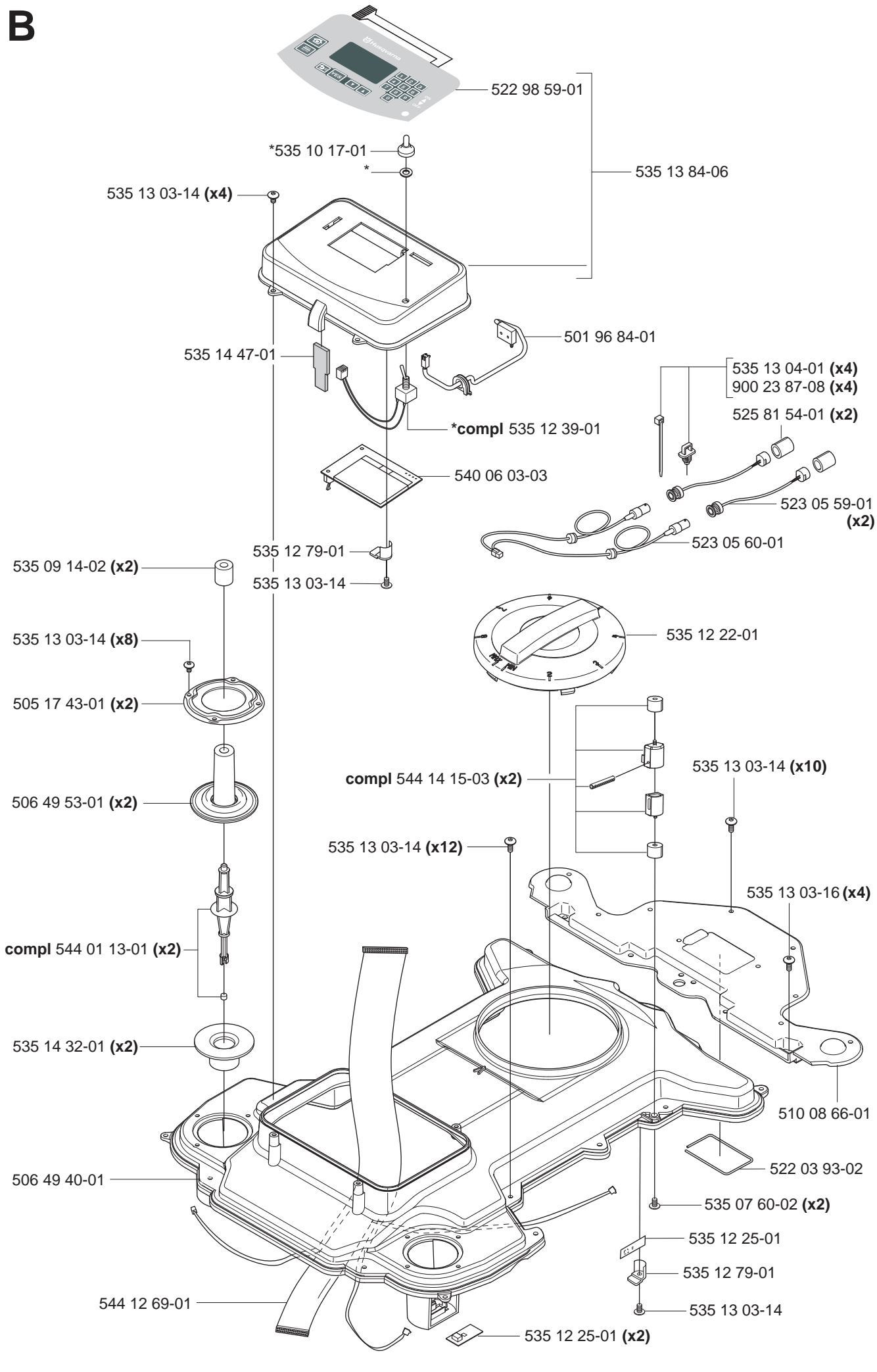
PART NUMBER	SQUARE	NOTE	PART NUMBER	SQUARE	NOTE	PART NUMBER	SQUARE	NOTE
115 13 08-XX	I		522 51 06-01	D		535 12 93-04	A	
115 13 09-XX	I		522 51 64-01	H		535 13 01-01	A	
501 00 18-01	H		522 59 71-01	C		535 13 02-01	A	
501 00 37-04	C		522 59 72-01	C		535 13 03-06	A	
501 00 42-01	C		522 59 73-01	C		535 13 03-10	ACDE	
501 96 84-01	B		522 77 14-01	D		535 13 03-12	AC	
501 98 02-01	G		522 78 24-01	G		535 13 03-14	ABCD	
501 98 02-02	G		522 78 24-02	G		535 13 03-16	BC	
501 98 03-01	G		522 78 24-03	G		535 13 03-40	A	
501 98 03-02	G		522 79 27-02	A		535 13 04-01	AB	
502 23 91-01	D		522 80 23-01	A		535 13 05-01	D	
502 85 96-01	C		522 80 23-02	A		535 13 16-01	G	
504 02 14-01	C		522 85 16-02	H		535 13 23-02	H	
504 02 16-01	C		522 85 17-02	H		535 13 53-01	A	
504 04 97-01	G		522 85 18-02	H		535 13 57-01	A	
504 05 37-02	E		522 91 41-01	G		535 13 59-01	A	
504 20 08-01	C		522 91 66-01	H		535 13 73-02	A	
505 12 78-01	H		522 98 59-01	B		535 13 79-03	E	
505 12 78-02	H		523 05 59-01	B		535 13 80-01	C	
505 17 43-01	B		523 05 60-01	B		535 13 84-06	B	
505 19 35-01	C		525 25 14-01	D		535 13 87-01	H	
505 34 77-02	E		525 63 70-01	G		535 13 87-02	H	
505 69 99-91	H		525 81 54-01	B		535 13 88-01	H	
506 49 40-01	B		529 28 08-01	G		535 13 88-02	H	
506 49 43-03	C		535 07 57-02	D		535 13 92-02	C	
506 49 53-01	B		535 07 60-01	D		535 13 94-01	C	
510 05 86-01	D		535 07 60-02	B		535 13 96-01	C	
510 06 13-01	A		535 08 76-01	C		535 14 00-02	E	
510 06 62-01	D		535 08 78-03	C		535 14 12-01	H	
510 08 66-01	B		535 08 89-01	G		535 14 12-02	H	
510 08 67-01	C		535 08 98-01	A		535 14 27-07	H	
510 14 34-01	A		535 09 14-02	B		535 14 32-01	B	
510 14 37-01	A		535 10 17-01	B		535 14 47-01	B	
510 14 38-01	A		535 12 21-02	C		540 05 96-02	C	
510 14 39-01	A		535 12 22-01	B		540 06 03-03	B	
510 14 40-01	A		535 12 23-01	D		544 01 13-01	B	
510 14 41-01	D		535 12 24-01	C		544 12 69-01	B	
510 14 42-01	D		535 12 25-01	B		544 14 15-03	B	N
510 14 43-01	D		535 12 31-02	C		544 41 00-02	C	
510 14 46-01	C		535 12 39-01	B		544 45 41-03	E	
510 20 99-01	H		535 12 43-03	E		544 90 51-02	C	
510 36 81-01	C		535 12 44-01	E		544 90 58-02	C	
510 36 90-01	A		535 12 47-02	E		544 90 68-02	C	
514 91 64-00	C		535 12 50-01	E		544 90 70-01	C	
514 96 79-00	A		535 12 52-01	C		544 98 38-05	E	
521 93 20-01	D		535 12 66-02	A		574 28 96-01	D	
521 93 21-01	D		535 12 68-01	A		574 30 03-01	C	
521 93 29-01	D		535 12 73-06	G		574 30 06-01	C	
521 93 31-02	C		535 12 78-01	A		574 30 14-01	F	
521 93 60-01	A		535 12 79-01	B		574 30 14-02	F	
521 93 61-01	A		535 12 85-01	E		574 30 14-03	F	
521 93 65-01	C		535 12 86-01	E		728 82 85-01	D	
522 03 93-01	C		535 12 87-02	E		734 11 37-41	AC	
522 03 93-02	B		535 12 90-01	G		900 23 87-08	AB	
522 42 58-01	H		535 12 93-03	A				

N = New part, Neues teil, Nouvelle piece, Nueva pieza, Ny detalj

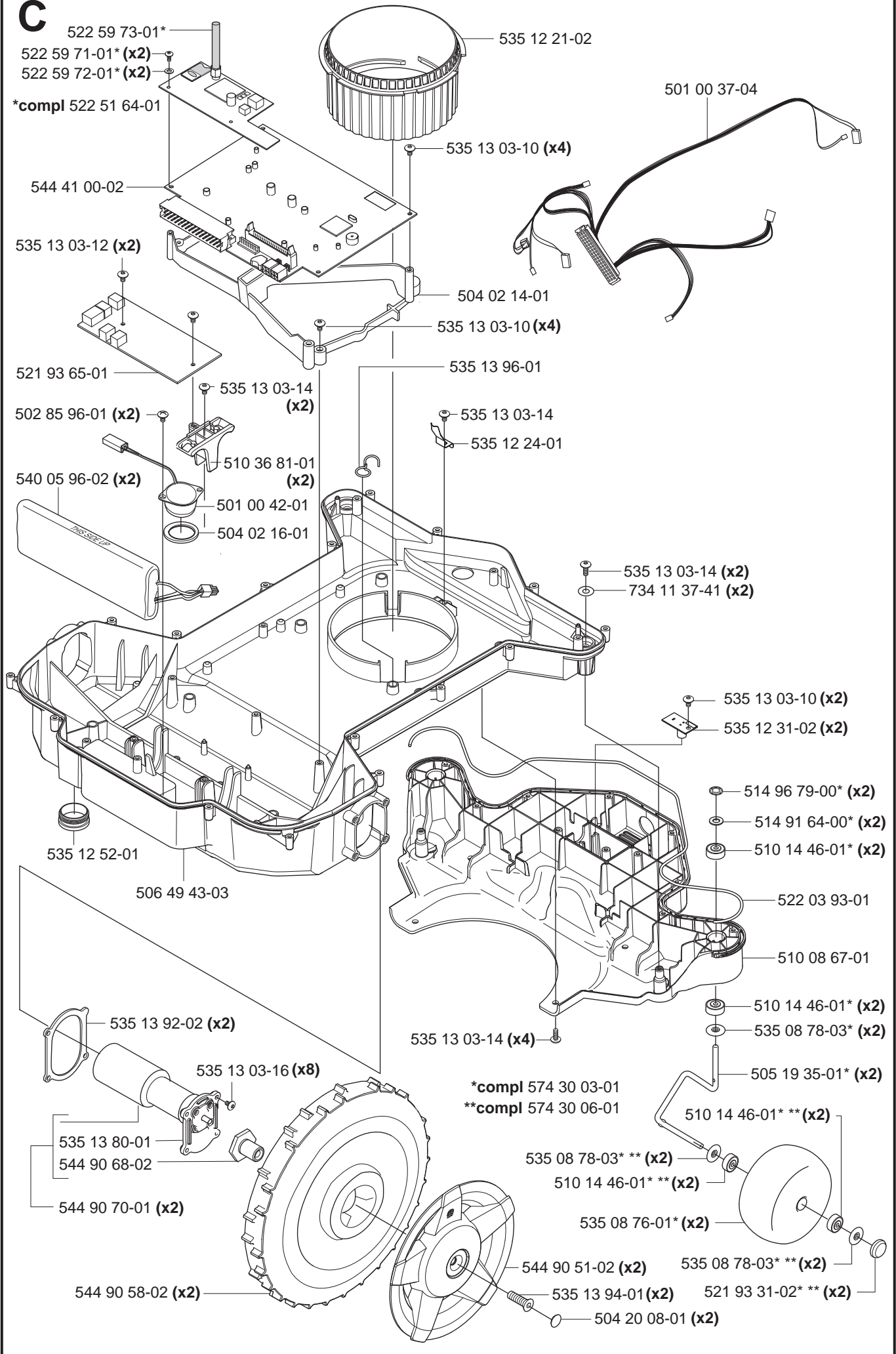
A



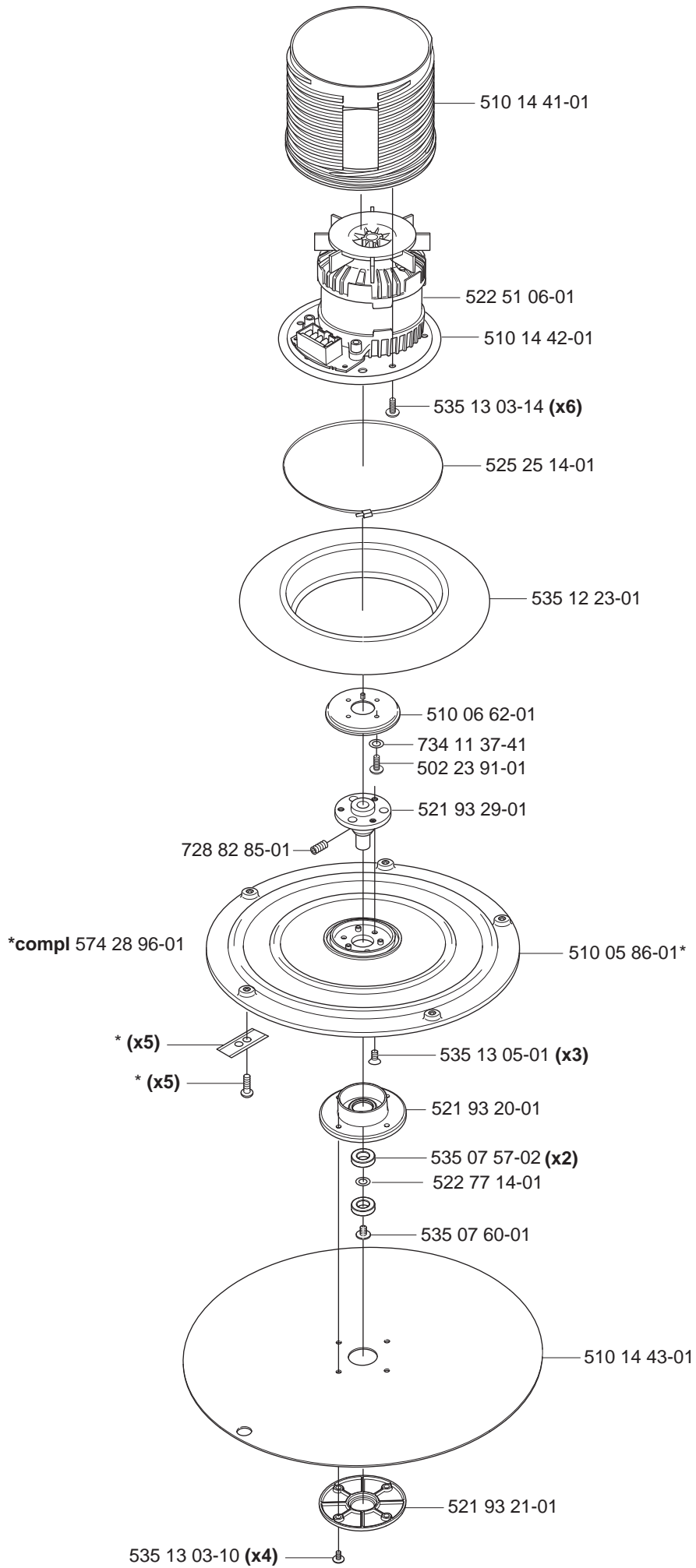
B

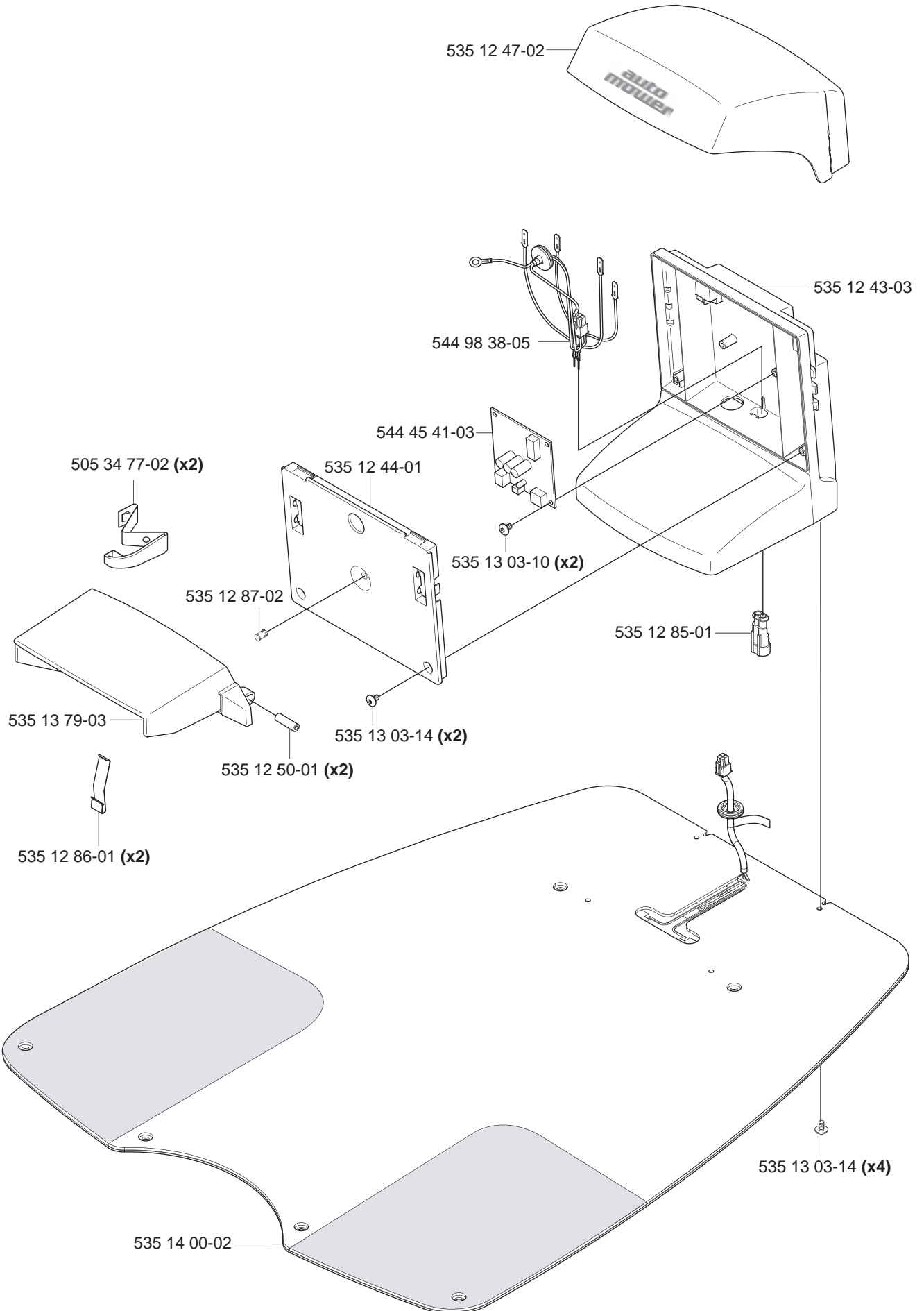


C

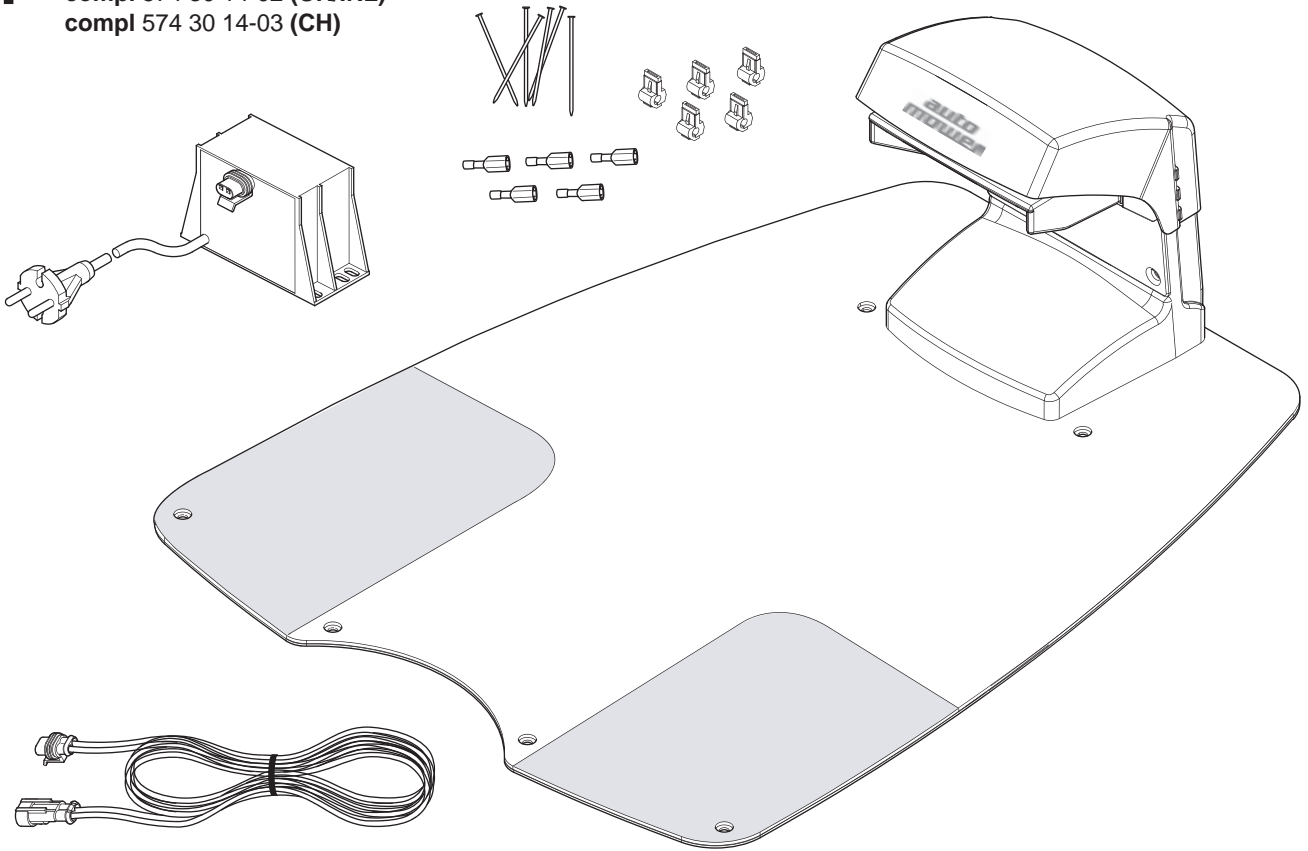


D

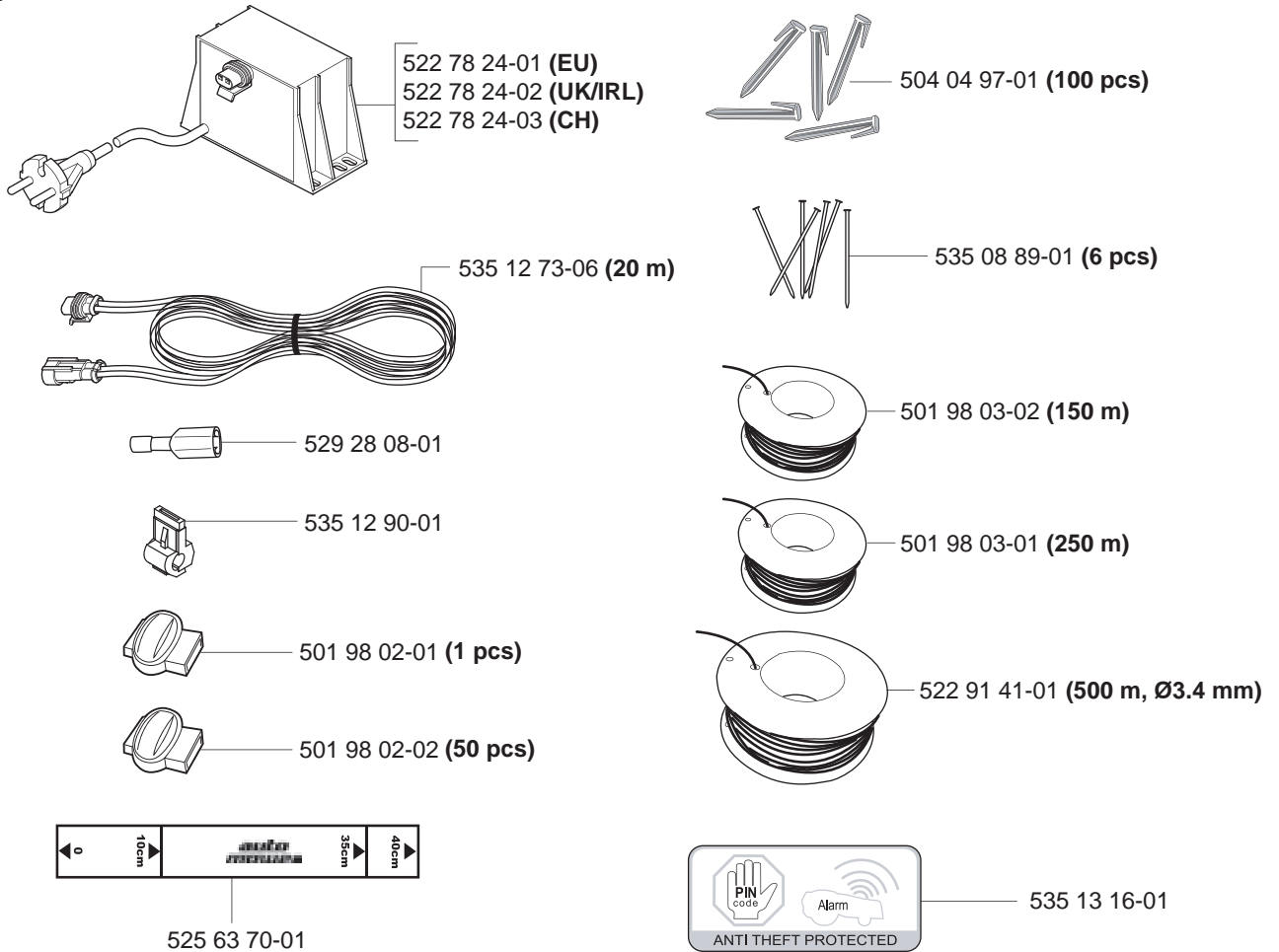




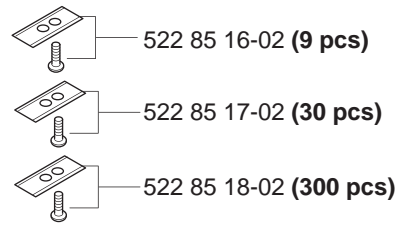
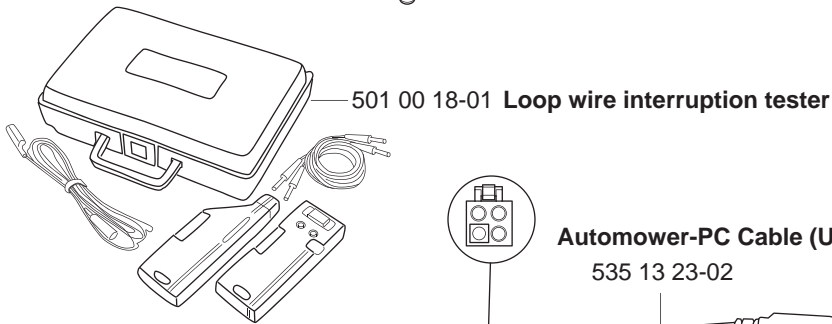
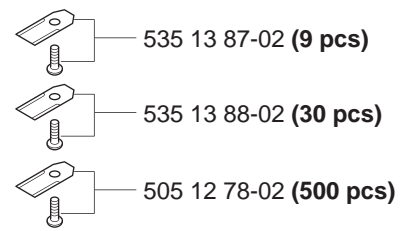
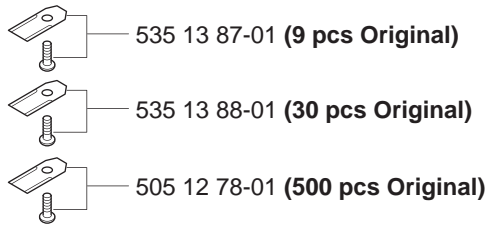
F compl 574 30 14-01 (EU)
 compl 574 30 14-02 (UK/IRL)
 compl 574 30 14-03 (CH)



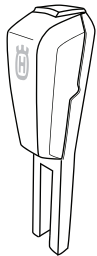
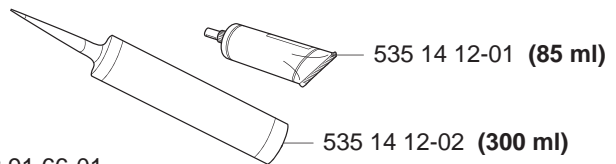
G



H Accessories
Zubehöre
Accessoires
Acessorios
Tillbehör



535 14 27-07 CD Autocheck 2009



522 42 58-01
Signal booster



522 91 66-01



510 20 99-01 Heavy wheel (400g)

I



Quick Guide 260 ACX 115 13 09-XX
Owner's Manual 260 ACX 115 13 08-XX

- 01 Svenska
- 26 GB English
- 31 Français
- 36 Nederlands
- 41 Italiano
- 46 Español
- 51 Deutsch