

AUTOMOWER[®] 230 ACX

2011

Spare parts

Ersatzteile

Pièces détachées

Reserve onderdelen

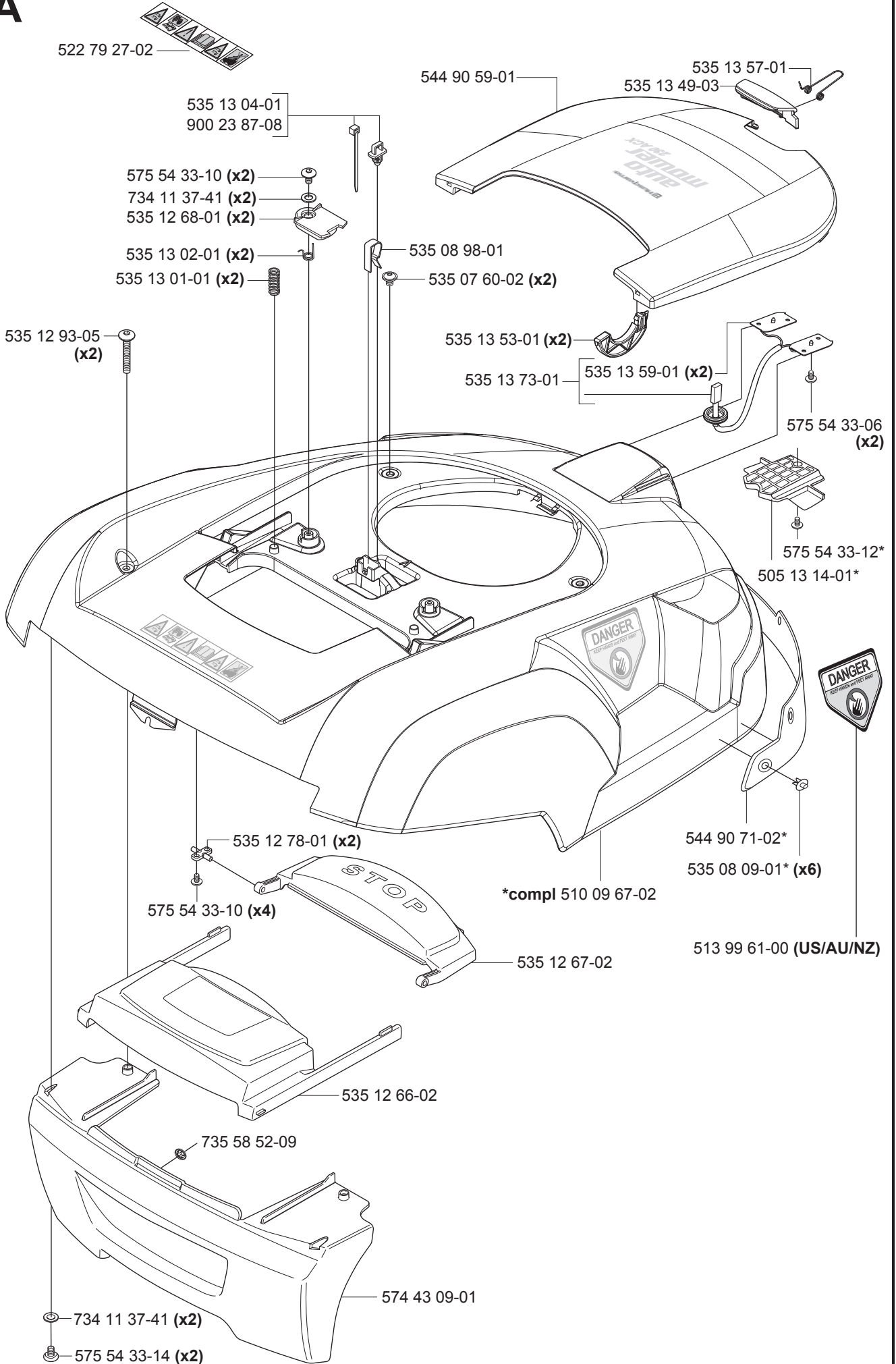
Repuestos

Reservdelar

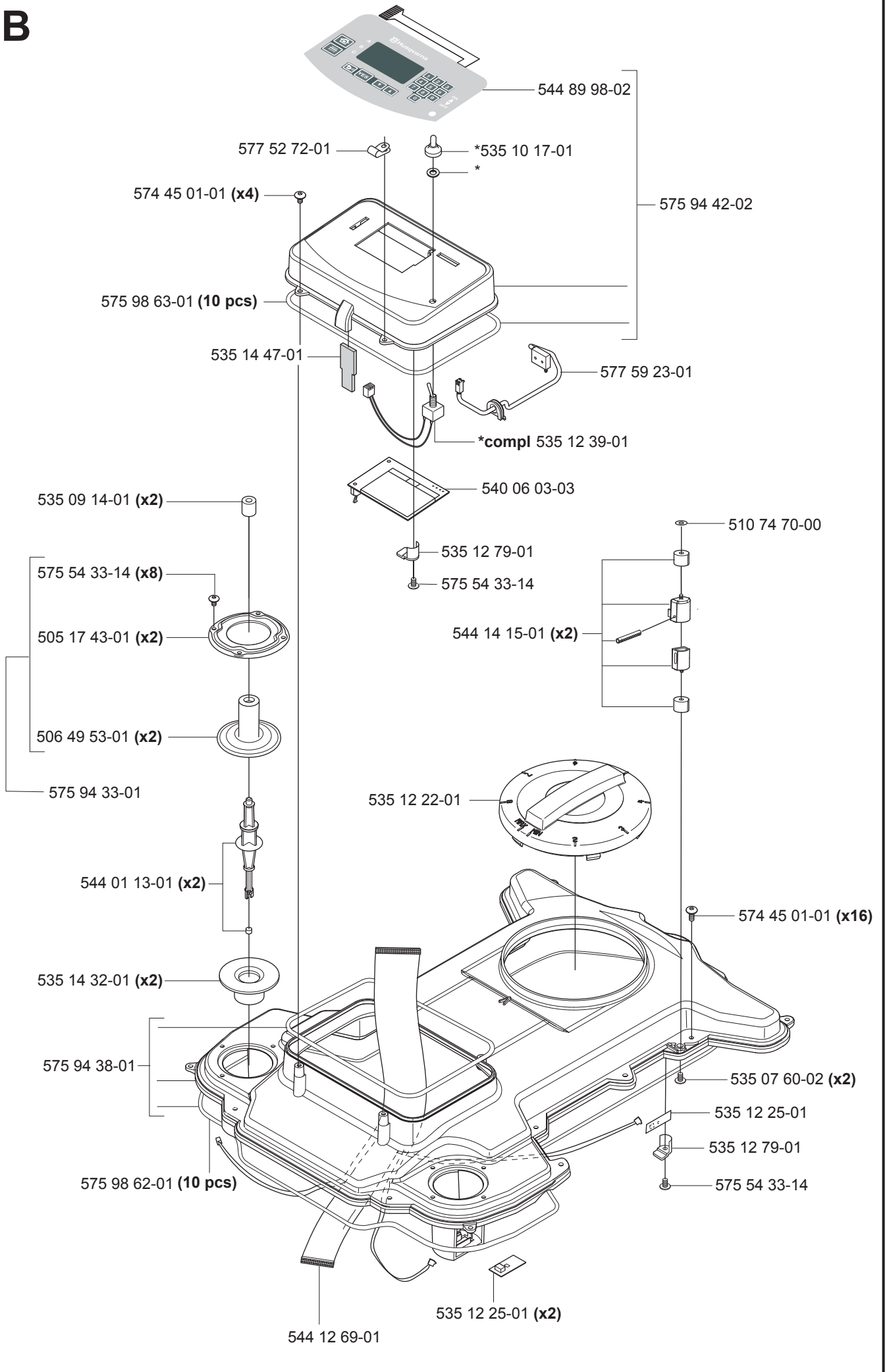
PART NUMBER	SQUARE	NOTE	PART NUMBER	SQUARE	NOTE	PART NUMBER	SQUARE	NOTE
501 00 37-03	C		535 08 78-02	C		544 90 58-02	C	
501 00 42-01	C		535 08 98-01	A		544 90 59-01	A	
501 00 44-01	G		535 09 14-01	B		544 90 68-02	C	
501 00 44-02	G		535 10 17-01	B		544 90 70-02	C	
501 00 44-03	G		535 12 09-01	C		544 90 71-02	A	N
501 00 44-04	G		535 12 21-02	C		544 90 78-01	C	
501 00 44-05	G		535 12 22-01	B		544 98 38-07	E	
501 00 44-06	G		535 12 23-01	D		544 98 38-09	E	N
501 98 02-01	G		535 12 24-01	C		574 42 74-01	C	
501 98 02-02	G		535 12 25-01	B		574 43 09-01	A	
501 98 03-01	G		535 12 31-02	C		574 44 98-01	C	
501 98 03-02	G		535 12 36-01	D		574 45 01-01	B	
502 23 91-01	D		535 12 39-01	B		574 82 75-01	E	
502 24 04-01	C		535 12 44-01	E		574 90 20-02	E	
502 24 05-01	C		535 12 47-02	E		574 90 20-05	E	N
504 02 16-01	C		535 12 50-01	E		575 23 16-01	E	
504 04 97-01	G		535 12 63-01	D		575 23 17-01	C	
504 20 08-01	C		535 12 64-01	D		575 23 17-02	H	N
504 82 13-01	H		535 12 66-02	A		575 23 86-01	G	
504 82 14-01	H		535 12 67-02	A		575 24 24-01	H	N
505 12 32-01	H		535 12 68-01	A		575 50 76-01	C	
505 12 36-01	H		535 12 73-06	G		575 54 33-06	A	
505 12 78-02	H		535 12 78-01	A		575 54 33-10	ACDE	
505 13 14-01	A		535 12 79-01	B		575 54 33-12	A	
505 13 27-01	H		535 12 85-01	E		575 54 33-14	ABCDE	
505 13 28-01	H		535 12 86-01	E		575 54 33-16	C	
505 17 43-01	B		535 12 87-02	E		575 55 08-01	F	
505 18 81-01	H		535 12 90-01	G		575 55 08-02	F	
505 22 94-01	H		535 12 93-05	A	N	575 55 08-03	F	
505 25 07-01	H		535 13 01-01	A		575 55 08-04	F	
506 49 53-01	B		535 13 02-01	A		575 55 08-05	F	
510 05 97-02	E		535 13 03-14	C		575 55 08-06	F	
510 09 67-02	A		535 13 05-01	D		575 94 33-01	B	
510 14 41-01	D		535 13 16-01	G		575 94 38-01	B	
510 74 70-00	B	N	535 13 23-02	H		575 94 39-01	C	
513 99 61-00	A		535 13 49-03	A		575 94 42-02	B	
521 93 31-01	C		535 13 53-01	A		575 98 62-01	B	
522 42 58-01	H		535 13 57-01	A		575 98 63-01	B	
522 50 48-01	C		535 13 59-01	A		577 52 72-01	B	N
522 50 50-01	C		535 13 73-01	A		577 59 23-01	B	N
522 51 64-01	H		535 13 74-01	E		577 60 64-02	H	N
522 66 45-02	C		535 13 80-01	C		577 60 65-02	H	N
522 73 65-01	H		535 13 85-01	D		577 60 66-02	H	N
522 77 15-01	D		535 13 87-02	H		577 60 68-01	H	N
522 79 27-02	A		535 13 88-02	H		577 85 81-01	H	N
522 85 16-02	H		535 13 92-02	C		578 05 13-01	H	N
522 85 17-02	H		535 13 94-01	C		578 05 13-02	H	N
522 85 18-02	H		535 13 96-01	C		578 05 61-01	C	N
522 91 41-01	G		535 14 32-01	B		578 05 61-02	C	N
522 91 67-01	H		535 14 47-01	B		728 82 85-01	D	
525 25 14-01	D		540 06 03-03	B		734 11 37-41	AC	
535 07 55-01	D		544 01 13-01	B		734 11 52-09	C	
535 07 57-02	D		544 12 69-01	B		735 58 41-09	C	
535 07 59-01	D		544 14 15-01	B		735 58 52-09	A	
535 07 60-01	D		544 17 75-01	G		900 23 87-08	A	
535 07 60-02	AB		544 41 00-04	C	N			
535 08 09-01	A		544 45 41-05	E	N			
535 08 15-01	D		544 89 98-02	B				
535 08 25-01	D		544 90 51-02	C				

N = New part, Neues teil, Nouvelle piece, Nueva pieza, Ny detalj

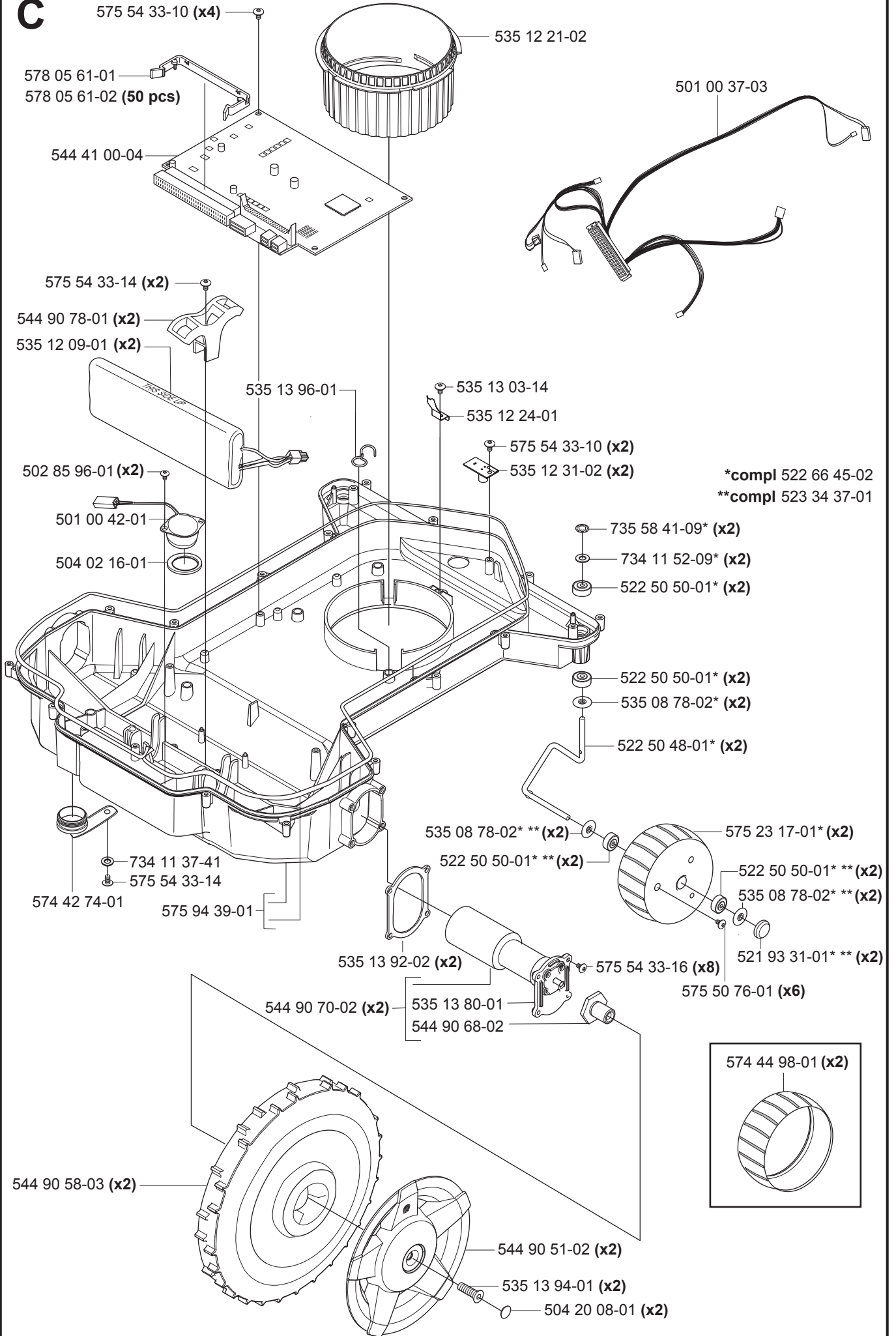
A



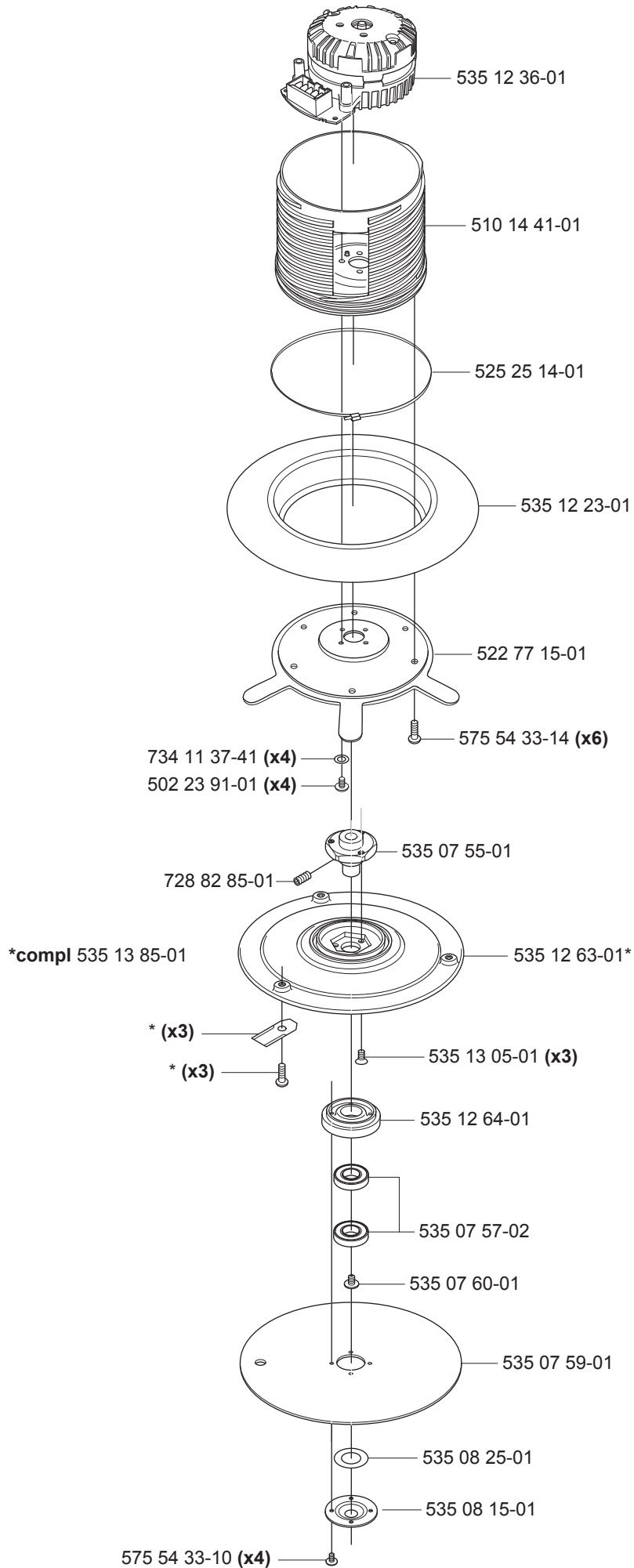
B



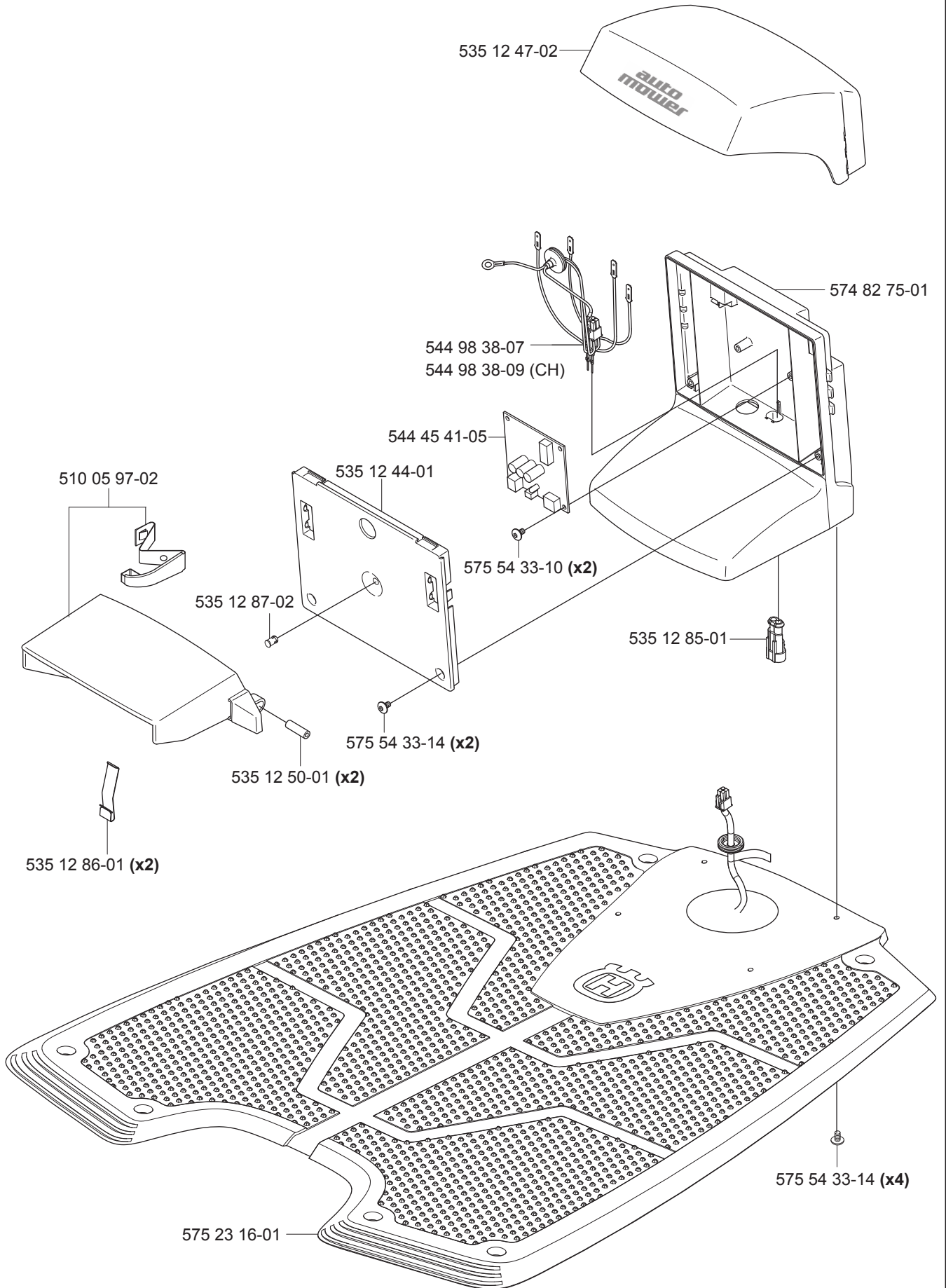
C



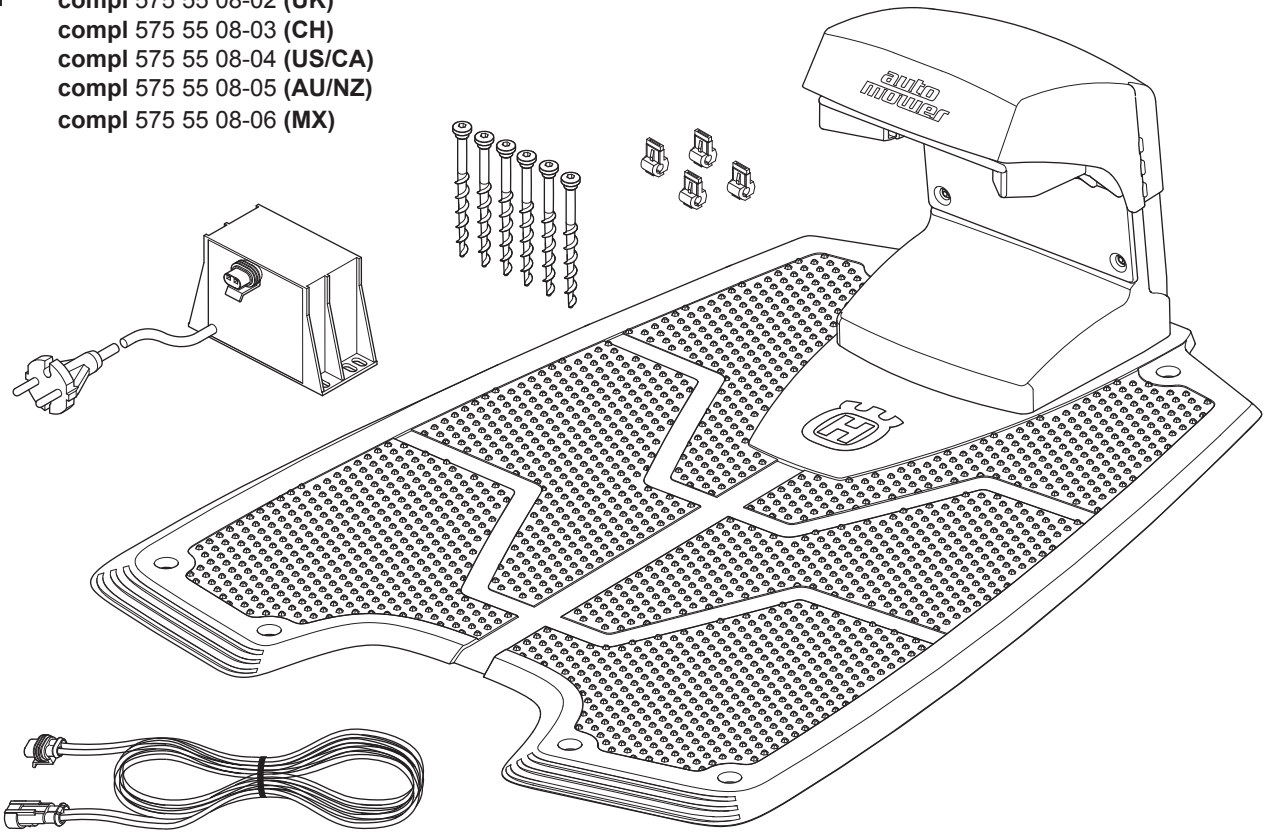
D



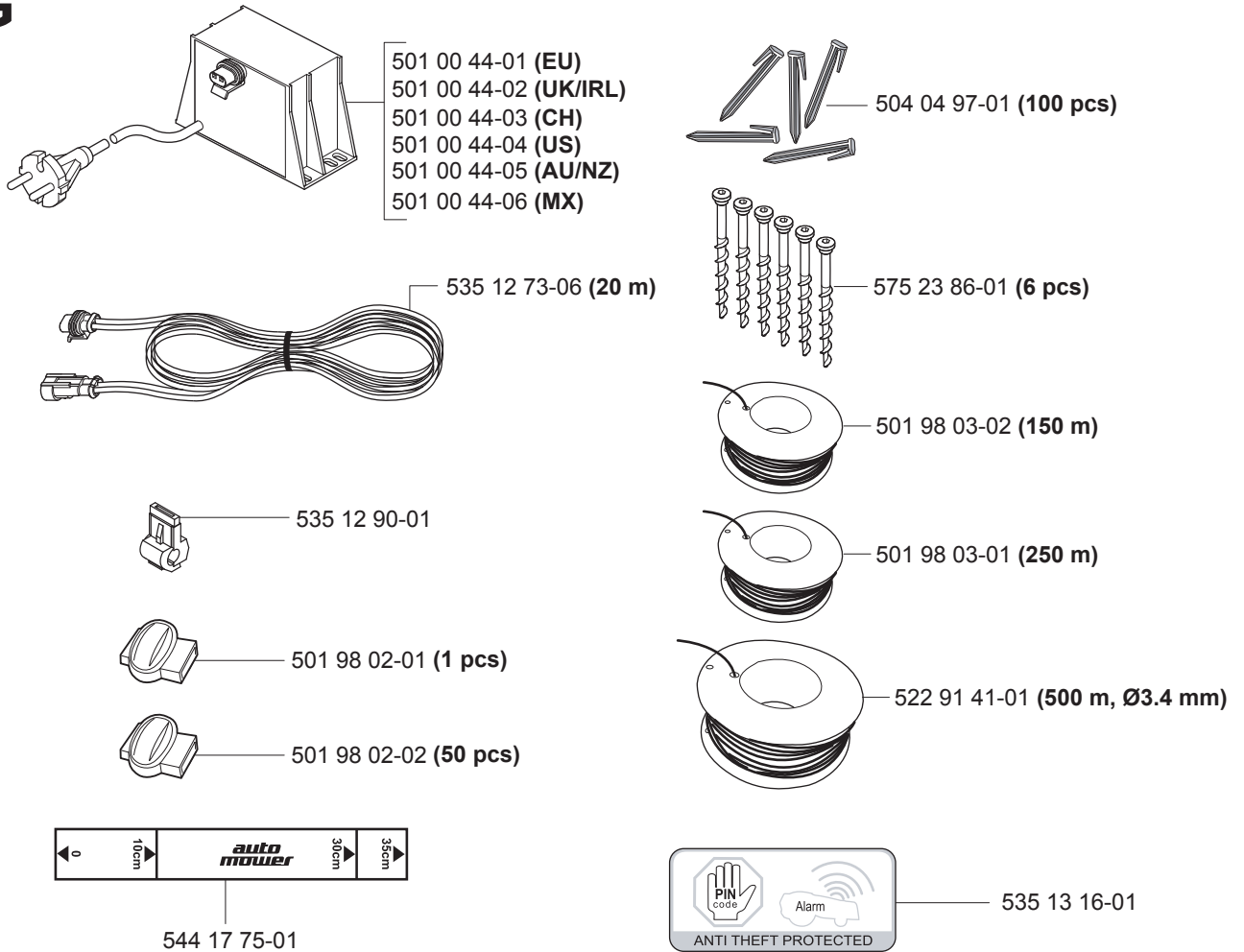
E compl 574 90 20-02
compl 574 90 20-05 (CH)



- F** compl 575 55 08-01 (EU)
 compl 575 55 08-02 (UK)
 compl 575 55 08-03 (CH)
 compl 575 55 08-04 (US/CA)
 compl 575 55 08-05 (AU/NZ)
 compl 575 55 08-06 (MX)



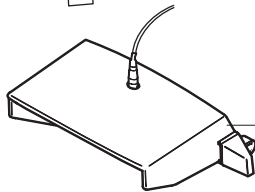
G



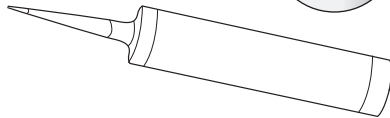
H Accessories Zubehöre Accessoires Accesorios Tillbehör



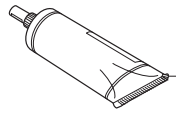
535 13 23-02
Service cable (USB)



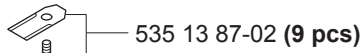
522 73 65-01
PIN code transfer unit



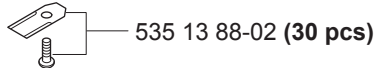
577 85 81-01
Autocheck EXP DVD



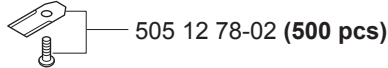
578 05 13-01 (85 ml)



535 13 87-02 (9 pcs)



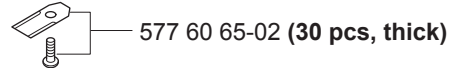
535 13 88-02 (30 pcs)



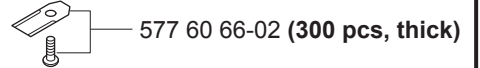
505 12 78-02 (500 pcs)



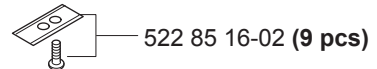
577 60 64-02 (9 pcs, thick)



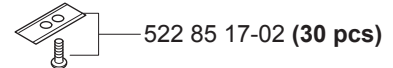
577 60 65-02 (30 pcs, thick)



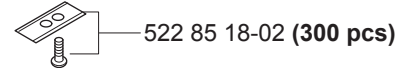
577 60 66-02 (300 pcs, thick)



522 85 16-02 (9 pcs)

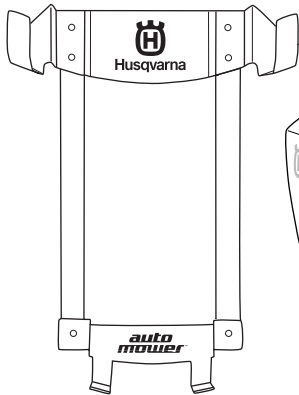
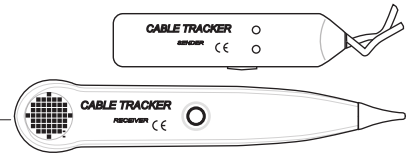


522 85 17-02 (30 pcs)



522 85 18-02 (300 pcs)

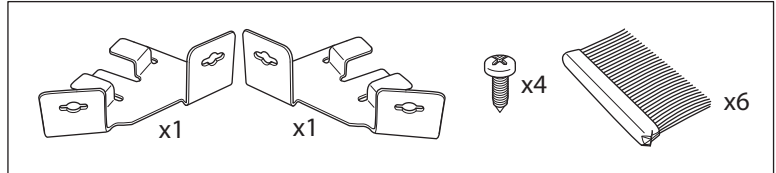
577 60 68-01
Interruption detector



504 82 13-01



522 42 58-01
Signal booster

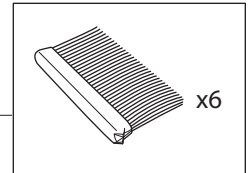


505 13 27-01

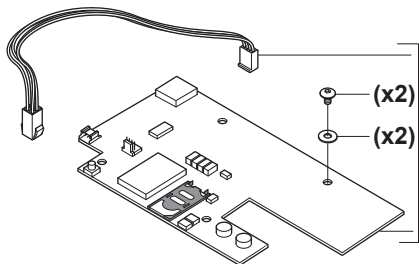
505 13 28-01



522 91 67-01

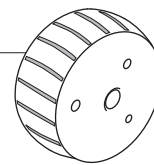


522 51 64-01 GSM module
(not for North America)



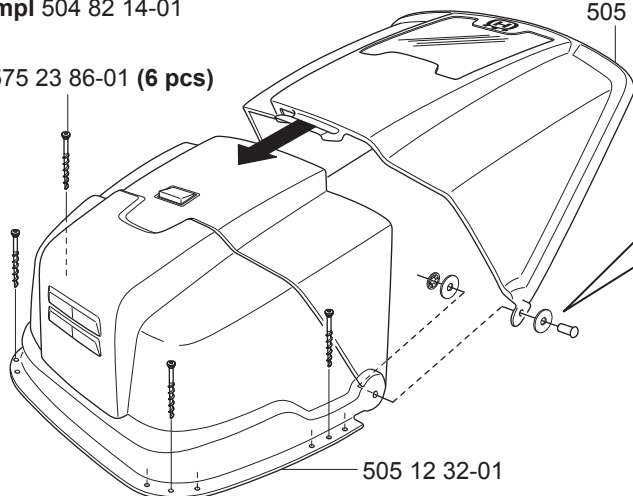
575 24 24-01 GPS module

575 23 17-02
Heavy wheel (400g)



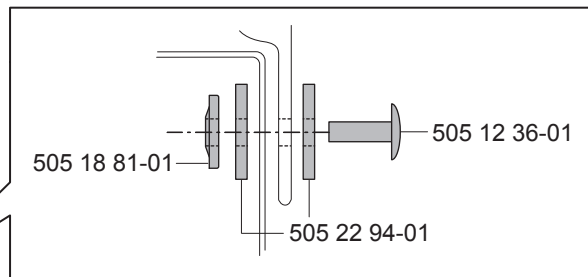
compl 504 82 14-01

575 23 86-01 (6 pcs)



505 12 32-01

505 25 07-01



505 18 81-01

505 12 36-01

505 22 94-01