

AUTOMOWER[®] 220 AC

2009

Spare parts

Ersatzteile

Pièces détachées

Reserve onderdelen

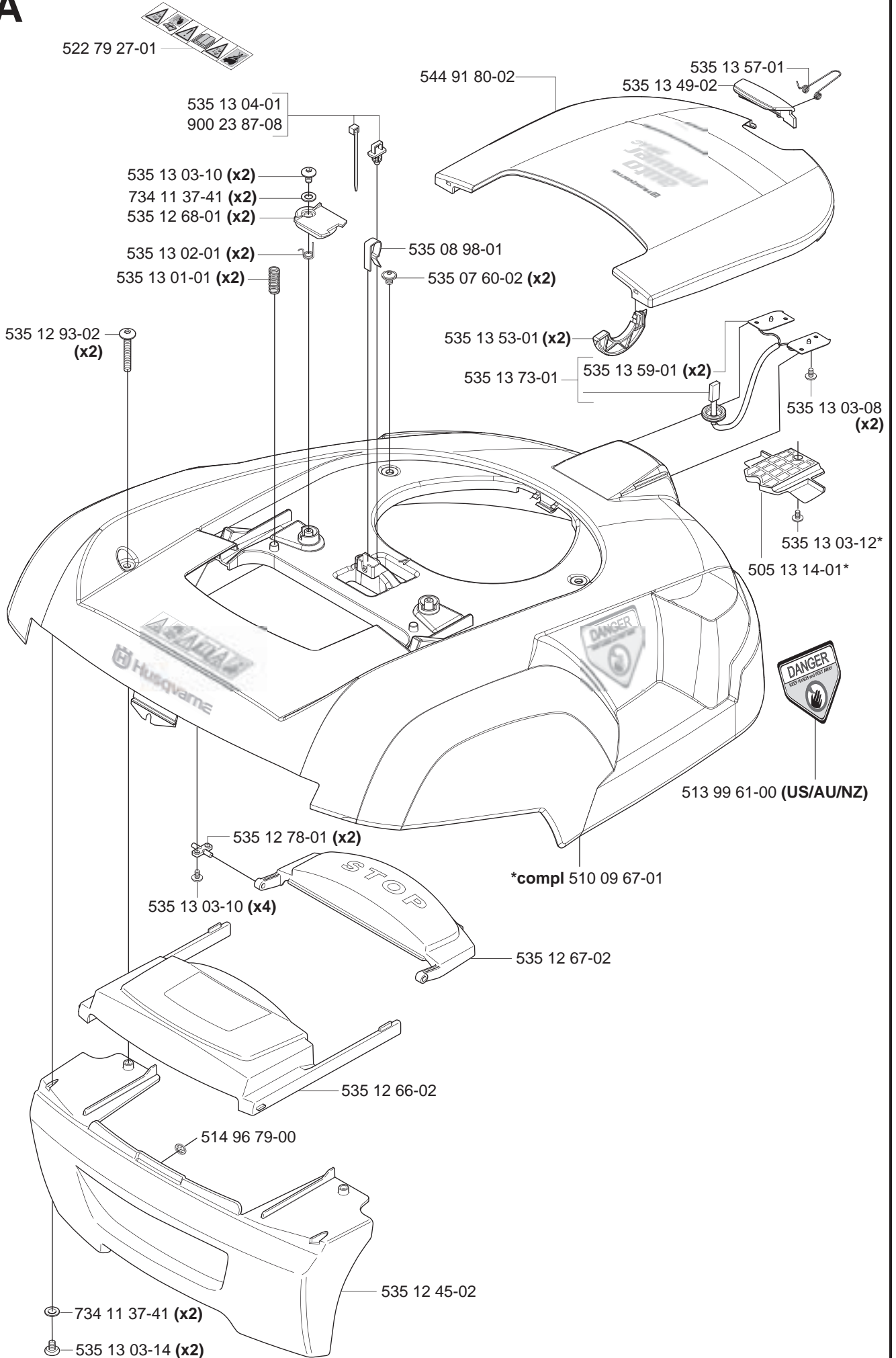
Repuestos

Reservdelar

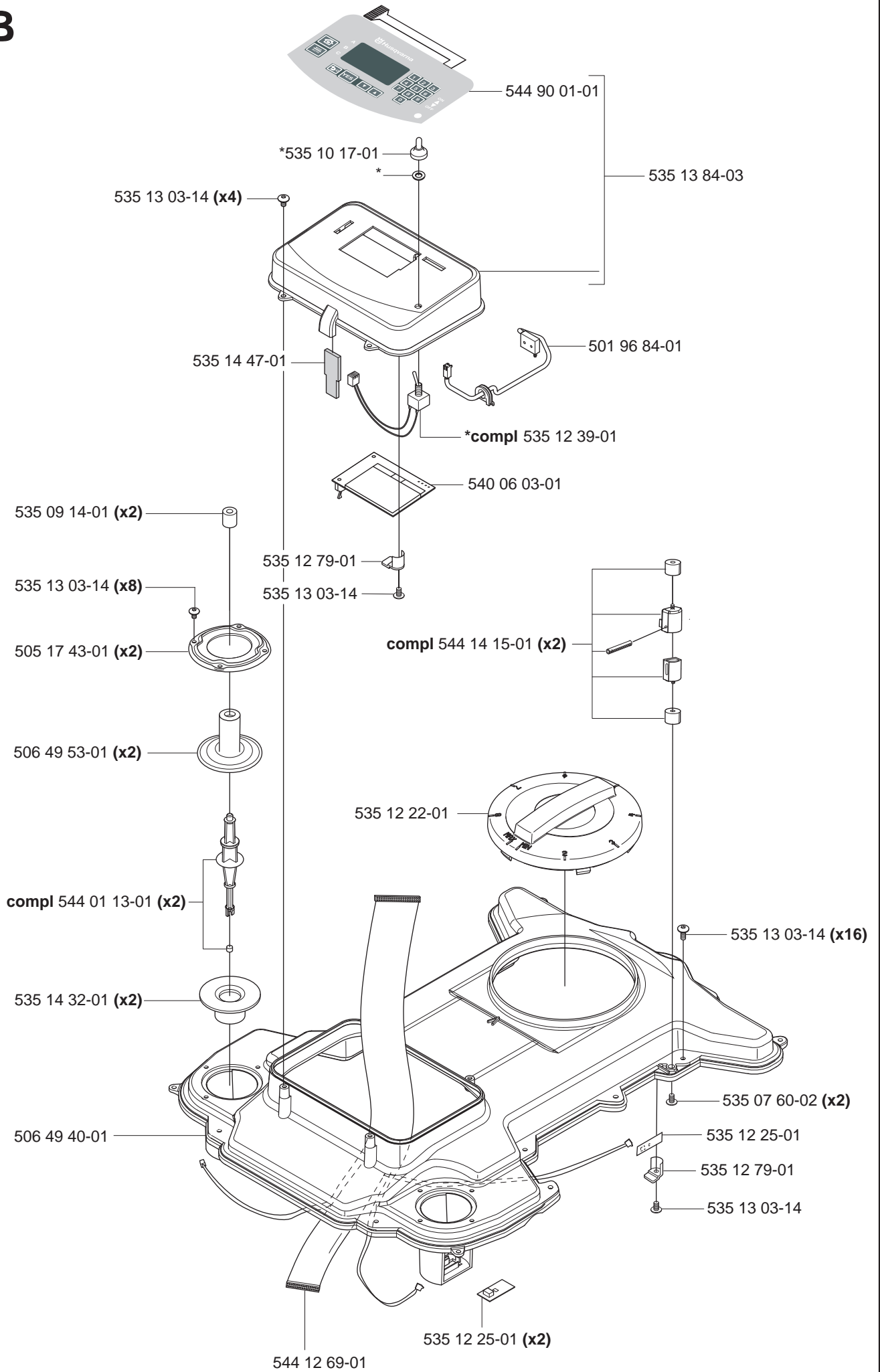
PART NUMBER	SQUARE	NOTE	PART NUMBER	SQUARE	NOTE	PART NUMBER	SQUARE	NOTE
115 13 02-XX	I		522 85 18-02	H		535 13 02-01	A	
115 13 03-XX	I		522 91 41-01	G		535 13 03-08	A	
115 13 04-XX	I		522 91 67-01	H		535 13 03-10	ACDE	
115 13 05-XX	I		523 34 37-01	C		535 13 03-12	A	
115 09 80-XX	I		525 25 14-01	C		535 13 03-14	ABCE	
115 09 81-XX	I		535 07 55-01	D		535 13 03-16	C	
115 09 82-XX	I		535 07 57-02	D		535 13 05-01	D	
501 00 18-01	H		535 07 59-01	D		535 13 16-01	G	
501 00 37-03	C		535 07 60-01	D		535 13 23-02	H	
501 00 42-01	C	N	535 07 60-02	AB		535 13 49-02	A	
501 96 84-01	B		535 08 15-01	D		535 13 50-02	C	
501 98 02-01	G		535 08 25-01	D		535 13 53-01	A	
501 98 02-02	G		535 08 76-01	C		535 13 57-01	A	
501 98 03-01	G		535 08 78-02	C		535 13 59-01	A	
501 98 03-02	G		535 08 89-01	G		535 13 60-03	C	
502 23 91-01	D		535 08 98-01	A		535 13 73-01	A	
502 49 81-01	C		535 09 14-01	B		535 13 79-02	E	
502 63 36-01	C		535 10 17-01	B		535 13 84-03	B	
502 85 96-01	C	N	535 12 09-01	C		535 13 85-01	D	
504 02 16-01	C	N	535 12 20-01	D		535 13 87-01	H	
504 04 97-01	G		535 12 21-02	C		535 13 87-02	H	
504 05 36-01	E		535 12 22-01	B		535 13 88-01	H	
504 20 08-01	C		535 12 23-01	D		535 13 88-02	H	
504 82 13-01	H		535 12 24-01	C		535 13 92-02	C	
504 82 14-01	H		535 12 25-01	B		535 13 94-01	C	
505 12 32-01	H		535 12 31-02	C		535 13 96-01	C	
505 12 36-01	H		535 12 36-01	D		535 14 00-02	E	
505 12 37-01	H		535 12 37-01	G		535 14 12-01	H	
505 12 78-01	H		535 12 37-02	G		535 14 12-02	H	
505 12 78-02	H		535 12 37-03	G		535 14 27-07	H	
505 13 14-01	A		535 12 37-04	G		535 14 32-01	B	
505 13 27-01	H		535 12 37-05	G		535 14 47-01	B	
505 13 28-01	H		535 12 37-06	G	N	540 05 64-01	C	
505 17 43-01	B		535 12 39-01	B		540 06 03-01	B	
505 18 81-01	H		535 12 43-03	E		544 01 13-01	B	
505 22 94-01	H		535 12 44-01	E		544 12 69-01	B	
505 25 07-01	H		535 12 45-02	A		544 14 15-01	B	
505 34 77-01	E		535 12 47-02	E		544 17 75-01	G	
506 49 40-01	B		535 12 50-01	E		544 45 41-02	E	N
506 49 43-02	C		535 12 52-01	C		544 90 01-01	B	
506 49 43-03	C	N	535 12 57-01	C		544 90 52-02	C	
506 49 53-01	B		535 12 63-01	D		544 90 68-02	C	
510 09 67-01	A		535 12 64-01	D		544 90 78-01	C	
510 20 99-01	H		535 12 66-02	A		544 91 80-02	A	
513 99 61-00	A		535 12 67-02	A		544 98 07-01	F	
514 96 79-00	A		535 12 68-01	A		544 98 07-02	F	
521 93 31-01	C		535 12 73-05	G		544 98 07-03	F	
522 42 58-01	H		535 12 78-01	A		544 98 07-04	F	
522 50 48-01	C		535 12 79-01	B		544 98 07-05	F	
522 50 50-01	C		535 12 85-01	E		544 98 07-06	F	N
522 66 45-01	C		535 12 86-01	E		544 98 38-03	E	
522 73 66-01	C		535 12 87-02	E		728 82 85-01	D	
522 79 27-01	A		535 12 90-01	G		735 58 41-09	C	
522 85 16-02	H		535 12 93-02	A		734 11 37-41	AD	
522 85 17-02	H		535 13 01-01	A		900 23 87-08	A	

N = New part, Neues teil, Nouvelle piece, Nueva pieza, Ny detalj

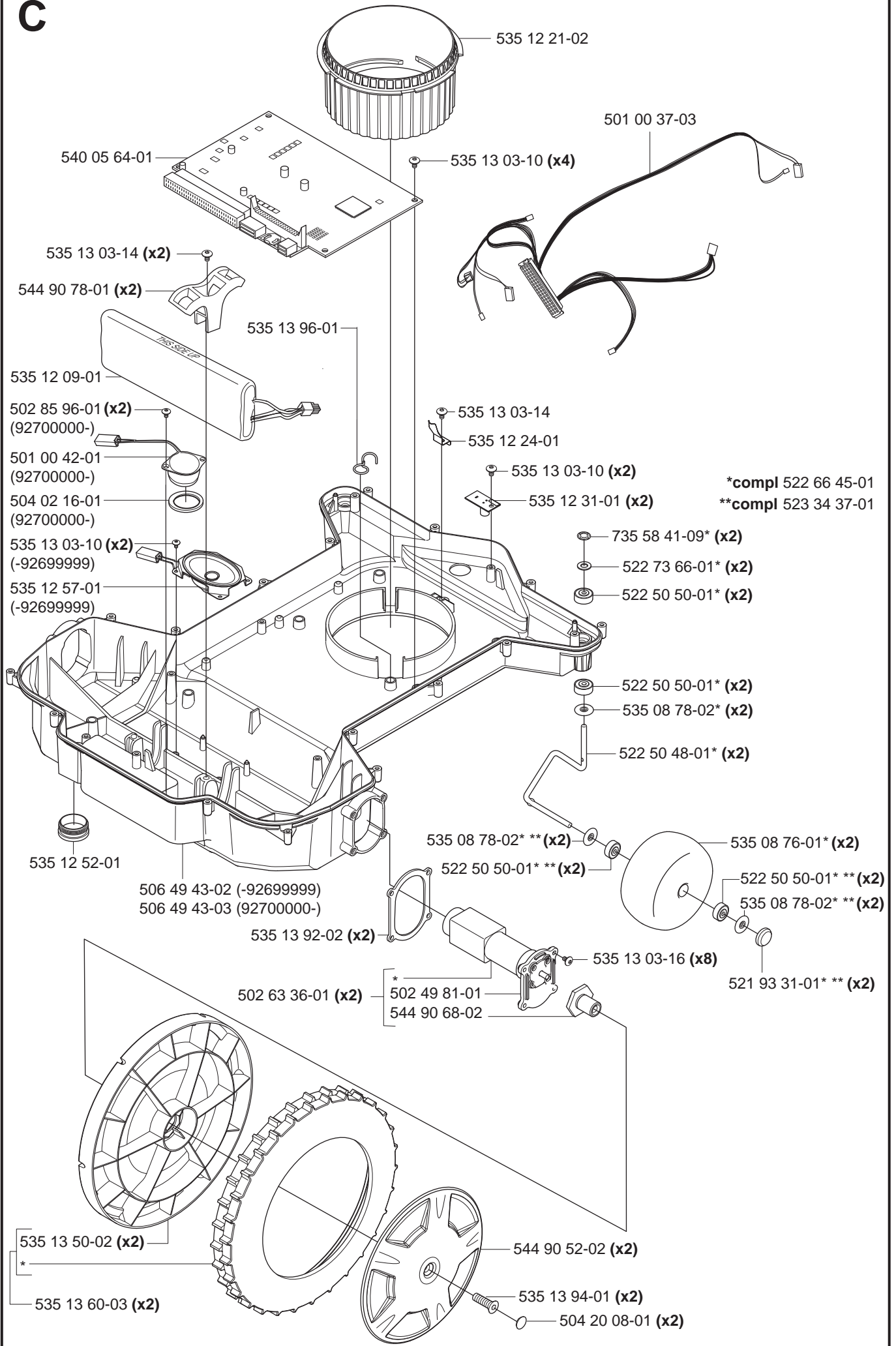
A



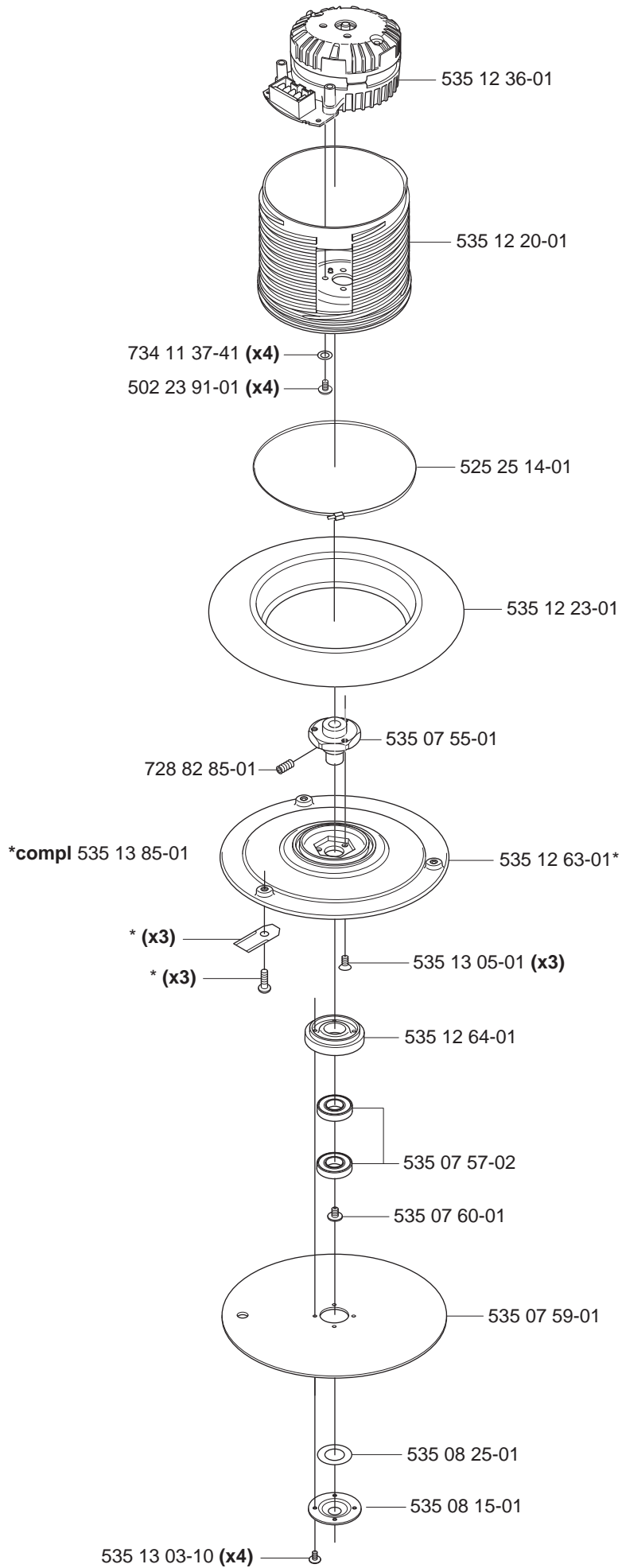
B

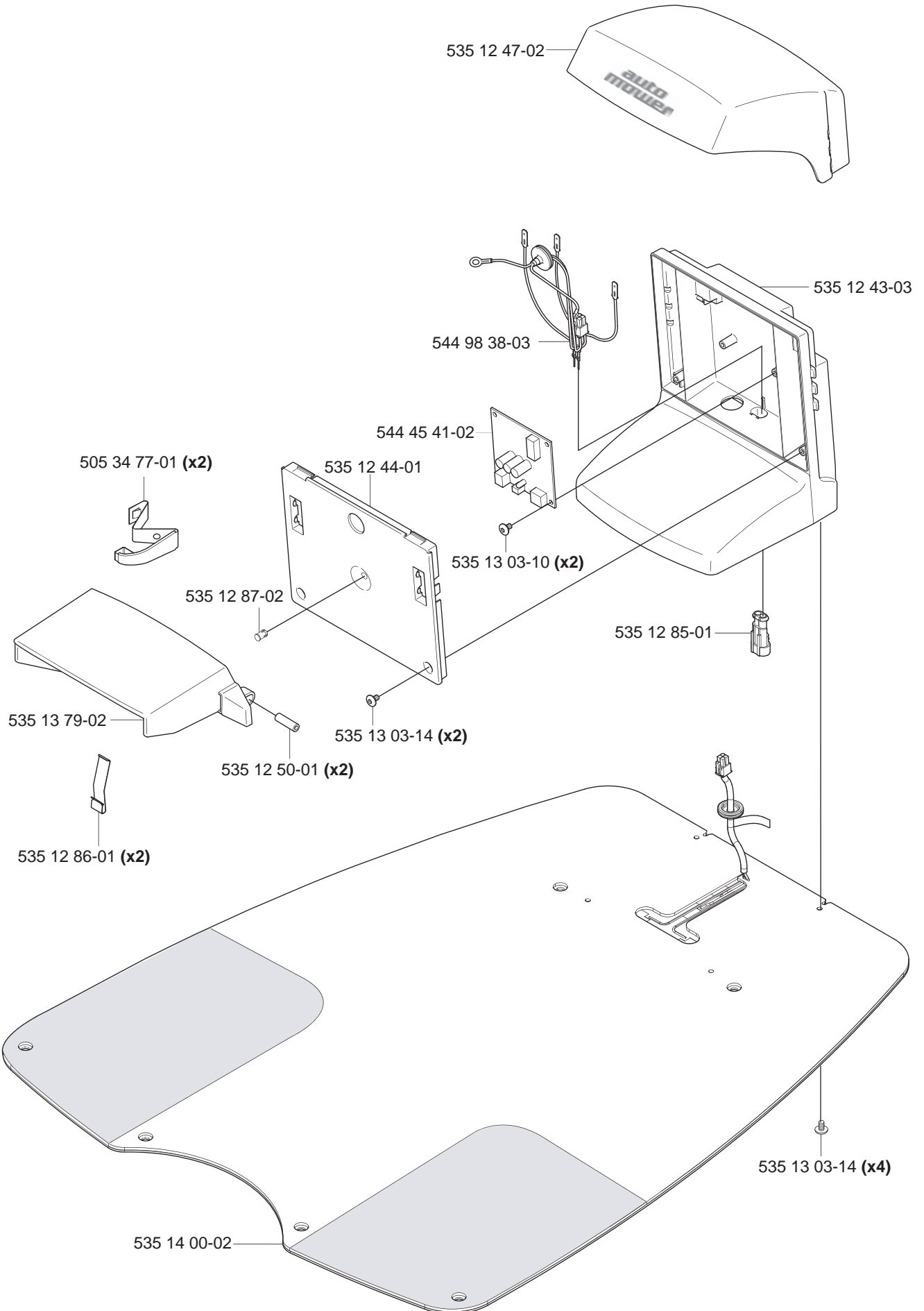


C

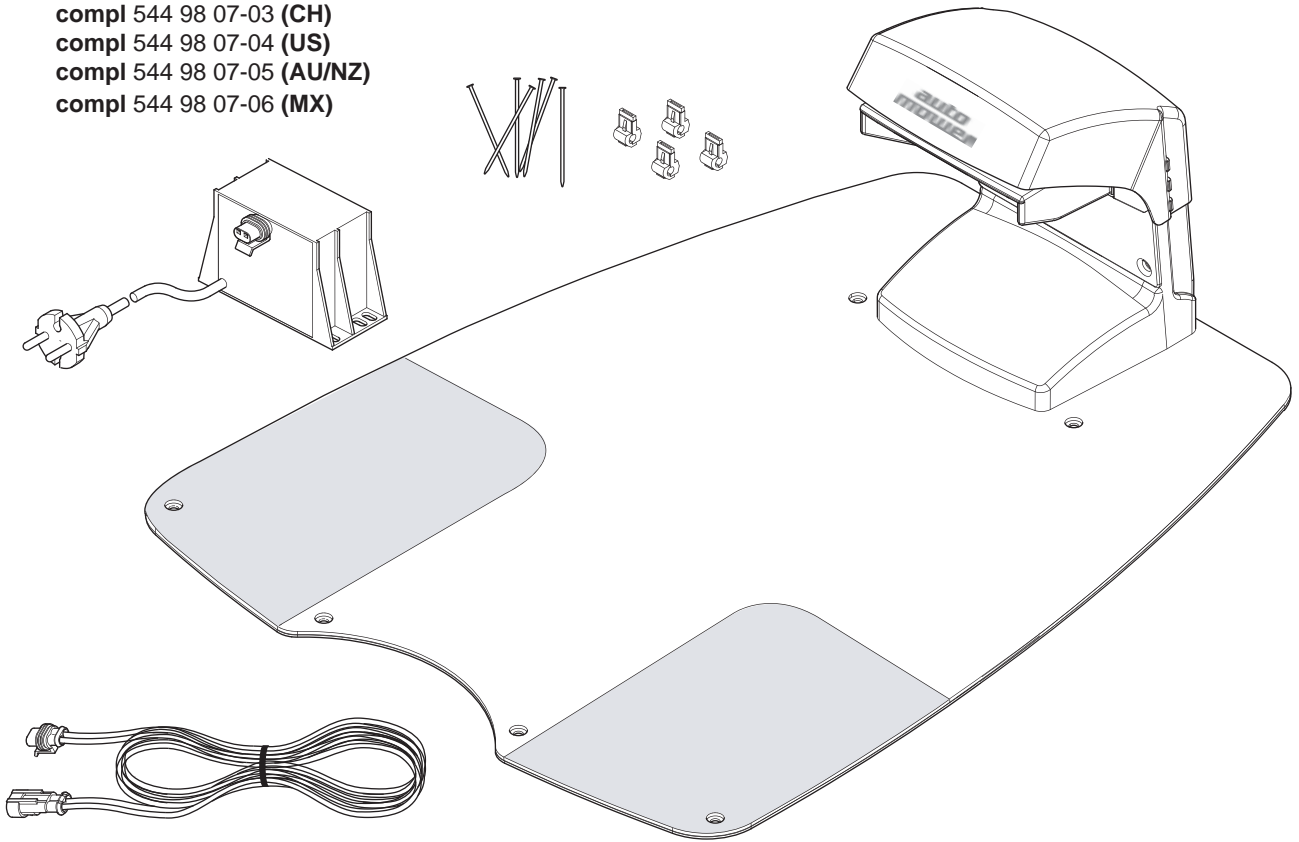


D

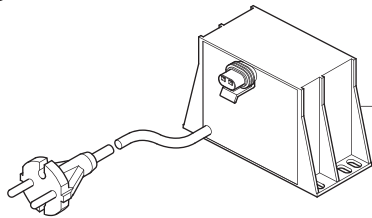




- F** compl 544 98 07-01 (EU)
 compl 544 98 07-02 (UK)
 compl 544 98 07-03 (CH)
 compl 544 98 07-04 (US)
 compl 544 98 07-05 (AU/NZ)
 compl 544 98 07-06 (MX)



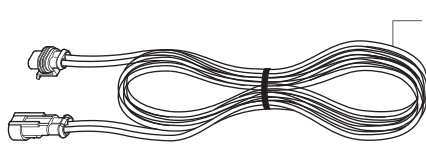
G



- 535 12 37-01 (EU)
 535 12 37-02 (UK+IRL)
 535 12 37-03 (CH)
 535 12 37-04 (US)
 535 12 37-05 (AU/NZ)
 535 12 37-06 (MX)



504 04 97-01 (100 pcs)



535 12 73-05 (20 m)



535 08 89-01 (6 pcs)



535 12 90-01



501 98 03-02 (150 m)



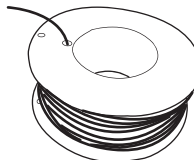
501 98 02-01 (1 pcs)



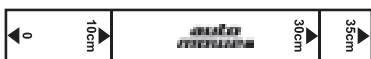
501 98 03-01 (250 m)



501 98 02-02 (50 pcs)



522 91 41-01 (500 m, Ø3.4 mm)





544 17 75-01





535 13 16-01

H Accessories
Zubehöre
Accessoires
Accesorios
Tillbehör


 535 13 87-01 (9 pcs Original)

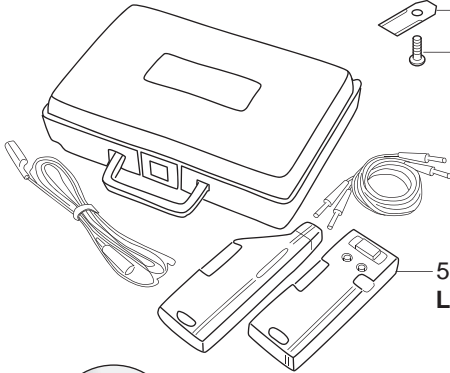
 535 13 87-02 (9 pcs)

 535 13 88-01 (30 pcs Original)

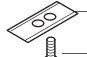
 535 13 88-02 (30 pcs)

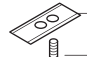
 505 12 78-01 (500 pcs Original)

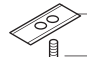
 505 12 78-02 (500 pcs)

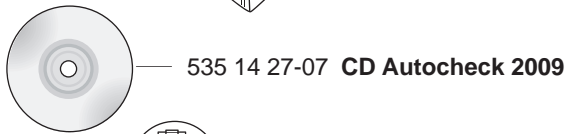


501 00 18-01
Loop wire interruption tester

 522 85 16-02 (9 pcs)

 522 85 17-02 (30 pcs)

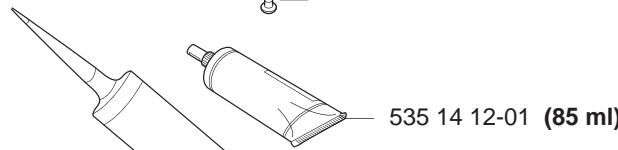
 522 85 18-02 (300 pcs)



535 14 27-07 **CD Autocheck 2009**

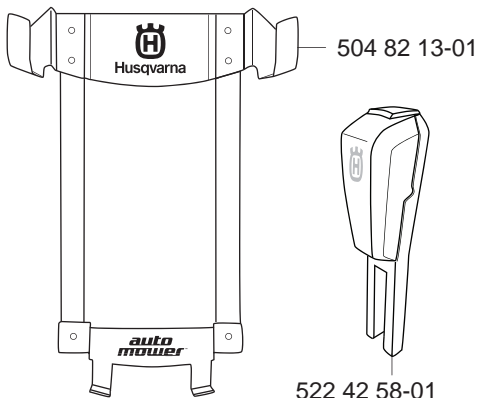


535 13 23-02 **Automower-PC Cable (USB)**



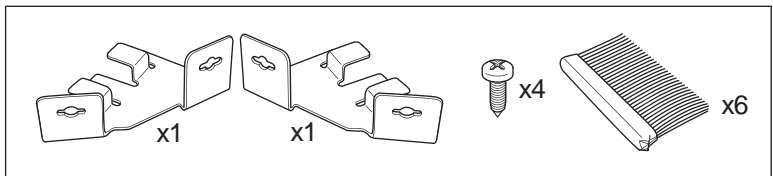
535 14 12-01 (85 ml)

535 14 12-02 (300 ml)



504 82 13-01

522 42 58-01
Signal booster

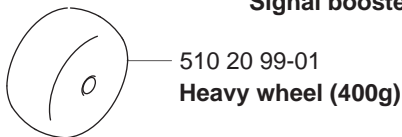


x1

x1

x4

x6

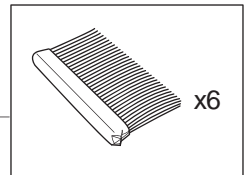


510 20 99-01
Heavy wheel (400g)



505 13 27-01

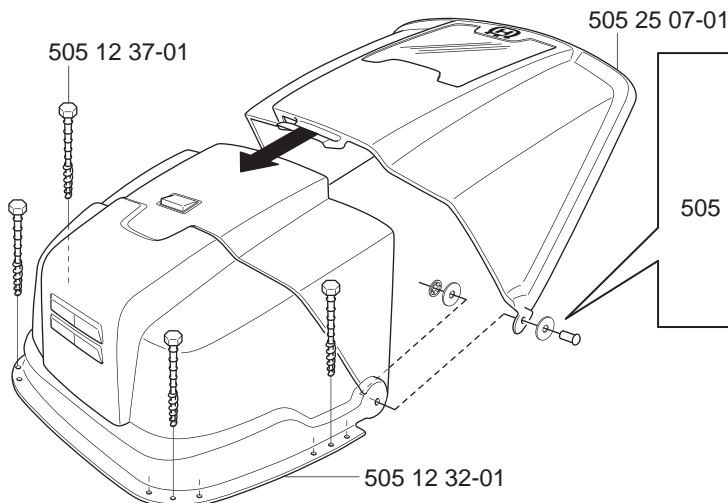
505 13 28-01



x6

522 91 67-01

compl 504 82 14-01



505 12 37-01

505 25 07-01

505 18 81-01

505 12 36-01

505 22 94-01

505 12 32-01



Quick Guide 220 AC & 230 ACX	115 13 05-XX	(US is -26)
Quick Guide 210 C	115 13 03-XX	(US is -26)
Quick Guide Solar Hybrid	115 09 82-XX	(US is -26)
Owner's Manual 220 AC & 230 ACX	115 13 04-XX	
Owner's Manual 210 C	115 13 02-XX	
Owner's Manual Solar Hybrid	115 09 81-XX	
Technical Handbook 2008	115 09 80-XX	

- 01 Svenska
 - 06 Dansk
 - 11 Soumi
 - 21 Norsk
 - 26 GB English
 - 31 Français
 - 32 CA Français
 - 36 Nederlands
 - 41 Italiano
 - 46 Español
 - 51 Deutsch
 - 56 Русский
 - 58 Magyar
 - 61 Polski
 - 63 Eesti
 - 64 Latviski
 - 65 Lietuvių
 - 68 Slovák
 - 84 Slovenčina
 - 90 Český
 - 95 US English
 - 96 US Español
-